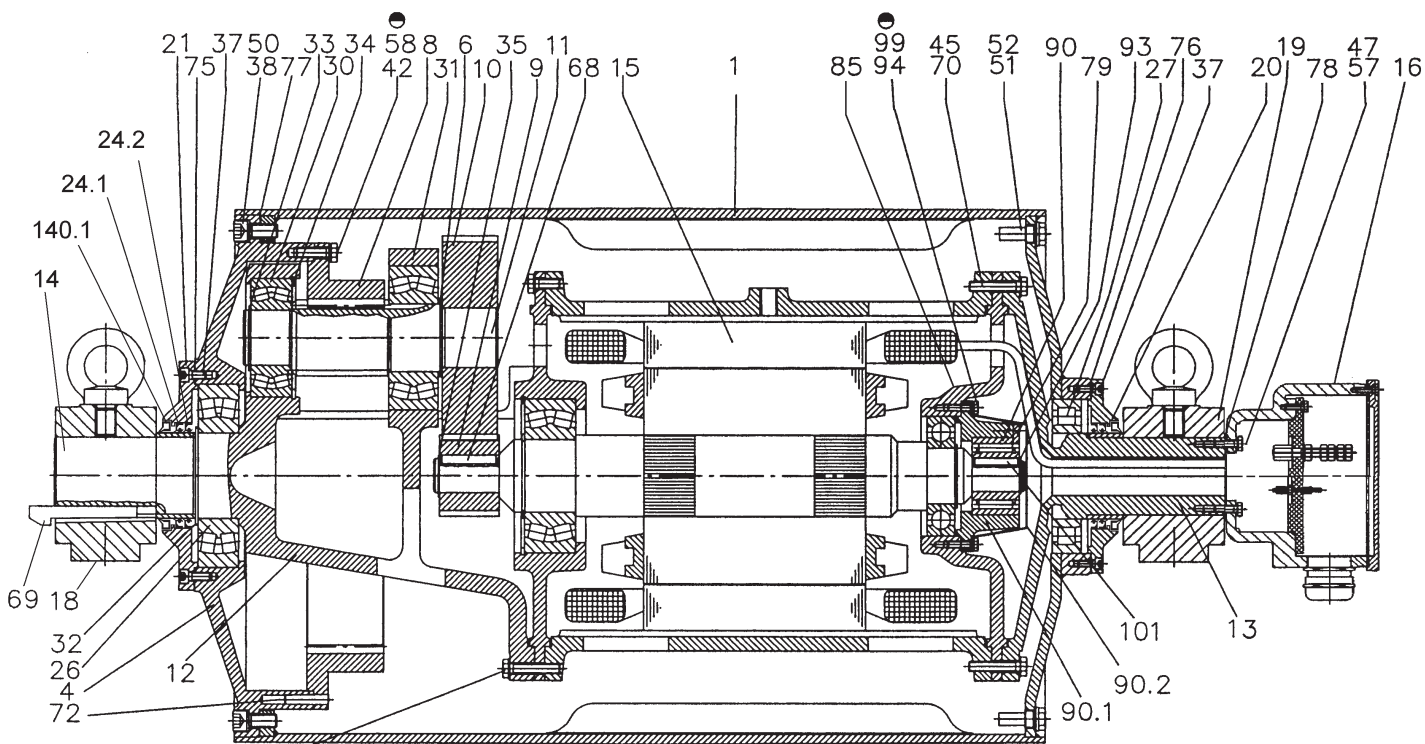




# Motorized Pulley 630M & 630H, Ø 24.80 in. (630 mm)

## Spare parts list and sectional drawings

Pos.	Description	Pos.	Description	Pos.	Description
1	Shell	24.4	Shaft oil seal inner (lab option)	76	Gasket
4	End housing with geared rim	26	Bearing	77	Gasket
6	Distance washer (630H)	27	Bearing	78	Gasket
8	Geared rim	30	Bearing	79	Holding plate
9	Rotor pinion	31	Bearing	85	Motor flange for backstop/brake
10	Input wheel	32	Retaining ring	90	Backstop
11	Output pinion	33	Retaining ring	90.1	Backstop housing
12	Gear box including rear shaft	34	Retaining ring	90.2	Backstop cover
13	Front shaft	35	Retaining ring	93	Retaining ring
14	Rear shaft	37	Hexagon socket screw	94	Hexagon head screw
15	Stator complete	38	Hexagon socket screw	99	Spring washer
15.1	Rotor	42	Hexagon head screw	101	Key
16	Terminal box complete	44	Hexagon head screw	123	Grease nipple
17	Nipple (630M only)	45	Hexagon head screw	130	Brake shaft
18	Mounting bracket rear side	47	Hexagon head screw	131	Mounting bracket bearing cover
18.1	Mtg bracket rear side (lab option)	50	Washer	132	Roller bearing
19	Mounting bracket front side	51	Gasket	133	Brake shaft seal
19.1	Mtg bracket front side (lab option)	52	Magnetic oil plug	134	Brake shaft seal
20	Cover ñ front side	57	Washer	135	Retaining ring
20.1	Cover with labyrinth groove	58	Spring washer	136	Bolts - bearing cover
21	Cover ñ rear side	68	Key	137	Spring lock washer
21.1	Cover with labyrinth groove	69	Gib key	138	Key
23	Rear flange	70	Waved spring washer	139	Retaining ring
24.1	Shaft oil seal outer	72	Grooved pin	140	Key
24.2	Shaft oil seal inner	73	Set screw	140.1	Deflection seal (future)
24.3	Shaft oil seal outer (lab option)	75	Gasket		



● 44, 70

Backstop Option

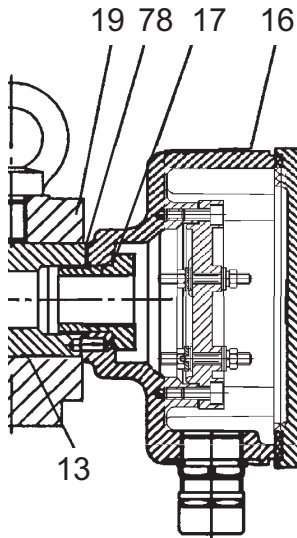
● bolt fitted with glue  
Omnifit or Loctite



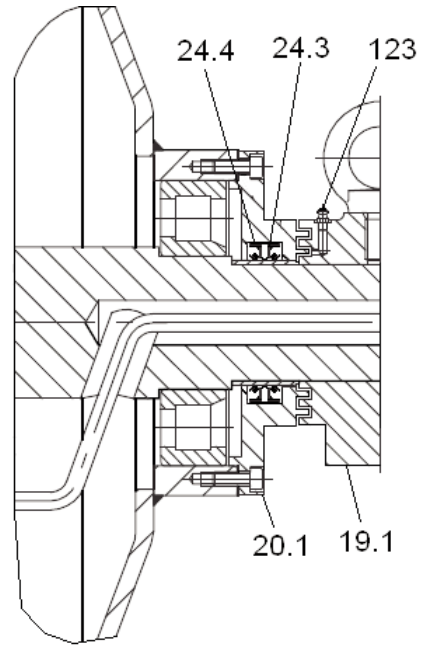
# Motorized Pulley 630M & 630H, Ø 24.80 in. (630 mm)

## Sectional drawings

Terminal Box  
(valid for 630M)



Labyrinth Seal Option



External Brake Shaft Option

