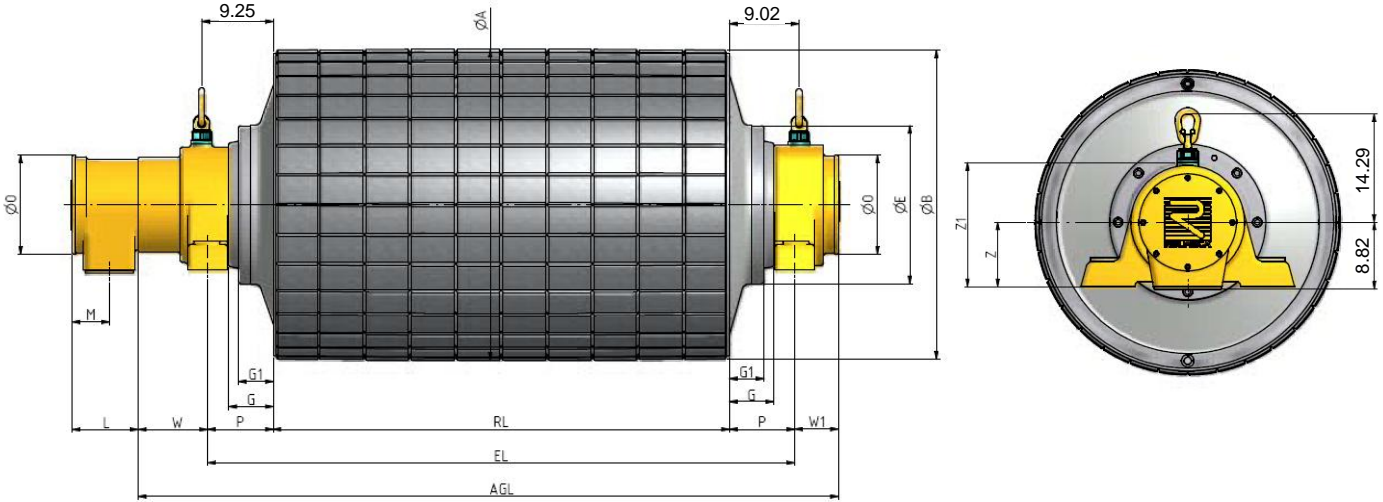




# Motorized Pulley 1000HD, Ø 40.16 in. (1020 mm)

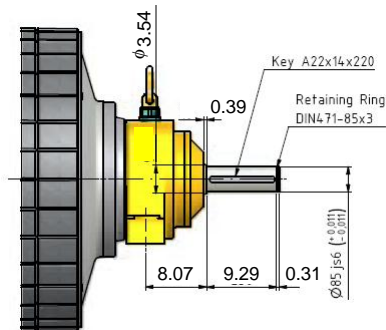


## Motorized Pulley Dimensions

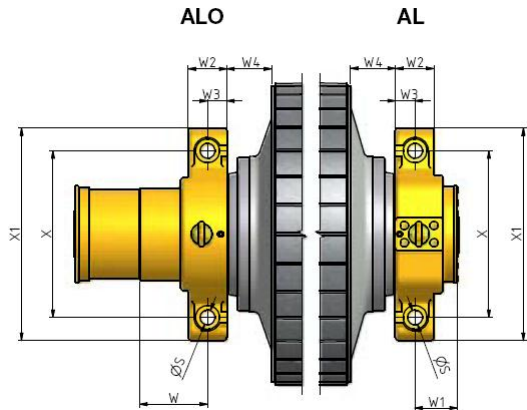
Type	A <sup>1</sup> in	B <sup>2</sup> in	D <sup>3</sup> in	E in	G in	L in	M in	O in	P in	W in	W1 in	W4 in
1000HD	40.16	39.92	7.99	20.47	5.71	8.58	4.80	12.79	8.46	8.98	5.63	5.91

- 1 A dimension is outer diameter of lagged pulley shell at pulley centerline.
- 2 B dimension is outer diameter of lagged pulley shell at each end of shell.
- 3 D dimension is shaft diameter.

## Standard External Brake Shaft Dimension



\* All dimensions are in imperial units, except for brake shaft diameter, key, and retaining ring, which are metric.



## Bracket Dimensions

Type*	S in	W2 in	W3 in	X in	X1 in	Z in	Z1 in
AL	1.97	5.12	2.56	22.05	28.23	8.46	16.22
ALO	1.97	5.12	2.56	22.05	28.23	8.46	16.22

\* AL is drive side bracket and is locked against rotation.  
ALO is non-drive side bracket and is free to rotate.