

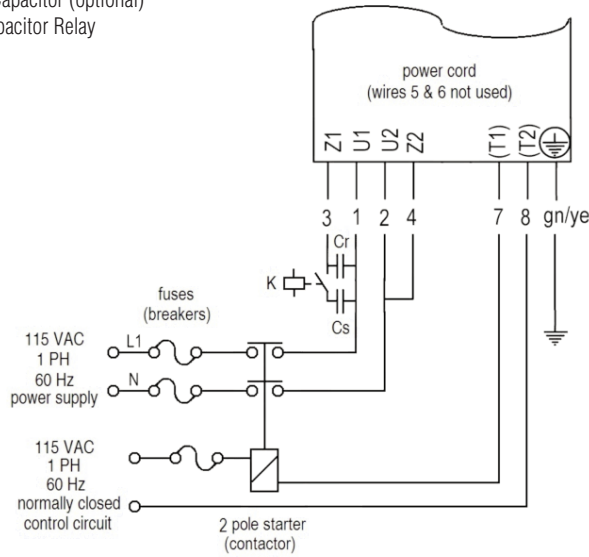


138LS Connection Diagrams

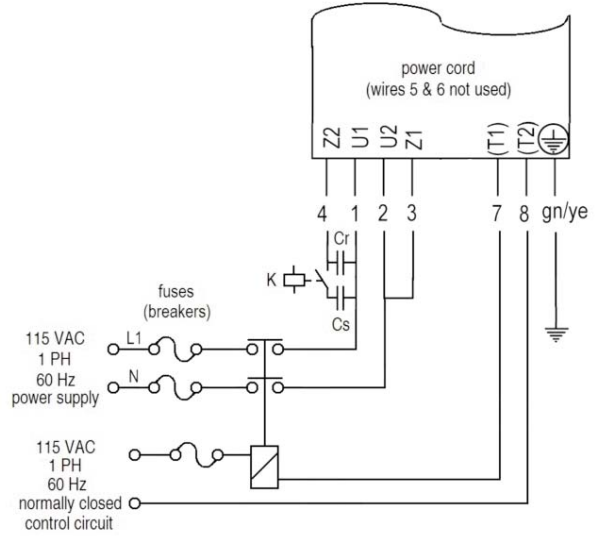
Power Cord (9 wire) - 1 Phase - US Motor

Code:
 T1 & T2: Thermal protection
 B1 & B2: Internal brake
 Cr: Run Capacitor
 Cs: Start Capacitor (optional)
 K: Start Capacitor Relay

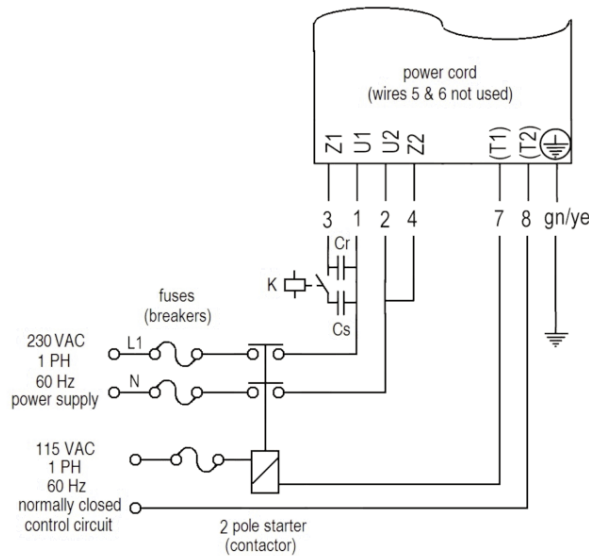
Low Voltage - Clockwise Rotation



Low Voltage - Counterclockwise Rotation



High Voltage - Clockwise Rotation



High Voltage - Counterclockwise Rotation

