



113LS Connection Diagrams

Terminal Box - 3 Phase - European Motor

Code:

T1 & T2: Thermal protection

B1 & B2: internal brake

rd - red

bn - brown

bk - black

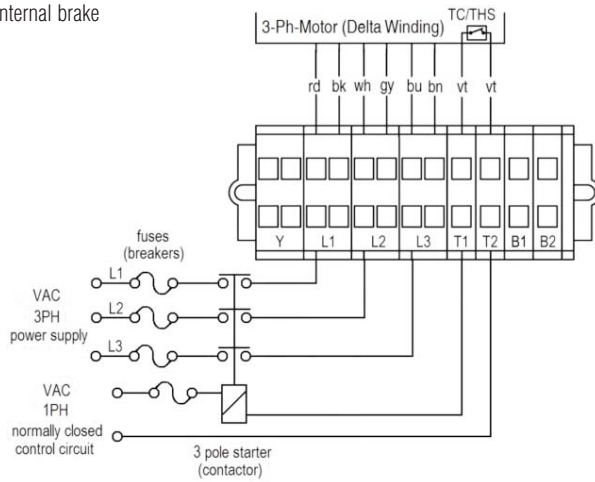
gy - gray

bu - blue

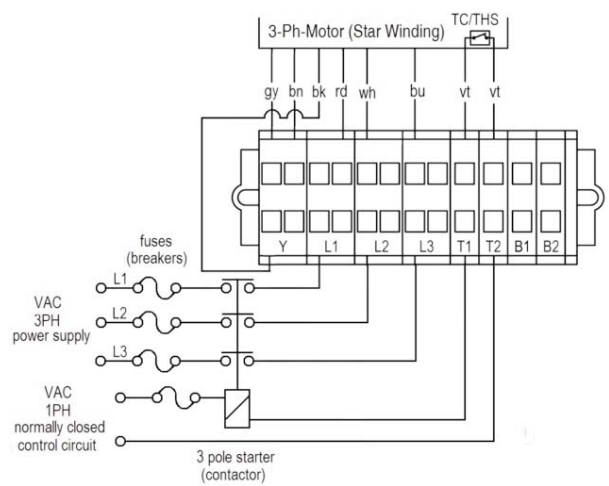
vt - violet

wh - white

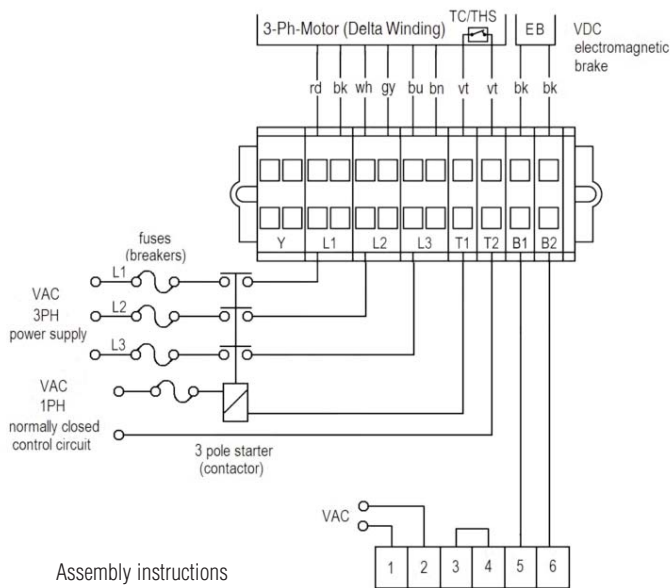
Low Voltage



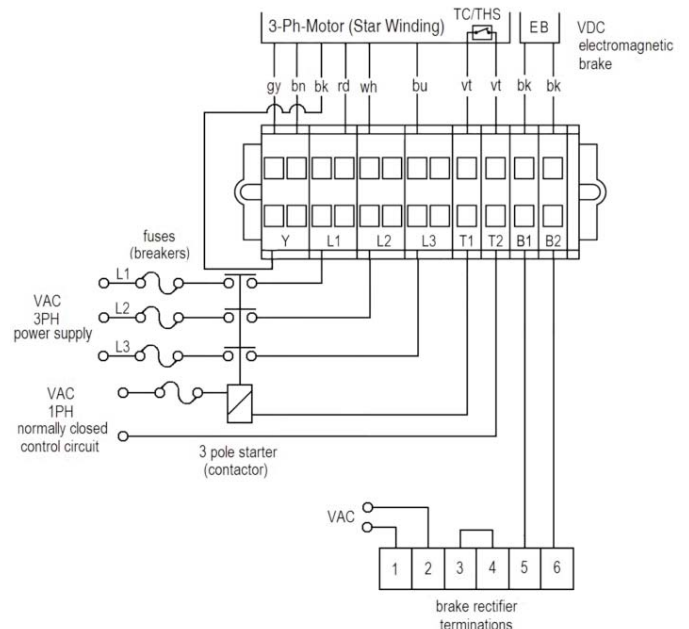
High Voltage



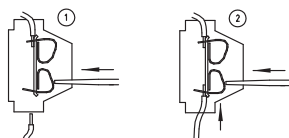
Low Voltage With Brake Option



High Voltage With Brake Option



Assembly instructions



Push down clamp

Push in wire

NOTE:

Brake rectifier is shown with jumper across terminals 3 & 4. This enables AC power supply to rectifier to stop and start brake. Brake responsiveness may be improved by connecting an external switch to terminals 3 & 4.