



Motorized Pulley 630M & 630H, Ø 630 mm

To match your requirements in diameter 630 mm, our product range offers two different loading performances for your **BULK** applications:

- 630M and
- 630H

You have a choice.

Therefore, it is important to notice the differences to choose the right type of pulley for the right application based on estimated belt tension (radial load) = $T_1 + T_2$. The actual radial load **MUST** be **LESS** than the max. allowable radial load shown in this catalogue.

Be aware of increased belt tensions using multi-ply thick heavy belts and/or larger belt widths.

If you do not find the belt tension needed in this diameter, you might have to choose a larger one.

Except for the fact that motor/gearbox of 630M originates from 500H, both types – 630M and 630H – are designed for **HEAVY DUTY** applications. They provide the necessary torque and belt pull.

Both pulleys are designed for tough, irregular, extreme and brutal working conditions.

STANDARD SPECIFICATION of Motorized Pulley

- Crowned mild steel Ø 630 mm steel shell painted yellow - min. layer of 60 µm
- Bolted powder coated cast iron bearing housings and covers, all painted yellow – min. layer of 60 µm
- Mild steel shafts
- Shaft sealing system - degree of protection IP66/67 (EN60034-5)
- Cast iron terminal box painted yellow – min. layer of 60 µm
- 3-phase induction motors with thermal protector
- Voltage: Dual voltage (Delta/Star). Most common voltages available. Please specify!
- Motor winding insulation Class F
- Dynamically balanced rotor
- Two oil plugs each fitted with a magnet to filter the oil
- Yellow painted cast steel mounting brackets – one type AL & one type ALO
- Oil change recommended every 10,000 operational hours
- Maximum RL – Please inquire!
- Non standard RL's available
- To be used in horizontal positions ±5 degree only!

Please note:

- Special speeds available on request.
- Environmental considerations: page 72
- Technical precautions: pages 76-86
- Optional extras: page 61 and back cover
- Connection Diagrams: page 96.

SEMI-RUST-FREE options

TS11N

- Painted mild steel shell – min. layer of 120 µm
- Painted cast iron covers – min. layer of 120 µm
- Stainless steel covers with labyrinth grooves – AISI 304 range
- Nitrided shaft sleeves
- Zinc-plated oil plugs – each with magnet
- Zinc-plated exterior bolts
- Shaft sealing system – degree of protection IP66/67 (EN60034-5)
- Painted terminal box – min. layer of 120 µm
- Nickel plated mounting brackets with labyrinth grooves

TS12N

- As TS11, but without re-greasable seals.
- Covers - standard

Please note:

- FDA & USDA food grade recognized oil and grease are NOT included in TS11 & TS12, but available on request.

Please specify required TS-number when ordering!



OPTIONAL EXTRAS

Motorized Pulley 630M & 630H

Specification	630M	630H
Semi-rust-free option Re-greasable labyrinth seals!	TS11	TS11
Semi-rust-free option Standard seals!	TS12	TS12
Dust explosion proof Motorized Pulleys - ATEX 95 - Zone 22 - for applications handling of dusty grain etc. According to European Directive 94/9/EC.	On request!	On request!
Re-greasable labyrinth seals - mild steel	x	x
Black rubber lagging - STANDARD specifications: - Smooth lagging - Hardness 60 ±5 Shore A - Diamond lagging - Hardness 60 ±5 Shore A	o 10 mm 10 mm	o 10 mm 10 mm
White smooth rubber lagging (FDA). Oil, fat & grease resistant	x	x
SPECIAL lagging available on request - e.g. hot vulcanized, ceramic etc.	x	x
External brake shaft for connection to mechanical brake	x	x
Mechanical backstop	x	x
Insulation class F - Allowable ambient temperature: -25°C+40°C	Std.	Std.
Insulation class H with synthetic oil	x	x
Parallel shell	x	x
Thermal protector	Std.	Std.
IP66/67 cast iron terminal box painted yellow	Std.	Std.
Shaft sealing system - degree of protection IP66/67 (EN60034-5)	Std.	Std.
Euro-voltage (3x230/400V or 400/690V 50Hz) with +/-10% tolerance - DIN IEC 38	Std.	Std.
Special voltages - 50 and/or 60Hz Please specify!	x	x
Dual voltage - delta/star - connection possibility!	Std.	Std.
CSA approved motors - available on request only!	x	x

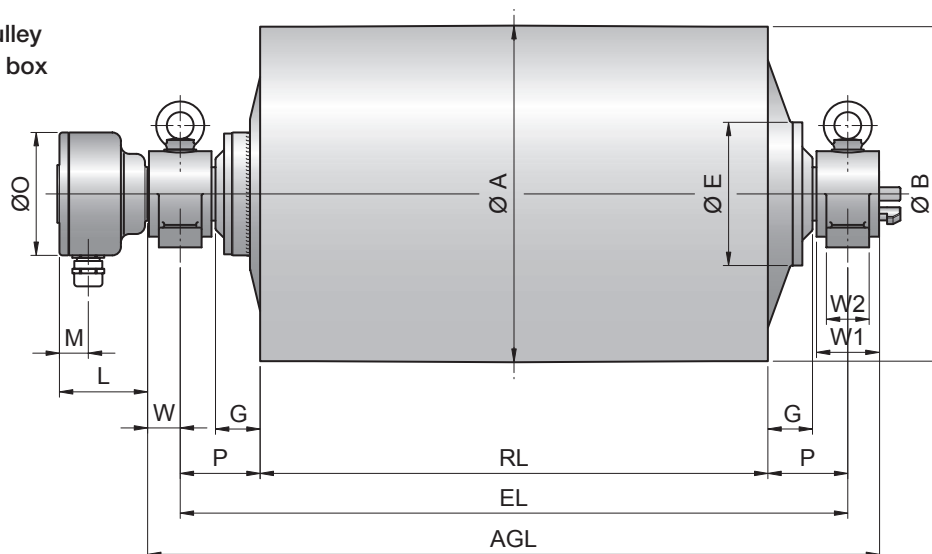
x = Optional extra's

o = An option with certain limitations. Please refer to Technical precautions pages 76-86!

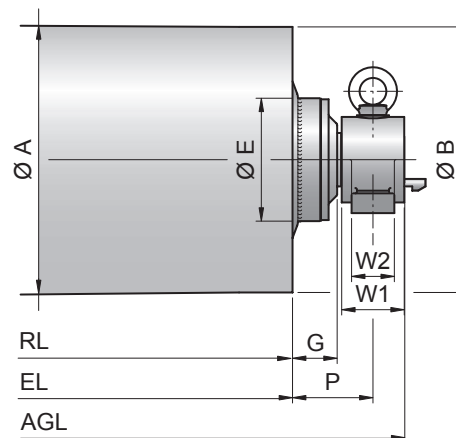
Std. = Fitted as standard

Motorized Pulley 630M & 630H, Ø 630 mm

Motorized Pulley
with terminal box

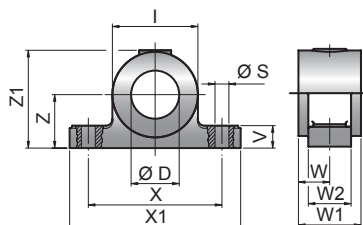


Idler Pulley
UT500H / UT502H



Type	A mm	B mm	C mm	D mm	E mm	G mm	L mm	M mm	O mm	P mm
630M	630	626	-	65	192	95	100	36	156	150
630H	630	626	-	90	268	88	165	54	230	150
UT500H	501	497	-	65	235	95	-	-	-	150
UT502H	501	497	-	90	226	85	-	-	-	150

Mounting brackets
AL65 & ALO65
AL90 & ALO90



Motorized Pulleys & Idler Pulleys (UT) Type	Material	Bracket description	Dimensions											Weight kg
			D mm	I mm	S mm	V mm	W mm	W1 mm	W2 mm	X mm	X1 mm	Z mm	Z1 mm	
630M & UT500H	Spheroidal cast iron	AL65 / ALO65	65	115	23	34	47	90	60	180	240	80	141	8.0
630H & UT 502H	Cast steel	AL90 / ALO90	90	160	26	42	61	117	80	250	320	100	183	19.0



Motorized Pulley 630M, Ø 630 mm

50 Hz

Motor Power kW/HP	No. of Poles	Nominal belt speed at Full Load 50Hz m/sec	Torque Nm	Belt Pull N	Max. Radial Load T1+T2 N	Min. RL	Type	Weight in kg for STANDARD width										Type of Bracket				
								Dimension RL in mm (RL >2000 mm available on request)														
								750	800	850	900	950	1000	1050	1100	per 50 mm up to 2000						
5.50/7.50	8	0.63	2612	8292	46000	750	630M	395	404	413	422	431	441	450	459	9 kg	AL65/ALO65					
		0.80	2057	6530																		
		1.00	1645	5222																		
	6	1.25	1316	4178																		
		1.60	1028	3264																		
		2.00	823	2613																		
7.50/10.0	8	2.50	658	2089																		
		3.15	522	1657																		
		0.80	2805	8905																		
	6	1.00	2243	7121																		
		1.25	1795	5699																		
		1.60	1402	4451																		
11.0/15.0	6	2.00	1122	3562																		
		2.50	897	2848																		
		3.15	712	2261																		
	6	1.25	2631	8356																		
		1.60	2056	6527																		
		2.00	1645	5222																		
15.0/20.0	4	2.50	1316	4178																		
		3.15	1045	3318																		
		1.60	2804	8902																		
	4	2.00	2243	7121																		
		2.50	1795	5699																		
		3.15	1424	4521																		
18.5/25.0	4	2.00	2767	8784																		
		2.50	2213	7026																		
		3.15	1757	5578																		
22.0/30.0	2	2.50	2634	8362																		
		3.15	2090	6635																		
		Idler Pulley										46000	750	UT500H	212	220	229	237	246	255	263	271

Motorized Pulley 630H, Ø 630 mm

50 Hz

Motor Power kW/HP	No. of Poles	Nominal belt speed at Full Load 50Hz m/sec	Torque Nm	Belt Pull N	Max. Radial Load T1+T2 N	min. RL	Type	Weight in kg for STANDARD width										Type of Bracket		
								Dimension RL in mm (RL >2000 mm available on request)												
								950	1000	1050	1100	1150	1200	1250	1300	per 50 mm up to 2000				
22.0/30.0	8	1.00	6583	20899	73600	950	630H	805	818	830	843	855	865	878	891	13 kg	AL90/ALO90			
		1.25	5265	16714																
		1.60	4113	13057																
		2.00	3290	10445																
		2.50	2632	8356																
		3.15	2089	6632																
30.0/40.0	8	1.25	7179	22791																
		1.60	5609	17807																
		2.00	4487	14245																
		2.50	3589	11394																
		3.15	2849	9045																
		37.0/50.0	6	1.60	6920	21969														
2.00	5534			17569																
2.50	4427			14054																
3.15	3513			11153																
45.0/61.0	4	2.50	5384	17092																
		3.15	4273	13565																
		4.00	3365	10683																
55.0/75.0	4	2.50	6584	20902																
		3.15	5223	16581																
		4.00	4113	13057																
Idler Pulley								98100	750	UT502H	287	296	305	314	322	331	340	349	9 kg	AL90/ALO90

Sectional drawings: please refer to pages 68-69!