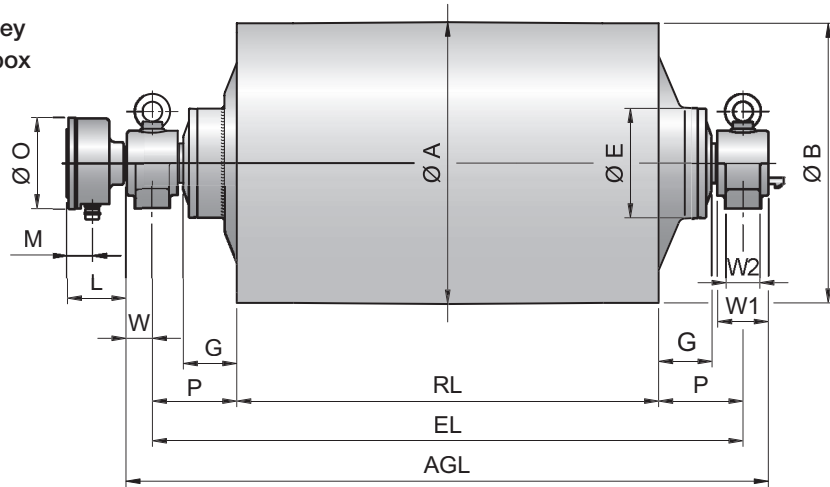


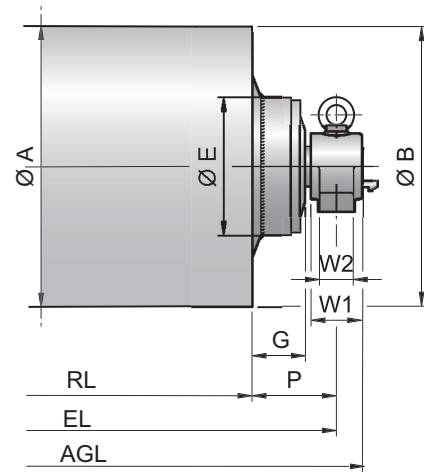


Motorized Pulley 500H, Ø 500 mm

Motorized Pulley
with terminal box

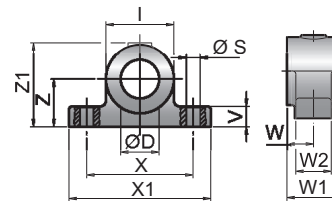


Idler Pulley
UT500H



Type	A mm	B mm	C mm	D mm	E mm	G mm	L mm	M mm	O mm	P mm
500H	501	497	-	65	192	95	100	36.5	156	150
UT500H	501	497	-	65	235	95	-	-	-	150

Mounting bracket
AL65 & ALO65



Motorized Pulleys & Idler Pulleys (UT) Type	Material	Bracket description	Dimensions											Weight kg
			D mm	I mm	S mm	V mm	W mm	W1 mm	W2 mm	X mm	X1 mm	Z mm	Z1 mm	
500H & UT500H	Spheroidal cast iron	AL65 / ALO65	65	115	23	34	47	90	60	180	240	80	141	8.0



Motorized Pulley 500H, Ø 500 mm (Design based on former TM500/TM501)

50 Hz

Power kW/HP	Motor		Nominal belt speed at Full Load 50Hz m/sec	Torque Nm	Belt Pull N	Max. Radial Load T1+T2 N	Min. RL	Type	Weight in kg for STANDARD width										Type of Bracket
	No. of Poles	Gear stages							Dimension RL in mm (RL >2000 mm available on request)										
									600	650	700	750	800	850	900	950	1000	per 50 mm up to 2000	
5.50/ 7.50	8	2	0.50	2612	10427	46000	750	500H	600	650	700	750	800	850	900	950	1000	8 kg	AL65 / ALO65
			0.63	2073	8276														
			0.80	1632	6515														
	6	2	1.00	1306	5214														
			1.25	1045	4172														
7.50/ 10.00	8	2	1.60	816	3258	46000	750	500H	600	650	700	750	800	850	900	950	1000	8 kg	AL65 / ALO65
			2.00	653	2607														
			2.50	522	2084														
	6	2	1.00	1780	7106														
			1.25	1424	5685														
11.0/ 15.0	8	2	1.60	1113	4443	46000	750	500H	600	650	700	750	800	850	900	950	1000	8 kg	AL65 / ALO65
			2.00	890	3553														
			2.50	712	2843														
	6	2	1.00	2611	10423														
			1.25	2089	8340														
15.0/ 20.0	8	2	1.60	1632	6515	46000	750	500H	600	650	700	750	800	850	900	950	1000	8 kg	AL65 / ALO65
			2.00	1306	5214														
			2.50	1045	4172														
	4	2	1.25	2850	11377														
			1.60	2226	8886														
18.5/ 25.0	8	2	2.00	1781	7110	46000	750	500H	600	650	700	750	800	850	900	950	1000	8 kg	AL65 / ALO65
			2.50	1425	5689														
			3.15	1131	4515														
	4	2	1.60	2746	10962														
			2.00	2197	8771														
22.0/ 30.0	8	2	2.50	1757	7014	46000	750	500H	600	650	700	750	800	850	900	950	1000	8 kg	AL65 / ALO65
			3.15	1395	5569														
			2.00	2611	10423														
	2	2	2.50	2089	8340														
			3.15	1600	6385														
Idler Pulley						46000	600	UT500H	600	650	700	212	220	229	237	246	255	8 kg	AL65 / ALO65

Sectional drawings: please refer to pages 68-69!