



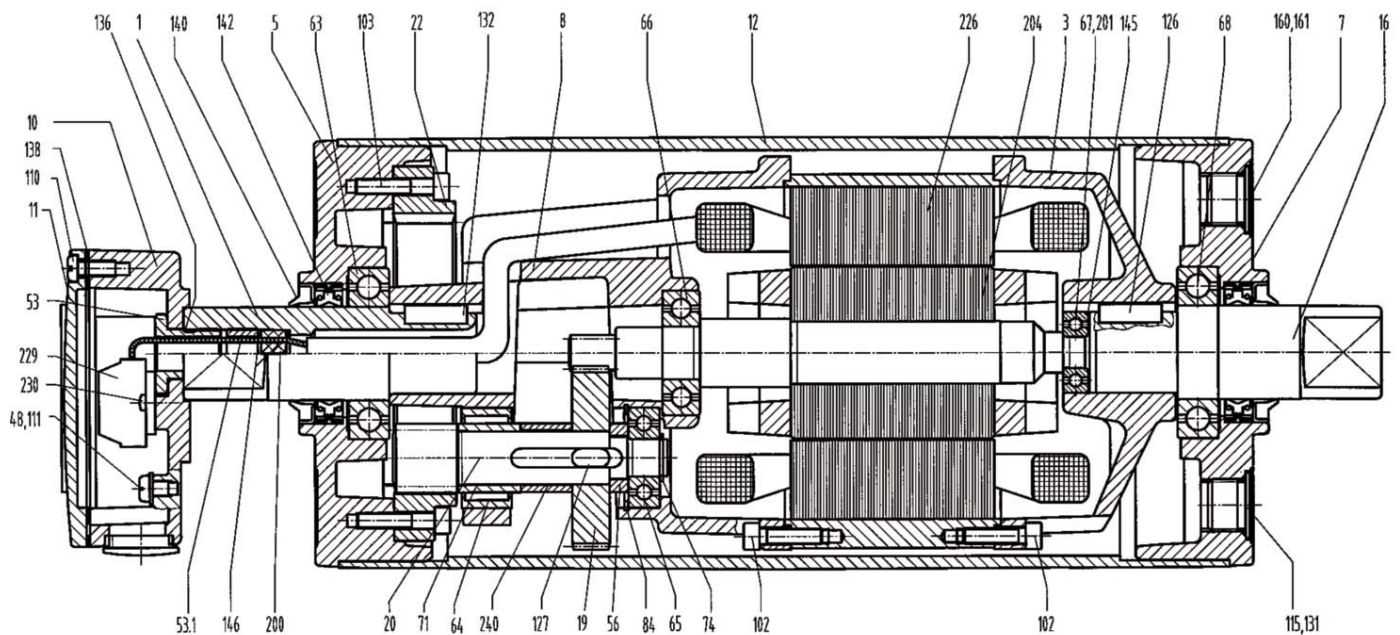
Motorized Pulley 138LS

Ø 5.45 in. (138 mm), with helical steel gearbox

Spare Parts List and Sectional Drawings

1	Front shaft	53	Cable side nipple (cable option)	110	Screw
3	Rear flange	53.1	Nipple (terminal box)	111	Screw
5	Bearing housing complete w/geared rim	55	Spacer bushing	113	Screw
7	Bearing housing rear side	56	Spacer bushing	114	Socket set screw
8	Gearbox	63	Ball bearing	115	Oil plug with magnet
10	Terminal box - bottom part	64	Needle bearing	126	Key
11	Terminal box cover	65-70	Ball bearing	127	Key
12	Shell	71	Inner race	131	Key
16	Rear shaft	73	Locking ring	132	Key
19	Input wheel	74	Locking ring	136	O-ring/Rubber seal
20	Output pinion	84	Locking ring	138	Rubber seal
22	Geared rim	86	Locking ring	139	Grease nipple
23	Intermediate pinion shaft	93	Elbow or straight connector	140	Deflection seal
24	Intermediate wheel	102	Screw	142	Double lip seal
31	Labyrinth seal cover	103	Screw	143	O-ring

138LS Standard: 2 stage gearbox with terminal box



Motorized Pulley 138LS

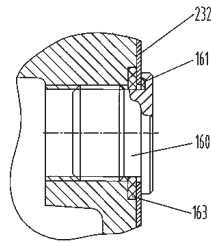
Ø 5.45 in. (138 mm), with helical steel gearbox



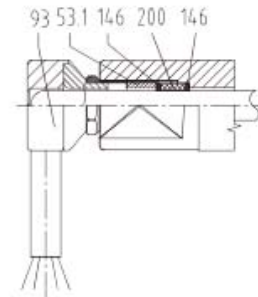
Spare Parts List and Sectional Drawings (cont.)

145	Distance washer	161	O-ring	210	Fixing guard
146	Washer	163	O-ring	223	Cable
148	Washer	167	Screw	226	Stator complete
150	Electromagnetic brake	200	Rubber seal	229	WAGO clamp terminals
150.1	Friction disc	201	Encoder (if applicable)	230	Fixing bolts
156	Rectifier (not shown)	204	Rotor complete with pinion	240	Distance ring
160	Oil plug	208	Stainless steel cover gear end		

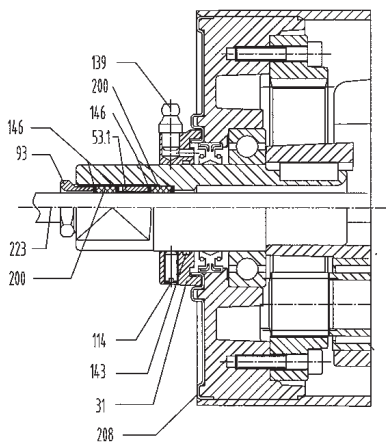
SS oil plug



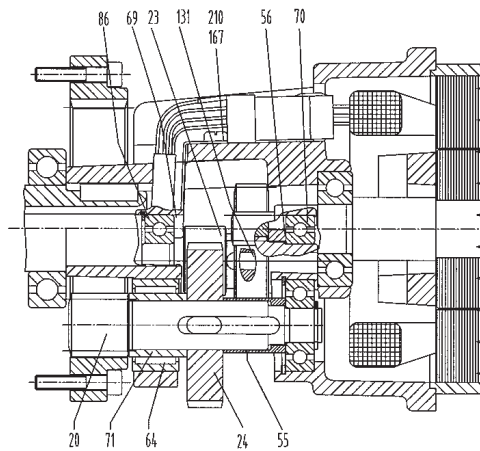
Cable version with SS elbow connector



Stainless steel version TS7N cable option with straight connector



3 stage gearbox



Electromagnetic brake

