



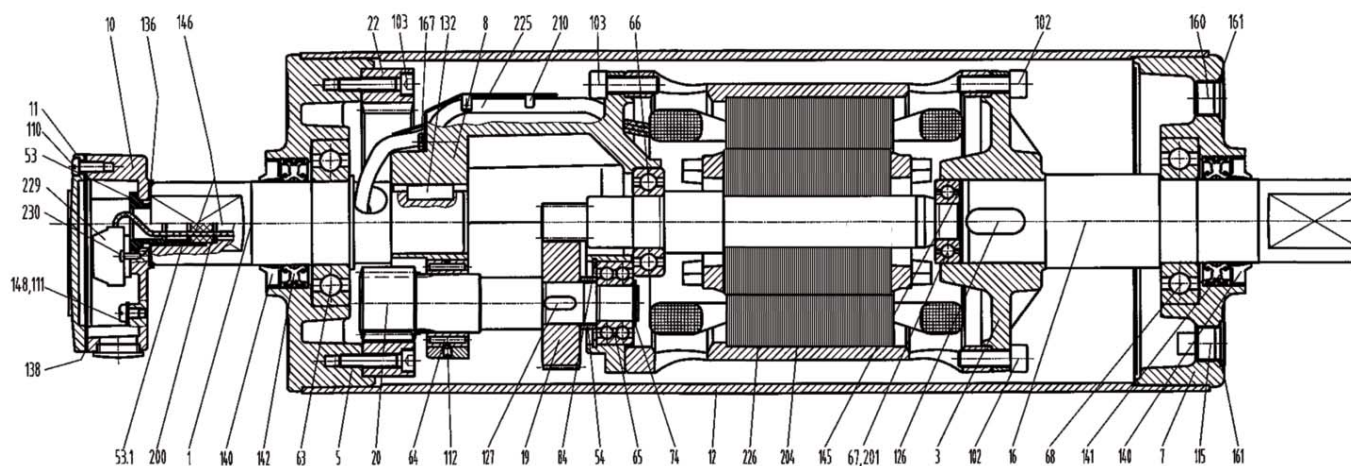
Motorized Pulley 165LS

Ø 6.50 in. (165 mm), with helical steel gearbox

Spare Parts List and Sectional Drawings

1	Front shaft	53	Cable side nipple (cable option)	110	Screw
3	Rear flange	53.1	Nipple (terminal box)	111	Screw
5	Bearing housing complete w/geared rim	55	Spacer bushing	112	Socket set screw
7	Bearing housing rear side	56	Spacer bushing	113	Screw
8	Gearbox	63	Ball bearing	114	Socket set screw
10	Terminal box - bottom part	64	Needle bearing	115	Oil plug with magnet
11	Terminal box cover	65-70	Ball bearing	126	Key
12	Shell	73	Locking ring	127	Key
16	Rear shaft	74	Locking ring	131	Key
19	Input wheel	81	Locking ring	132	Key
20	Output pinion	85	Locking ring	136	O-ring/Rubber seal
22	Geared rim	86	Locking ring	138	Rubber seal
23	Intermediate pinion shaft	93	Elbow or straight connector	139	Grease nipple
24	Intermediate wheel	102	Screw		
31	Labyrinth seal cover	103	Screw		

165LS Standard: 2 stage gearbox with terminal box



Motorized Pulley 165LS

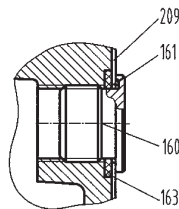
Ø 6.50 in. (165 mm), with helical steel gearbox



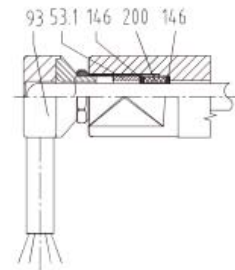
Spare Parts List and Sectional Drawings (cont.)

140	Deflection seal	156	Rectifier (not shown)	208	Bearing housing w/labyrinth groove
141	Double lip seal	160	Oil plug	210	Fixing guard
142	Double lip seal	161	O-ring	225	Cable
143	O-ring	163	O-ring	226	Stator complete
145	Distance washer	167	Screw	229	WAGO clamp terminals
146	Washer	200	Rubber seal	230	Fixing bolts
148	Washer	201	Encoder (if applicable)	240	Distance ring
150	Electromagnetic brake	204	Rotor complete with pinion		
150.1	Friction disc	206	Insulated sleeve for wire protection		

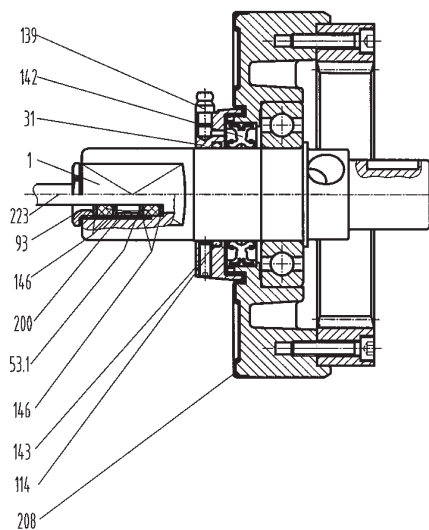
SS oil plug



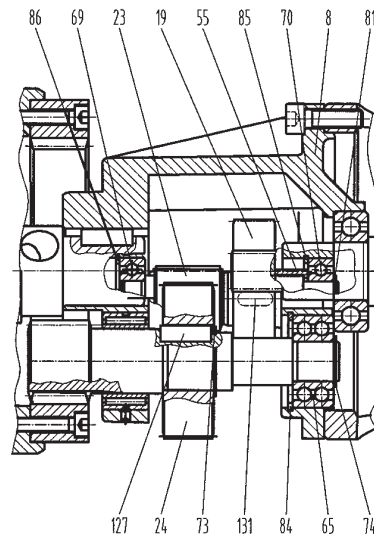
Cable version with SS elbow connector



Stainless steel version TS7N cable option with straight connector



3 stage gearbox



Electromagnetic brake

