



# 80LP-113LP Connection Diagrams

Power Cord (6 wire) - 3 Phase - US Motor

Code:

T1 & T2: Thermal protection

bn - brown

bk - black

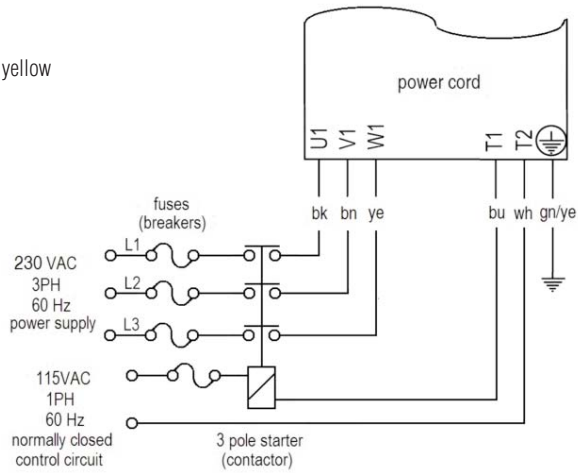
ye - yellow

bu - blue

wh - white

gn/ye - green yellow

## Low Voltage



## High Voltage

