

80LP-113LP Connection Diagrams

Power Cord (9 wire) - 3 Phase - European Motor



Code:

T1 & T2: Thermal protection

bn - brown

vy - violet

bk - black

rd - red

ye - yellow

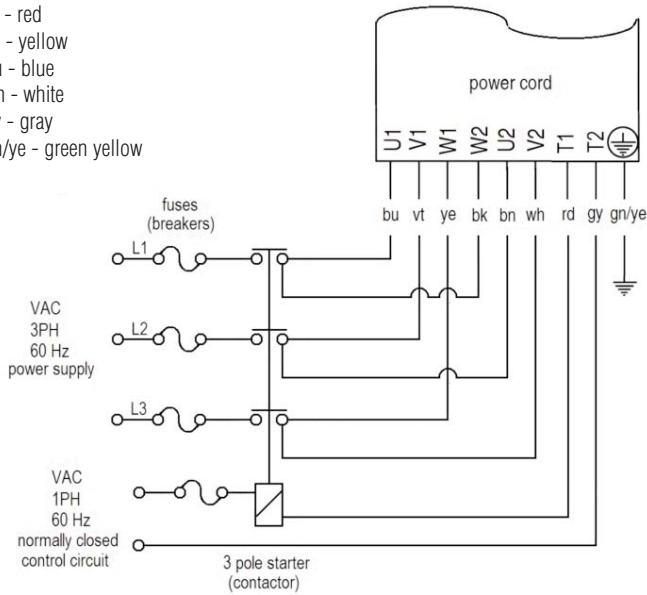
bu - blue

wh - white

gy - gray

gn/ye - green yellow

Low Voltage



High Voltage

