

80LP - 113LP Connection Diagrams

Power Cord (7 wire) - 1 Phase - US Motor

Internal Thermal Protection Switch in series with motor

Code:

Cr: Run Capacitor

bk - black

bn - brown

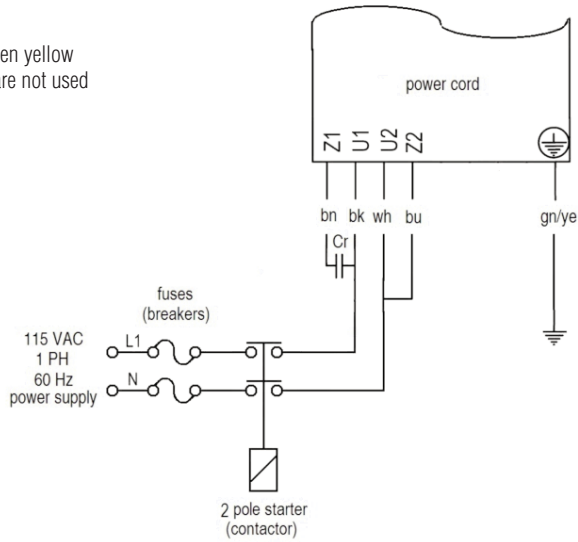
wh - white

bu - blue

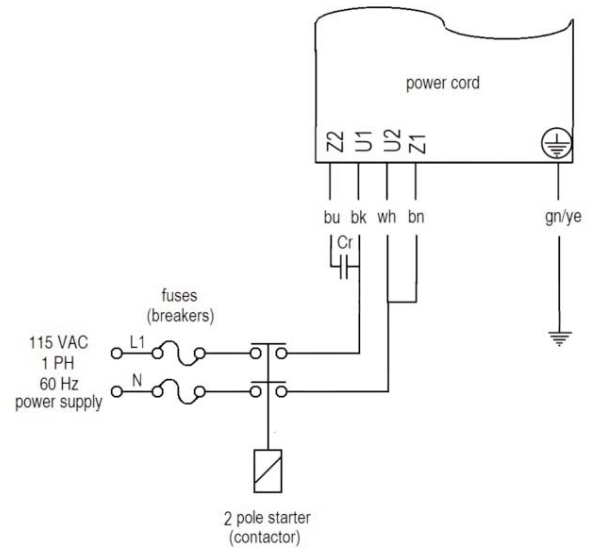
gn/ye - green yellow

two wires are not used

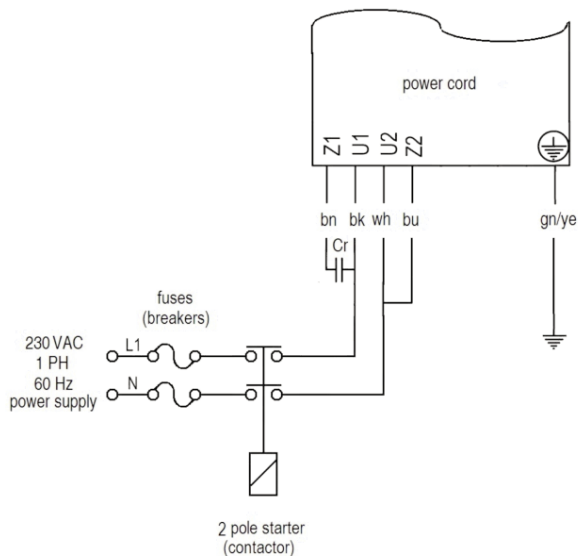
Low Voltage - Clockwise Rotation



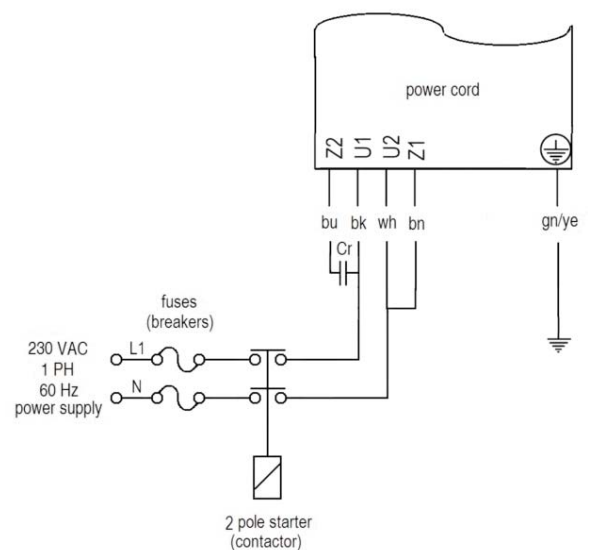
Low Voltage - Counterclockwise Rotation



High Voltage - Clockwise Rotation



High Voltage - Counterclockwise Rotation



NOTE:

The thermal switch in this single phase motor is installed in series with motor winding. Therefore, the switch can deactivate and re-energize motor automatically.