

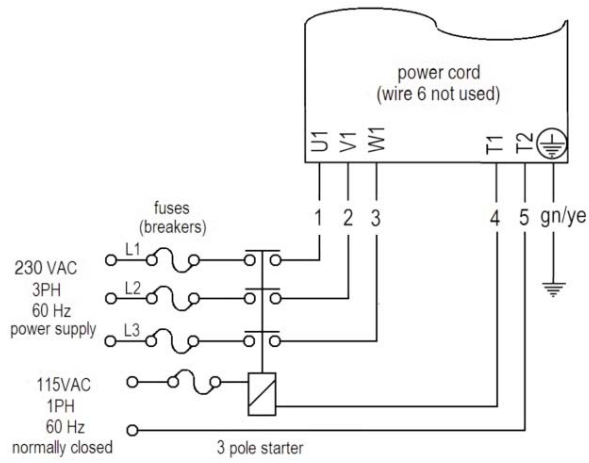


80LS - 165LS Connection Diagrams

Power Cord (7 wire) - 3 Phase - US Motor

Code:
T1 & T2: Thermal protection

Low Voltage



High Voltage

