

80LS - 165LS Connection Diagrams

Power Cord (9 wire) - 3 Phase - US Motor

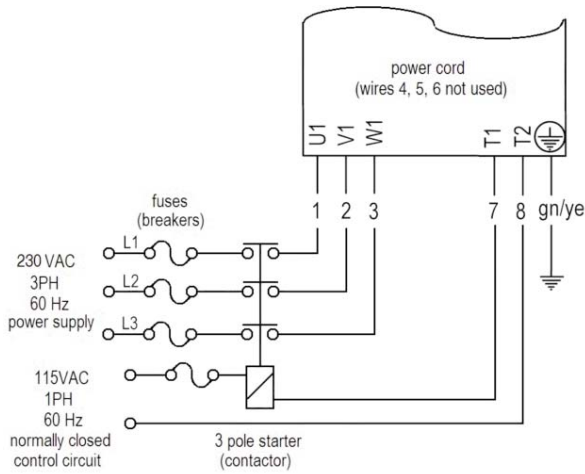


Code:

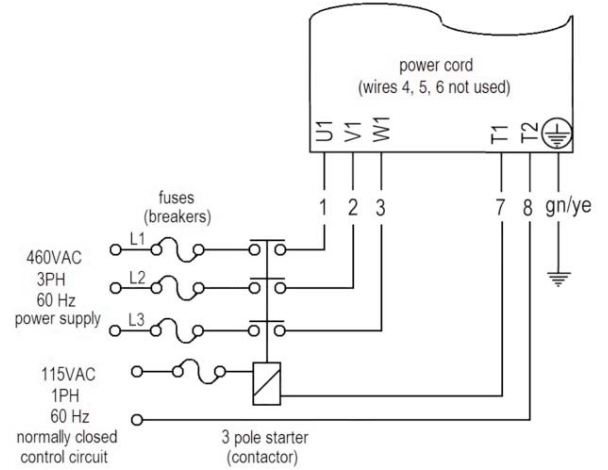
T1 & T2: Thermal protection

B1 & B2: Internal brake

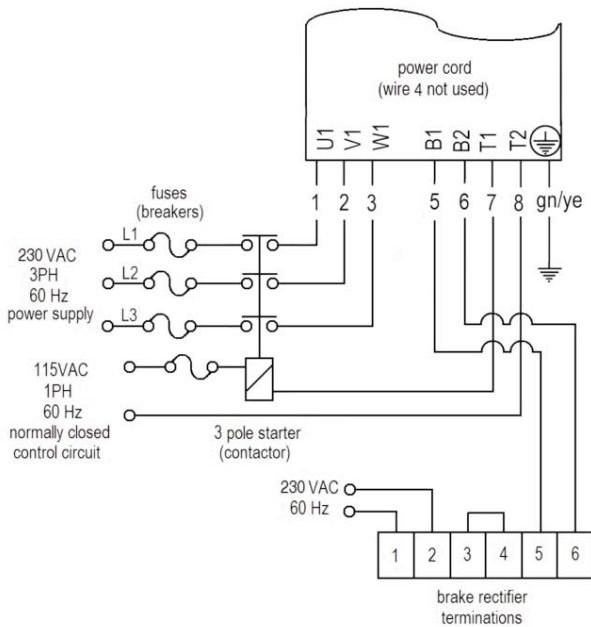
Low Voltage



High Voltage



Low Voltage with Brake Option



High Voltage with Brake Option

