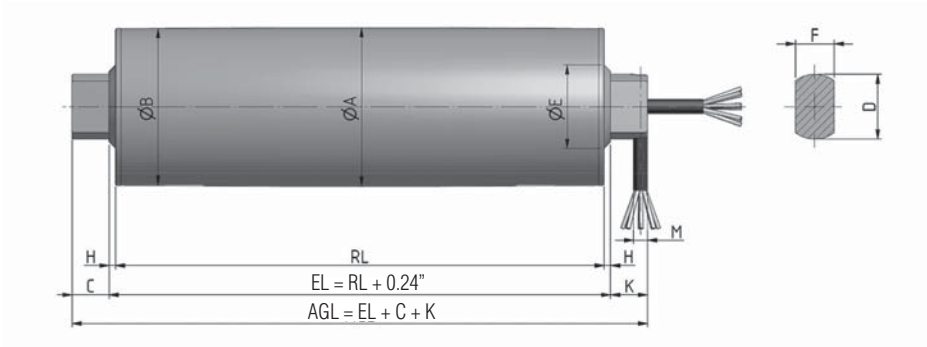


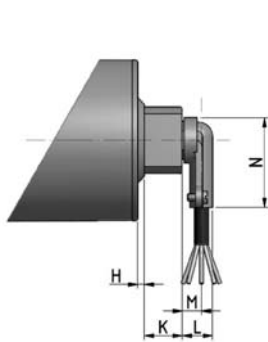


# Motorized Pulley 80LP

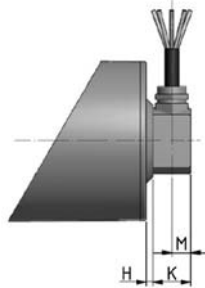
Ø 3.37 in. (80 mm), with planetary gearbox in polymer



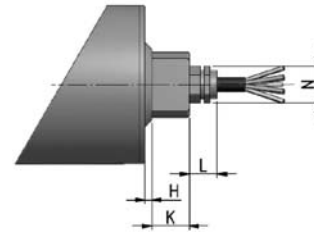
Motorized Pulley Standard Version.



Elbow connector in aluminum.



Cable connection 90°.



Straight connector.

Type/Option	A in	B in	C in	D in	E in	F in	G in	H in	K in	L in	M in	N in	Q in	T in
<b>Motorized Pulley Standard Version</b>	3.37	3.33	0.79	1.38	1.77	0.83		0.12	0.79		0.31			
<b>Elbow connector in aluminum</b>									0.79	0.71	0.47	1.89		
<b>Cable connection 90 °</b>									0.79		0.39			
<b>Straight Connector</b>									0.79	0.59		0.79		

<b>Std. RL shell lengths (in)</b>	11.81	13.78	15.75	17.72	19.69	21.65	23.62	25.6	27.56	29.53	31.5	33.46	35.43
<b>Avg. weight (lbs)</b>	9.5	10.0	10.5	11.0	11.0	11.5	12.0	17.0	17.5	18.0	19.0	20.0	20.5

- Min length: 9.96 in.
- Max length: 35.43 in
- Weights are approximate due to different shell executions and motor powers