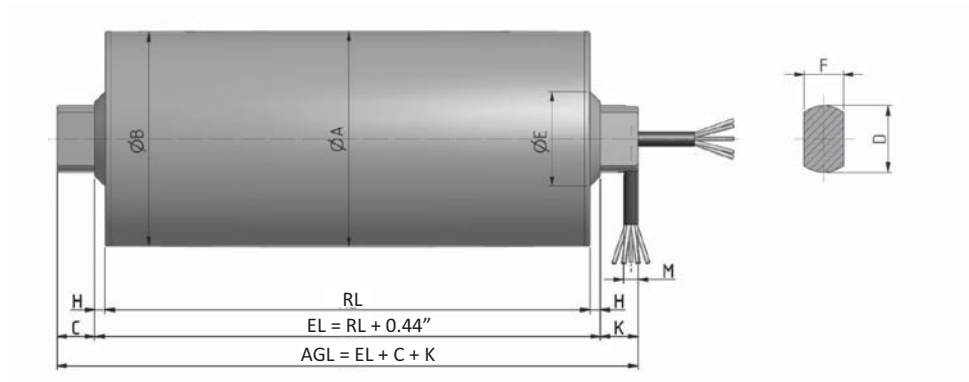


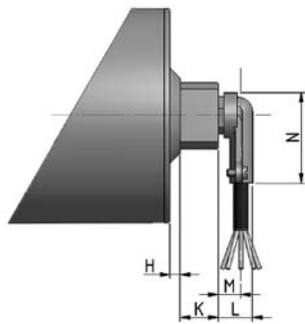


Motorized Pulley 113LP

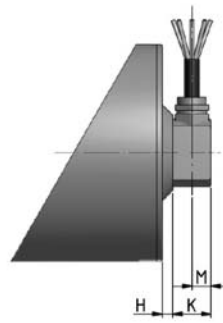
Ø 4.47 in. (113 mm), with planetary gearbox
in polymer or polymer / steel combination



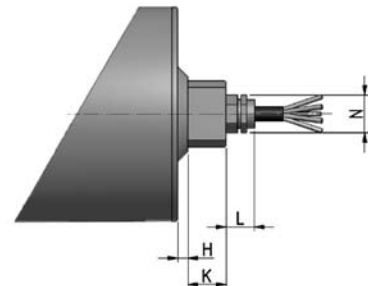
Motorized Pulley Standard Version.



Elbow connector in aluminum.



Cable connection 90°.



Straight connector.

Type/Option	A in	B in	C in	D in	E in	F in	G in	H in	K in	L in	M in	N in	Q in	T in
Motorized Pulley Standard Version	4.47	4.43	0.79	1.38	1.97	0.83		0.22	0.79		0.31			
Elbow Connector in aluminum									0.79	0.71	0.47	1.89		
Cable Connector 90°									0.79		0.39			
Straight Connector									0.79	0.59		0.79		

Std. RL shell lengths (in)	11.81	13.78	15.75	17.72	19.69	21.65	23.62	25.60	27.56	29.53	31.50	+ 1.97 in up to	47.24
Average weight (lbs)	15.0	15.5	16.5	17.5	18.0	19.0	19.5	20.5	21.5	24.0	25.0	+ 1.0 lb up to	33.0

- Min lengths: see table at page 8.
- Max length: 47.72in
- Weights are approximate due to different shell executions and motor powers