



# 138LS Connection Diagrams

Terminal Box - 1 Phase - US Motor

Code:

T1 & T2: Thermal protection

B1 & B2: Internal brake

Cr: Run Capacitor

Cs: Start Capacitor

K: Start Capacitor Relay

rd - red

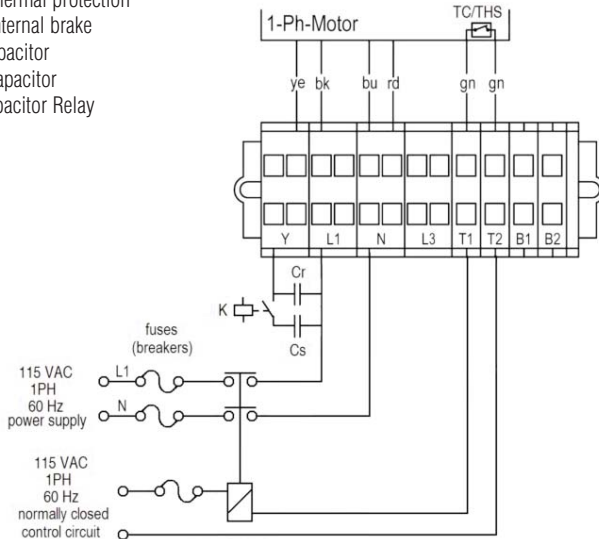
ye - yellow

bk - black

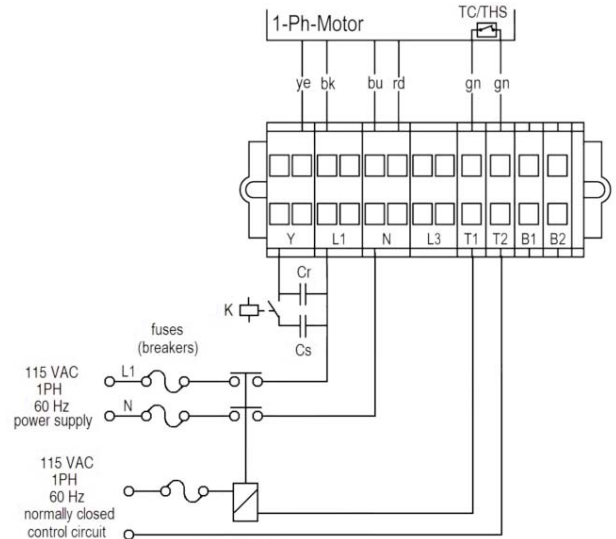
bu - blue

gn - green

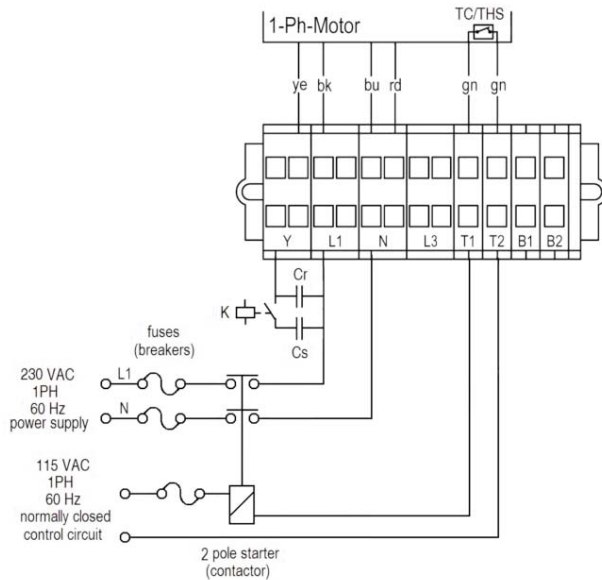
## Low Voltage - Clockwise Rotation



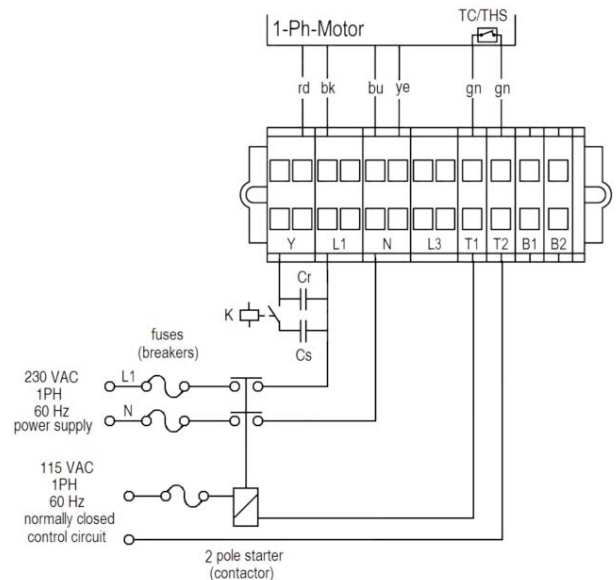
## Low Voltage - Counterclockwise Rotation



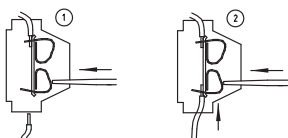
## High Voltage - Clockwise Rotation



## High Voltage - Counterclockwise Rotation



### Assembly instructions



Push down clamp

Push in wire