



TC104: 10/24

MOTORIZED PULLEYS FOR BELT CONVEYORS

UNIT HANDLING
GENERAL CATALOG



RULMECA®

MOVING AHEAD

Motorized Pulleys



Rulmeca – Moving ahead.

Since its foundation in 1962, the Rulmeca Group, headquartered in Bergamo (Almé), Italy, has grown to become one of the world's leading manufacturers of premium components for material handling. We strongly believe in our positioning as a component supplier and have successfully remained faithful to our mission for more than 60 years. Our reliability as a partner has made Rulmeca one of the most trusted brands in the industry.

As a family-owned business, a long-term perspective and responsible action form the basis of Rulmeca Group's economic success. The unique combination of tradition and innovation, of quality and service is our key success factor. This is also seen in our consistent environmental and social responsibility throughout the value chain. More than 1300 employees in twenty-two production and sales companies all around the globe serve Rulmeca clients in 85 countries.

Along with our products, which help to handle and move bulk materials and unit loads all over the globe, the Rulmeca Group is also moving ahead. Building on our experience supplying to OEM and end users in Italy, one of Europe's key markets for unit handling applications, we have developed a comprehensive range of components for internal logistics: made by Rulmeca. Our aim? To remain the preferred supplier and trusted partner for our customers who produce and engineer machinery, equipment and systems for unit handling applications.

We have something important to offer to our customers.

Rulmeca's international presence allows us to access the most efficient sources of procurement, thus boosting the competitiveness of our offering. At the same time our extensive network of affiliated companies and business partners allows us to always be in close contact with our customers. As a vertically integrated manufacturer, we have the flexibility to respond to individual needs whenever they arise.

Today the Rulmeca Group's global business encompasses four product brands: Rulmeca, Precismeca, Melco, and Douglas.

They are part of one Group, they share a common philosophy, but each has its own character and operates according to the specific needs of its markets and its customers. Following this strategy, Rulmeca Group has grown in recent decades to become the world's largest producer of belt conveyor rollers/idlers and motorized pulleys in the bulk handling industry.

We don't only sell products, we find solutions. Our research departments are equipped with dedicated test facilities, where our products are thoroughly examined under extreme conditions. We are committed to the development of new products and the continuous improvement of our current range, often considered among the best in the market. Components provided by the Rulmeca Group improve the performance, safety and reliability of the systems, equipment and machines produced and utilized by our customers.

With the benefit of these assets and this strategic focus, the Rulmeca Group offers a portfolio of state-of-the-art components for a vast array of industries and applications handling both bulk materials and unit loads.

Our new range of Rulmeca unit handling components comprises rollers, motorized pulleys, 24V drive rollers and controls, as well as modules for dynamic storage. This range of products has been developed for demanding applications such as airport logistics, postal and parcel handling, and logistics applications in manufacturing, distribution centers, food and beverage processing and warehousing.

For us, this catalog is an important milestone. And we will keep on moving ahead. Please stay tuned.

Kind regards from The Rulmeca Team

PS: Feel free to contact your local Rulmeca Company - sales-us@rulmeca.com.

We look forward to receiving your feedback and comments.



Contents

Title	Page
Rulmeca Motorized Pulleys: a new name with deep roots	6
Features and Benefits of Rulmeca Motorized Pulleys	7
General Description & Product Portfolio	8
Ordering Information	9
Application Worksheet	10
Power Calculation for Unit Handling	11
LIGHT INDUSTRIAL DRUM MOTOR RANGE	12
Motorized Pulley 80LP	14
Ø 3.37 in, 0.08 HP – 0.16 HP, planetary gearbox, polymer	
Motorized Pulley 113LP	20
Ø 4.47 in, 0.08 HP – 0.50 HP, planetary gearbox, polymer or polymer/steel	
Motorized Pulley 138LP	26
Ø 5.32 in, 0.08 HP – 0.74 HP, planetary gearbox, polymer or polymer/steel	
INDUSTRIAL DRUM MOTOR RANGE	34
Motorized Pulley 80LS	36
Ø 3.21 in, 0.03 HP – 0.16 HP, helical steel gearbox	
Motorized Pulley 113LS	44
Ø 4.53 in, 0.05 HP – 0.73 HP, helical steel gearbox	
Motorized Pulley 138LS	52
Ø 5.45 in, 0.13 HP – 1.3 HP, helical steel gearbox	
Motorized Pulley 165LS	60
Ø 6.50 in, 0.15 HP – 3.0 HP, helical steel gearbox	



Title	Page
Optional Extras & Accessories	68
Mounting Brackets for Motorized Pulley and Idler	69
Lagging for Standard Conveyor Belts	70
Smooth or Grooved Lagging	
Profiled Shells and Lagging for Positive Drive Belts	72
Custom-made Profiled Shells & Lagging	
Mechanical Backstops	75
Electromagnetic Brakes and Rectifiers	76
Encoders	79
Power Cords	83
Environmental Conditions	84
Technical Precautions for Design, Installation, & Maintenance	86
Shaft Seals and End Housings	93
Oil Quantities and Oil Types	94
Connection Diagrams	96



Rulmecca Motorized Pulleys: a new name with deep roots

The Rulmecca Motorized Pulleys presented in this catalog have a long history, beginning in the 1950's, when the product was developed in Germany and Denmark.

In 2003, Rulli Rulmecca S.p.A. purchased the production facility in Aschersleben, Germany, where Motorized Pulleys have been developed and produced for more than 60 years.

In 2003, Rulmecca Corporation was founded in Wilmington, NC to sell Motorized Pulleys and provide "local assembly" and aftermarket service to customers in the Americas.

In 2013 Rulmecca Holding S.p.A. purchased a production facility in Dzierzoniow, Poland, where Motorized Pulleys have been developed and produced since the 1990's.

Today these facilities continue the long tradition for quality and reliability under the Rulmecca brand.

Thanks to this long history and a skilled and dedicated staff, Rulmecca is a very experienced and reliable manufacturer of Motorized Pulleys, offering the world's largest product range.

sales-us@rulmecca.com



Features and Benefits of Rulmeca Motorized Pulleys



Improves Plant Hygiene

Thanks to its flat, smooth, stainless steel surface and hermetically-sealed design, the Rulmeca drum motor is easy to clean. The Rulmeca drive reduces the risk of contamination in food processing environments.

Improves Conveyor Reliability

Since 1952, the Rulmeca drum motor has been a reliable conveyor drive. The hermetic seals and continuous oil bath of all bearings and gears insure that the drive provides consistent "up time" in spite of 24/7 operating conditions.

Resists Harsh Operating Conditions

The Rulmeca IP69 sealing system protects the drum motor from the most aggressive operating conditions. Neither the presence of water, chemicals, grease, and oil nor high pressure wash-down procedures are problems for the drive.

Increases Efficiency

Rulmeca drum motors require less than 90% of the electrical power of exposed drive systems when compared with motor/reducer/chain & sprocket or motor/reducer/V-belt drive configurations.

Improves Personnel Safety

The Rulmeca drum motor protects plant personnel from pinch points as well as slip, trip, and fall hazards because it encloses all moving mechanical parts within a pulley shell. The drive eliminates the need for expanded metal guarding around rotating shafts, external gearboxes, motors, and cooling fans.

Saves Space

The Rulmeca drum motor encloses its motor, gearbox, and bearings within a hermetically-sealed, oil-filled pulley shell, making it a very compact and lightweight conveyor drive system. This is a big advantage to operators and manufacturers of package handling and processing equipment.

Reduces Maintenance Expense

Since the Rulmeca drum motor does not use external bearings which require greasing and inspection, but rather encloses all mechanical parts within an oil-filled shell, it reduces maintenance requirements to a fraction of what exposed drive systems require.

Makes Installation Easier

Since the Rulmeca drum motor is compact, lightweight, and pre-aligned, installation is quick and easy. Setting the drive only requires four bolts and electrical termination. Installation time is usually 1 to 2 hours. Heavy external gearboxes and motor frames, as well as guarding around rotating shafts, are eliminated.



General Description & Product Portfolio

The Rulmecca Motorized Pulley was first produced in 1953 specifically for use on conveyor belt applications.

The objective was to produce a compact, hermetically-sealed, highly efficient conveyor drive that would be unaffected by dust, water, oil, grease or other harmful substances. A Motorized Pulley was to be simple to install and require very little maintenance.

The Rulmecca Motorized Pulley achieved this objective and today is considered to be one of the most reliable, effective and safe conveyor drive systems available throughout the world.

The Rulmecca Motorized Pulley is a highly efficient geared motor drive, which is hermetically-sealed within a cylindrical steel shell.

The shell, which is normally crowned to ensure belt tracking, is fitted with bearing housings incorporating precision bearings and double lip oil seals and rotates on a pair of fixed shafts.

The motor stator is fixed to the shafts and the motor winding cables pass through one of the shafts, eliminating the need for slip rings and brushes.

The squirrel cage induction motor, manufactured in steel laminate, is machined concentric to high tolerances and designed to give 200% starting torque for 3 phase versions.

The rotor pinion is coupled directly to the gearbox.

The gearbox transmits torque to the shell through a geared rim and allows very little frictional torque loss.

The Motorized Pulley is filled with oil, which acts as a lubricant and coolant. Heat is dissipated through the shell and conveyor belt.

All vital parts are CNC machined.

The Rulmecca Motorized Pulley is supplied as standard with:

- Machined steel (type LS) and aluminum (type LP) crowned shell.

- Electrical motor manufactured in accordance with IEC 34-1 (EN60034-1), (VDE0530).
 - Class F insulation according to IEC 34-1 (EN60034-1), (VDE0530).
 - Most international voltages.
 - Standard voltages supplied with +/- 10% tolerance in accordance with IEC 38.
 - Factory oil-filled and tested.
 - Degree of protection IP66 (EN60034-5)
- Rulmecca Motorized Pulleys are manufactured according to the Council Directives of the European Communities.

The CE-marking is according to Directive 73/23/EEC, relating to electrical equipment, and according to Directive 89/336EEC, relating to electrical magnetic compatibility and amendments.

Model		80LP	113LP	138LP	80LS	113LS	138LS	165LS
Diameter [in]		3.37	4.47	5.32	3.21	4.53	5.45	6.50
Power [HP]	from	0.08	0.08	0.08	0.05	0.05	0.13	0.15
	to	0.16	0.50	0.74	0.21	0.75	1.33	3.00
Belt Pull [lbs]	from	24	16	18	22	33	60	63
	to	112	202	594	137	339	700	990
Belt Speed [fpm]	from	14	6	8	26	12	10	12
	to	150	240	240	220	384	480	768
Roller Length RL [in]	from	9.96	10.08	10.23	7.87	9.84	11.81	13.78
	to	35.43	47.24	47.72	47.24	5.12	72.83	78.74



**Ordering* Information:
Rulmeca Drum Motors**

**Email: sales-us@rulmeca.com
Fax: 910-794-9296**

Contact Person _____ **Date** _____ **Ref#** _____
Company _____
Address _____
Phone _____ **Fax** _____ **Email** _____

Diameter (in)		Roller Length (in)		Belt Speed (fpm)		Lagging Material		Type of Mounting Brackets	
<input type="checkbox"/>	3.15	<input type="checkbox"/>	11.81	<input type="checkbox"/>	10	<input type="checkbox"/>	Blue rubber	<input type="checkbox"/>	aluminum
<input type="checkbox"/>	4.50	<input type="checkbox"/>	12.60	<input type="checkbox"/>	12	<input type="checkbox"/>	White rubber	<input type="checkbox"/>	stainless steel
<input type="checkbox"/>	5.45	<input type="checkbox"/>	13.78	<input type="checkbox"/>	14	<input type="checkbox"/>	Black rubber	<input type="checkbox"/>	cast iron
<input type="checkbox"/>	6.49	<input type="checkbox"/>	15.75	<input type="checkbox"/>	16	<input type="checkbox"/>	None	Type of Holdback	
Power (HP)		<input type="checkbox"/>	17.72	<input type="checkbox"/>	18	Lagging Profile		<input type="checkbox"/>	mech. backstop, clockwise
<input type="checkbox"/>	0.03	<input type="checkbox"/>	19.69	<input type="checkbox"/>	20	<input type="checkbox"/>	Smooth	<input type="checkbox"/>	mech. backstop, counterclockwise
<input type="checkbox"/>	0.05	<input type="checkbox"/>	21.65	<input type="checkbox"/>	24	<input type="checkbox"/>	Profiled	<input type="checkbox"/>	internal brake
<input type="checkbox"/>	0.08	<input type="checkbox"/>	23.62	<input type="checkbox"/>	26	Lagging Thickness		Type of Seals	
<input type="checkbox"/>	0.09	<input type="checkbox"/>	25.59	<input type="checkbox"/>	30	<input type="checkbox"/>	1/8 inch	<input type="checkbox"/>	standard
<input type="checkbox"/>	0.10	<input type="checkbox"/>	27.56	<input type="checkbox"/>	38	<input type="checkbox"/>	1/4 inch	<input type="checkbox"/>	IP69
<input type="checkbox"/>	0.11	<input type="checkbox"/>	29.53	<input type="checkbox"/>	48	<input type="checkbox"/>	1/2 inch	<input type="checkbox"/>	regreasable
<input type="checkbox"/>	0.12	<input type="checkbox"/>	31.50	<input type="checkbox"/>	60	Termination (select one)		Material & Surface Finish	
<input type="checkbox"/>	0.13	<input type="checkbox"/>	33.46	<input type="checkbox"/>	76	<input type="checkbox"/>	compact box, AL	<input type="checkbox"/>	stan. mild steel & aluminum
<input type="checkbox"/>	0.15	<input type="checkbox"/>	35.43	<input type="checkbox"/>	96	<input type="checkbox"/>	compact box, SS	<input type="checkbox"/>	total stainless steel
<input type="checkbox"/>	0.16	<input type="checkbox"/>	37.40	<input type="checkbox"/>	120	<input type="checkbox"/>	power cord, elbow	<input type="checkbox"/>	semi-rust free
<input type="checkbox"/>	0.20	<input type="checkbox"/>	39.37	<input type="checkbox"/>	150	<input type="checkbox"/>	power cord, straight	Other Special Options	
<input type="checkbox"/>	0.24	<input type="checkbox"/>	41.34	<input type="checkbox"/>	192	Power cord (if applicable)		<input type="checkbox"/>	vertical shaft
<input type="checkbox"/>	0.25	<input type="checkbox"/>	43.31	<input type="checkbox"/>	300	<input type="checkbox"/>	10 ft, standard insulation	<input type="checkbox"/>	inclined shaft
<input type="checkbox"/>	0.33	<input type="checkbox"/>	45.28	<input type="checkbox"/>	384	<input type="checkbox"/>	10 ft, screened	<input type="checkbox"/>	encoder (SKF)
<input type="checkbox"/>	0.40	<input type="checkbox"/>	47.24	<input type="checkbox"/>	480	Type of Oil		<input type="checkbox"/>	encoder (RLS)
<input type="checkbox"/>	0.50	<input type="checkbox"/>	49.21	<input type="checkbox"/>	600	<input type="checkbox"/>	mineral	<input type="checkbox"/>	low noise
<input type="checkbox"/>	0.75	<input type="checkbox"/>	51.18	<input type="checkbox"/>	768	<input type="checkbox"/>	synthetic	<input type="checkbox"/>	special certification (please specify)
<input type="checkbox"/>	1.00	<input type="checkbox"/>	53.15	Voltage		<input type="checkbox"/>	food grade	<input type="checkbox"/>	special shell (attach drawing)
<input type="checkbox"/>	1.33	<input type="checkbox"/>	55.12	<input type="checkbox"/>	115v	Motor Insulation		<input type="checkbox"/>	special end housing (attach drawing)
<input type="checkbox"/>	1.50	<input type="checkbox"/>	57.09	<input type="checkbox"/>	208v	<input type="checkbox"/>	class F	<input type="checkbox"/>	special shaft (attach drawing)
<input type="checkbox"/>	2.00	<input type="checkbox"/>	59.06	<input type="checkbox"/>	230v	<input type="checkbox"/>	class H	Center Groove Dimensions (if applicable)	
<input type="checkbox"/>	3.00	<input type="checkbox"/>	61.02	<input type="checkbox"/>	230v	Type of Crown		Top _____ (in.)	
		<input type="checkbox"/>	62.99	<input type="checkbox"/>	380v	<input type="checkbox"/>	center crown	Bottom _____ (in.)	
		<input type="checkbox"/>	64.96	<input type="checkbox"/>	460v	<input type="checkbox"/>	trapezoidal crown	Depth _____ (in.)	
		<input type="checkbox"/>	66.93	<input type="checkbox"/>	575v	<input type="checkbox"/>	no crown		
		<input type="checkbox"/>	68.90	Phase & Frequency					
		<input type="checkbox"/>	70.87	<input type="checkbox"/>	3ph/60Hz				
		<input type="checkbox"/>	72.83	<input type="checkbox"/>	3ph/50Hz				
		<input type="checkbox"/>	74.80	<input type="checkbox"/>	1ph/60Hz				
		<input type="checkbox"/>	76.77	<input type="checkbox"/>	1ph/50Hz				
		<input type="checkbox"/>	78.74	<input type="checkbox"/>	Other				

Quantity: _____ **Drum Motors**
Special Comments: _____

* Note: This form displays all powers, speeds, and options available in small drum motors from Rulmeca. Some combinations are unavailable (e.g. 3 HP is not available in 4.5 inch diameter).



Application Worksheet: Rulmeca Drum Motors

Email: sales-us@rulmeca.com

Fax: 910-794-9296

Contact Person _____ Date _____ Ref# _____
 Company _____
 Address _____
 Phone _____ Fax _____ Email _____

Standard Loading Conditions:	
Conveyor Length (ft)	_____
Conveyor Lift Height (ft)	_____
Weight of Conveyed Product (lbs/ft of conveyor)	_____
Weight of Conveyor Belt (lbs/ft of conveyor)	_____
Conveyor Belt Speed (feet per minute)	_____
Width of Conveyor Belt (in)	_____
Operating Conditions:	
Duty Cycle (Start/stops per hour)	_____
Hours of Operation (hrs/day)	_____
Days of Operation (days/week)	_____
Is this a reversing conveyor?	_____
Temperature of Conveyed Product (°F)	_____
Minimum Ambient Temperature (°F)	_____
Maximum Ambient Temperature (°F)	_____
Slider Bed Friction Without Accumulation (Choose one):	
Frictional Coefficient: bottom of belt to top of steel slider bed	
<input type="checkbox"/>	0.2 for Impregnated Fabric Backing
<input type="checkbox"/>	0.3 for Brushed Backed PVC
<input type="checkbox"/>	0.6 for PVC Backing
<input type="checkbox"/>	0.65 for Rubber Belt
<input type="checkbox"/>	Other (please specify) _____
Roller Conveyor Without Accumulation Load:	
Weight of Rotating Parts (lbs/ft of conveyor)	_____

Accumulation Friction Load (Choose one, if applicable):	
Frictional Coefficient: top of belt to bottom of product	
<u>Cardboard Products</u>	
<input type="checkbox"/>	0.25 for Impregnated Urethane
<input type="checkbox"/>	0.35 for Urethane Cover
<input type="checkbox"/>	0.40 for PVC Cover
<input type="checkbox"/>	0.45 for Rubber Cover
<input type="checkbox"/>	Other (please specify) _____
<u>Plastic Products</u>	
<input type="checkbox"/>	0.25 for Impregnated Urethane
<input type="checkbox"/>	0.35 for Urethane Cover
<input type="checkbox"/>	0.40 for PVC Cover
<input type="checkbox"/>	0.45 for Rubber Cover
<input type="checkbox"/>	Other (please specify) _____
<u>Glass Products</u>	
<input type="checkbox"/>	0.20 for Impregnated Urethane
<input type="checkbox"/>	0.40 for Urethane Cover
<input type="checkbox"/>	0.50 for PVC Cover
<input type="checkbox"/>	0.55 for Rubber Cover
<input type="checkbox"/>	Other (please specify) _____
<u>Steel Products</u>	
<input type="checkbox"/>	0.30 for Impregnated Urethane
<input type="checkbox"/>	0.50 for Urethane Cover
<input type="checkbox"/>	0.60 for PVC Cover
<input type="checkbox"/>	0.65 for Rubber Cover
<input type="checkbox"/>	Other (please specify) _____

Quantity: _____ Drum Motors
 Special Comments: _____



Calculation of Required Belt Pull (Force)

- F = Belt Pull [lbs] = $F = F_0 + F_1 + F_2 + F_3$
 The belt pull for each motorized pulley is given in the tables of the range of standard products. Note that available belt pull varies with nominal belt speed for each power.
- P_n = Belt weight per linear foot [lb/ft]
- P_{pr} = Weight of rotating parts of the belt conveyor per foot length (carrying and return section) [lb/ft]
- P_{m1} = Weight in lbs of the conveyed product on the load section, for each foot of length of the belt conveyor [lb/ft]
- P_{m2} = Weight in lbs of the conveyed product on the return section, for each foot of length of the belt conveyor [lb/ft]
- C_1 = Coefficient of friction between product and belt carrying side
- C_2 = Coefficient of friction between belt carrying side and slider bed
- C_3 = Coefficient of friction between return belt and product
- C_4 = Coefficient of friction between return belt side and slider bed
- L = Length of the conveyor in feet [ft]
- H = Height difference in conveyor [ft]
- F_0 to F_3 = Forces (belt pull) required to move conveyor, as defined below. [lb]

Calculation of Required Belt Pull (Force)

Conveying system	Force without load	Force to convey materials horizontally	Force to convey materials on incline	Accumulation
 Roller bed conveyor	$F_0 = 0.04 \cdot L \cdot (2P_n + P_{pr})$	$F_1 = 0.04 \cdot L \cdot P_{m1}$	$F_2 = H \cdot P_{m1}$	$F_3 = L \cdot P_{m1} \cdot C_1$
 Slider bed conveyor	$F_0 = 1.1 \cdot L \cdot P_n \cdot C_2$	$F_1 = 1.1 \cdot L \cdot P_{m1} \cdot C_2$	$F_2 = H \cdot P_{m1}$	$F_3 = L \cdot P_{m1} \cdot C_1$
 Double slider bed conveyor	$F_0 = L \cdot P_n \cdot (C_2 + C_4)$	$F_1 = L \cdot (P_{m1} \cdot C_2 + P_{m2} \cdot C_4)$	$F_2 = H \cdot (P_{m1} - P_{m2})$	$F_3 = L \cdot (P_{m1} \cdot C_1 + P_{m2} \cdot C_3)$

LIGHT INDUSTRIAL DRUM MOTOR RANGE







Motorized Pulley 80LP

Ø 3.37 in. (80 mm), planetary polymer gearbox

Product description

Due to its strength, reliability, and need for no maintenance, this Motorized Pulley is used in small conveyors, packaging machines, and simple transfer units.

Characteristics

- Asynchronous 3 phase or 1 phase AC induction motor
- Integral motor protection
- Planetary gearbox in polymer or polymer / steel combination
- Low noise operation
- Light and distributed weight
- Maintenance free
- Lifetime lubrication
- Reversible operation
- Motorized Pulleys with RL greater than 21.65 inches have reinforced shaft

Applications

- Small conveyors for light loads, non-continuous use
- Transfer conveyors
- Packaging machines for light loads
- Metal detection, x-ray scanners
- Check stands in supermarkets
- Dry or humid applications

Technical data

Type of motor	Asynchronous squirrel-cage, IEC 34 (VDE 0530)
Insulation class of motor windings	Class F, IEC 34 (VDE 0530)
Available power supplies*	115v/1ph/60Hz, 230v/1ph/60Hz, 230v/3ph/60Hz, 460v/3ph/60Hz
Seal protection rating	IP66
Thermal protection	Bimetallic contact
Allowable ambient temp., 3-ph motor	+41°F to + 104°F
Allowable ambient temp., 1-phase motor	+50° F to +104° F
Max. roller length (RL)	35.91 in

* Other power supply voltages and frequencies are available.



Motorized Pulley 80LP

Ø 3.37 in. (80 mm), planetary polymer gearbox



Materials

Component	Version	Aluminum	Steel	Stainless Steel	Brass /Nickel
Shell	Crowned	Std	Opt	Opt	-
	Cylindrical	Opt	Opt	Opt	-
	Special crowns with grooves	Opt	Opt	Opt	-
End housing	Standard	Std	-	Opt	-
Shaft cap	Standard (with straight/90° free position cable)	Std	-	-	-
Electrical termination	Power cord with straight connector	-	-	Opt	Opt
	Power cord with 90° connector	-	-	Opt	Opt
	Power cord with elbow connector	Opt	-	Opt	-

Options

- Dynamic balancing
- Food grade oil (EU, FDA and USDA)
- Non-horizontal mounting (more than $\pm 5^\circ$)
- For special versions, please contact RULMECA

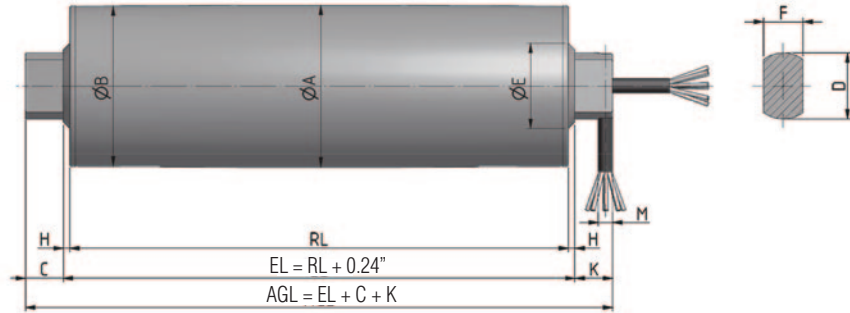
Power Cord Specifications

- Standard, unshielded, 6 feet long
- Other types & lengths available upon request

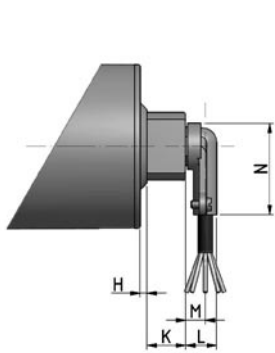


Motorized Pulley 80LP

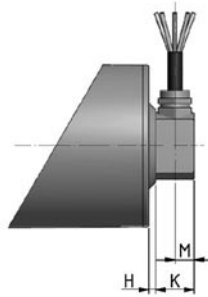
Ø 3.37 in. (80 mm), planetary polymer gearbox



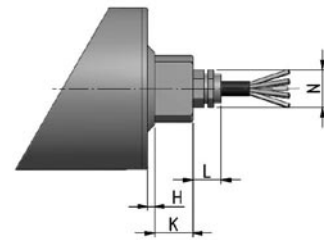
Motorized Pulley Standard Version.



Elbow connector in aluminum.



Cable connection 90°.



Straight connector.

Type/Option	A in	B in	C in	D in	E in	F in	G in	H in	K in	L in	M in	N in	Q in	T in
Motorized Pulley Standard Version	3.37	3.33	0.79	1.38	1.77	0.83		0.12	0.79		0.31			
Elbow connector in aluminum									0.79	0.71	0.47	1.89		
Cable connection 90 °									0.79		0.39			
Straight Connector									0.79	0.59		0.79		

Std. RL shell lengths (in)	11.81	13.78	15.75	17.72	19.69	21.65	23.62	25.6	27.56	29.53	31.5	33.46	35.43
Avg. weight (lbs)	9.5	10.0	10.5	11.0	11.0	11.5	12.0	17.0	17.5	18.0	19.0	20.0	20.5

- Min length: 9.96 in.
- Max length: 35.43 in
- Weights are approximate due to different shell executions and motor powers

Motorized Pulley 80LP

Ø 3.37 in. (80 mm), planetary polymer gearbox



Power & Speed Combinations: 3 phase											
Power HP	Poles	FLA (amps) ¹	No. Gear Stages	Gear Ratio	Nominal belt speed at Full Load 60 Hz fpm ²	Actual belt speed at Full Load 60 Hz fpm ²	Belt Pull lbs	Max. Radial Load T1 + T2 lbs ³	RL in		
0.08	4	0.6/0.4	3	77.1	12	14	112*	450	min 10.59 max 35.43		
				64.4	14	16	112*				
				54.5	18	20	112				
				46.0	24	22	101				
				43.7	26	24	92				
				36.8	30	30	75				
				35.0	35	32	70				
				29.5	38	38	59				
			23.2	48	48	47					
			2	14.2	76	78	29		min 9.96 max 35.43		
0.16	4	0.9/0.7	3	29.5	38	38	94*	450	min 11.50 max 35.43		
				23.2	48	48	94				
			2	14.2	76	78	58			340	min 10.87 max 35.43
				12.0	90	92	49				
				11.3	96	98	46				
						9.5	120	118	38		
						7.5	150	155	29		

Power & Speed Combinations: 1 phase									
Power HP	Poles	FLA (amps) ¹	No. Gear Stages	Gear Ratio	Nominal belt speed at Full Load 60 Hz fpm ²	Actual belt speed at Full Load 60 Hz fpm ²	Belt Pull lbs	Max. Radial Load T1 + T2 lbs ³	RL in
0.08	4	0.05	3	77.1	12	14	112*	450	min 11.02 max 35.43
				64.4	14	16	112*		
				54.5	18	20	112		
				46.0	24	22	101		
				43.7	26	24	92		
				36.8	30	30	75		
				35.0	35	32	70		
				29.5	38	38	59		
			23.2	48	48	47			
			2	14.2	76	78	29		min 10.59 max 35.43
0.1	4	0.07	3	36.8	30	30	90	450	min 11.50 max 35.43
				35.0	35	32	84		
				29.5	38	38	70		
				23.2	48	48	58		
			2	14.2	76	78	36	340	min 10.87 max 35.43
				12.0	90	92	31		
				11.3	96	98	29		
			9.5	120	118	24			

¹ FLA = full load amps at 230 volts & 460 volts (in 3 phase) and 230 volts (in 1 phase), respectively.

² Use "Nominal Speed" to specify pulley. "Actual belt speed" is presented (for unlagged pulley) to assist with process design calculations. See "Actual Speed vs Nominal Speed" section in Technical Precautions. Note that actual belt speed increases when lagging is used due to increased pulley diameter.

³ Pulley must not be subjected to radial load exceeding "Maximum Radial Load". See "Belt Tension" section in Technical Precautions.

* Note that belt pull is restricted in certain (slow speed) cases. Contact Rulmeca for more information.



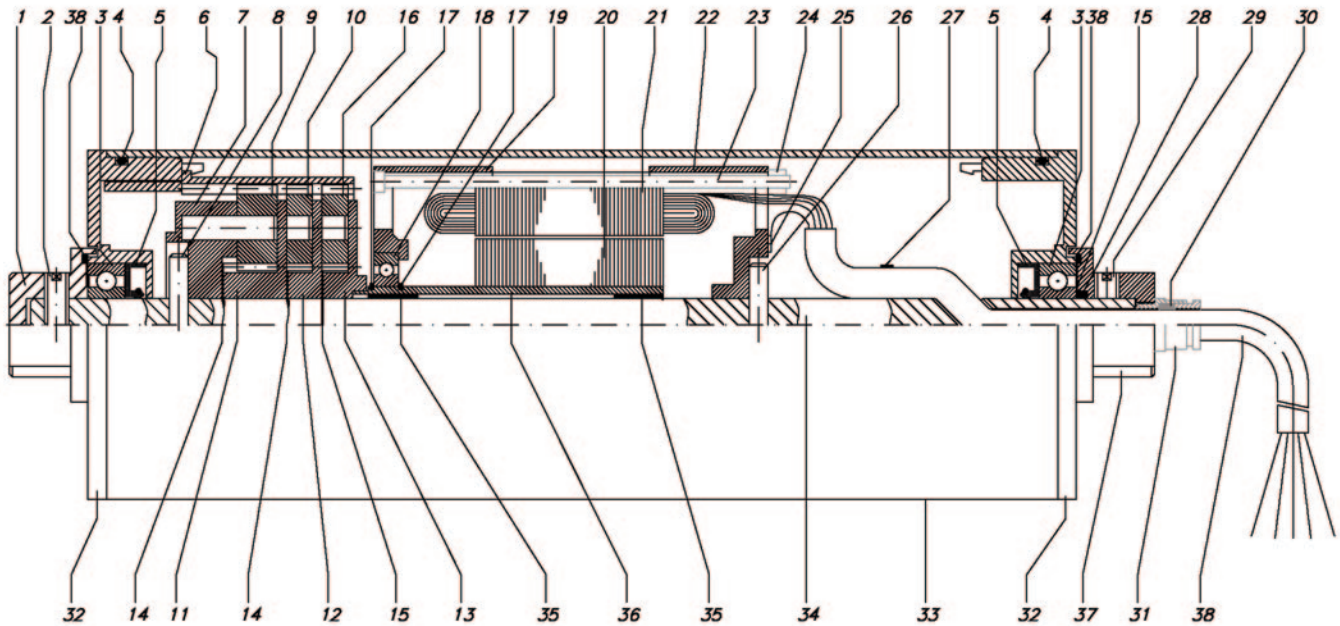
Motorized Pulley 80LP

Ø 3.37 in. (80 mm), planetary polymer gearbox

Spare Parts List and Sectional Drawings

1	Shaft cap (rear)	14	Wavey washer	27	Tywrap
2	Set screw	15	Flat washer	28	O-ring
3	Ball bearing	16	Planet gear (short)	29	Set screw
4	O-ring	17	Circlips	30	Compression seal
5	Oil seal	18	Ball bearing	31	Straight connector
6	Ring gear	19	Stator housing	32	End housing
7	Gear holder	20	Rotor	33	Shell
8	Roll pin	21	Stator	34	Shaft
9	Planet gear (long)	22	Stator housing	35	Rotor journal bearing
10	Planet gear (short)	23	Stator bolt	36	Rotor shaft
11	Sun gear (long)	24	Nut	37	Shaft cap (front)
12	Sun gear (short)	25	Rivet	38	Power cord
13	Gear carrier	26	Dowel pin	39	X-ring

80LP Standard:







Motorized Pulley 113LP

Ø 4.47 in. (113 mm), planetary gearbox
in polymer or polymer / steel combination

Product description

This Motorized Pulley is the ideal drive for light and medium duty conveyors.

Characteristics

- Asynchronous 3 phase or 1 phase AC induction motor
- Integral motor protection
- Planetary gearbox in polymer or polymer / steel combination
- Low noise operation
- Light and distributed weight
- Maintenance free
- Lifetime lubrication
- Reversible operation
- Motorized Pulleys with RL greater than 27.80 inches have reinforced shaft.

Applications

- Small package handling conveyors with high duty cycle
- Transfer conveyors
- Dynamic weighing equipment
- Metal detectors
- Recycling equipment
- Pharmaceutical equipment
- Food processing equipment
- Positive drive and modular belt conveyors
- Dry, humid and wash down applications

Technical data

Type of Motor	Asynchronous squirrel-cage, IEC 34 (VDE 0530)
Insulation class of motor windings	Class F, IEC 34 (VDE 0530)
Available power supplies*	115v/1ph/60Hz, 230v/1ph/60Hz, 230v/3ph/60Hz, 460v/3ph/60Hz
Seal protection rating	IP66
Thermal protection	Bimetallic contact
Allowable ambient temp, 3-ph motor	+41° F to +104° F
Allowable ambient temp, 1-ph motor	+50° F to +104° F
Max. Roller length (RL)	47.72 in

* Other power supply voltages and frequencies are available.



Motorized Pulley 113LP

Ø 4.47 in. (113 mm), planetary gearbox
in polymer or polymer / steel combination



Materials

Component	Version	Aluminum	Steel	Stainless Steel	Brass /Nickel
Shell	Crowned	Std	Opt	Opt	-
	Cylindrical	Opt	Opt	Opt	-
	Special crowns with grooves	Opt	Opt	Opt	-
End housing	Standard	Std	-	Opt	-
Shaft cap	Standard (with straight/90° free position cable)	Std	-	-	-
Electrical termination	Power cord with straight connector	-	-	Opt	Opt
	Power cord with 90° connector	-	-	Opt	Opt
	Power cord with elbow connector	Opt	-	Opt	-

Options

- Dynamic balancing
- Food grade oil (EU, FDA and USDA)
- Non-horizontal mounting (more than $\pm 5^\circ$)
- For special versions, please contact RULMECA

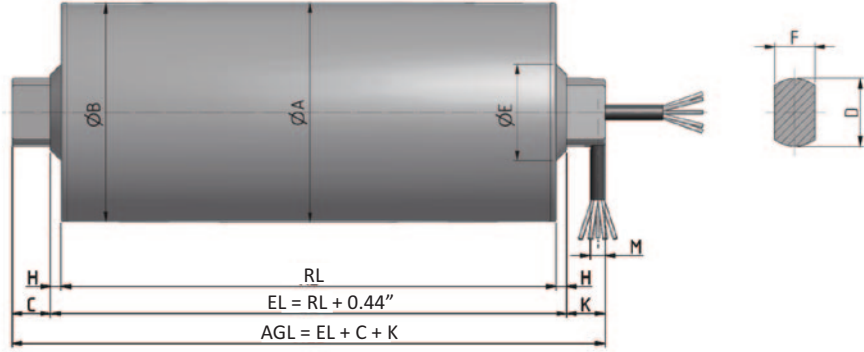
Power Cord Specifications

- Standard, unshielded, 6 feet long
- Other types & lengths available upon request

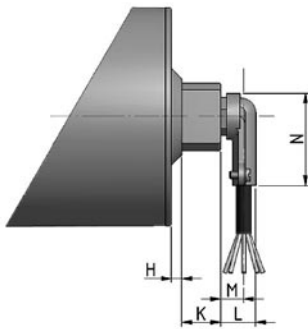


Motorized Pulley 113LP

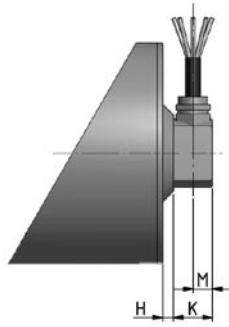
Ø 4.47 in. (113 mm), planetary gearbox in polymer or polymer / steel combination



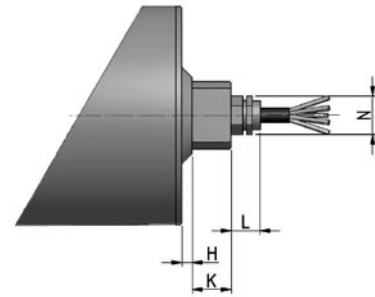
Motorized Pulley Standard Version.



Elbow connector in aluminum.



Cable connection 90°.



Straight connector.

Type/Option	A in	B in	C in	D in	E in	F in	G in	H in	K in	L in	M in	N in	Q in	T in
Motorized Pulley Standard Version	4.47	4.43	0.79	1.38	1.97	0.83		0.22	0.79		0.31			
Elbow Connector in aluminum									0.79	0.71	0.47	1.89		
Cable Connector 90°									0.79		0.39			
Straight Connector									0.79	0.59		0.79		

Std. RL shell lengths (in)	11.81	13.78	15.75	17.72	19.69	21.65	23.62	25.60	27.56	29.53	31.50	+ 1.97 up to 47.24		
Average weight (lbs)	15.0	15.5	16.5	17.5	18.0	19.0	19.5	20.5	21.5	24.0	25.0	+ 1.0 up to 33.0		

- Min lengths: see table at page 8.
- Max length: 47.72in
- Weights are approximate due to different shell executions and motor powers



Motorized Pulley 113LP

Ø 4.47 in. (113 mm), planetary gearbox
in polymer or polymer / steel combination

Power & Speed Combinations: 3 phase														
Power HP	Poles	FLA (amps) ¹	No. Gear Stages	Gear Ratio	Nominal belt speed at Full Load 60 Hz fpm ²	Actual belt speed at Full Load 60 Hz fpm ²	Belt Pull lbs	Max.Radial Load T1 + T2 lbs ³	RL in					
0.08	4	0.8/ 0.4	4	267.7	6	6	202*	450	min 10.08 max 47.24					
				204.5	8	8	199*							
				120.2	12	12	187							
				92.9	14	16	141							
			3	63.4	26	24	94							
				48.4	30	30	75							
				37.3	38	40	56							
				28.6	48	52	43							
				24.9	60	62	36							
				21.9	76	72	31							
				2	14.9	96	100			22				
					11.3	150	139			16				
0.16	4	1.0/ 0.7	3	63.4	24	24	187	450	min 10.08 max 47.24					
				48.4	30	30	150							
				37.3	38	40	112							
				28.6	48	52	87							
				24.9	60	62	72							
				21.9	76	72	62							
			2	14.9	96	100	45							
				11.3	150	139	33							
				9.9	165	163	28							
				0.24	4	1.3/ 0.9	3	37.3		38	40	169	450	min 10.08 max 47.24
								28.6		48	52	130		
								24.9		60	62	109		
21.9	76	72	94											
2	14.9	96	100				67							
	11.3	150	139				49							
	9.9	165	163	42										
	8.7	192	183	37										
0.34	4	1.6/ 1.2	3	7.5	240	211	32	450	min 10.87 max 47.24					
				2	28.6	48	52			180				
					24.9	60	62			151				
			21.9		76	72	130							
			2	14.9	96	100	94							
				11.3	150	139	68							
9.9	165	163		58										
8.7	192	183		52										
0.5	4	2.1/ 1.2	3	7.5	240	211	45	450		min 11.57 max 47.24				
				2	21.9	76	72				193			
			14.9		96	100	139							
			11.3		150	139	100							
			9.9		165	163	86							
			8.7	192	183	76								
7.5	240	211	66											

1 FLA = full load amps at 230 volts & 460 volts, respectively.

2 Use "Nominal Speed" to specify pulley. "Actual belt speed" is presented (for unlagged pulley) to assist with process design calculations. Note that actual belt speed increases when lagging is used due to increased pulley diameter.

3 Pulley must not be subjected to radial load exceeding "Maximum Radial Load" defined above.

* Note that belt pull is restricted in certain (slow speed) cases. Contact Rulmeca for more information.



Motorized Pulley 113LP

Ø 4.47 in. (113 mm), planetary gearbox
in polymer or polymer / steel combination

Power & Speed Combinations: 1 phase									
Power HP	Poles	FLA (amps) ¹	No. Gear Stages	Gear Ratio	Actual belt speed at Full Load 60 Hz fpm ²	Nominal belt speed at Full Load 60 Hz fpm ²	Belt Pull lbs	Max. Radial Load T1 + T2 lbs ³	RL in
0.08	4	NA/ 0.07	4	267.7	6	6	202*	450	min 10.08 max 47.24
				204.5	8	8	199*		
				120.2	12	12	187		
				92.9	14	16	141		
			3	63.4	24	24	94		
				48.4	30	30	75		
				37.3	38	40	56		
				28.6	48	52	43		
				24.9	60	62	36		
				21.9	76	72	31		
2	14.9	96	100	22	340				
	11.3	150	139	16					
0.16	4	2.5/ 0.09	3	63.4	24	24	187	450	min 10.08 max 47.24
				48.4	30	30	150		
				37.3	38	40	112		
				28.6	48	52	87		
				24.9	60	62	72		
				21.9	76	72	62		
			2	14.9	96	100	45	340	
				11.3	150	139	33		
				9.9	165	163	28		
				7.5	240	211	21		
0.24	4	2.9/ 2.3	3	37.3	38	40	169	450	min 10.87 max 47.24
				28.6	48	52	130		
				24.9	60	62	109		
				21.9	76	72	94		
			2	14.9	96	100	67	340	
				11.3	150	139	49		
				9.9	165	163	42		
				8.7	192	183	37		
				7.5	240	211	32		
				7.5	240	211	21		
0.34	4	4.6/ 1.9	3	28.6	48	52	180	450	min 11.57 max 47.24
				24.9	60	62	151		
				21.9	76	72	130		
			2	14.9	96	100	94	340	
				11.3	150	139	68		
				9.9	165	163	58		
				8.7	192	183	52		
				7.5	240	211	45		

1 FLA = full load amps at 115 volts & 230 volts, respectively.

2 Use "Nominal Speed" to specify pulley. "Actual belt speed" is presented (for unlagged pulley) to assist with process design calculations. Note that actual belt speed increases when lagging is used due to increased pulley diameter.

3 Pulley must not be subjected to radial load exceeding "Maximum Radial Load" defined above.

* Note that belt pull is restricted in certain (slow speed) cases. Contact Rulmeca for more information.



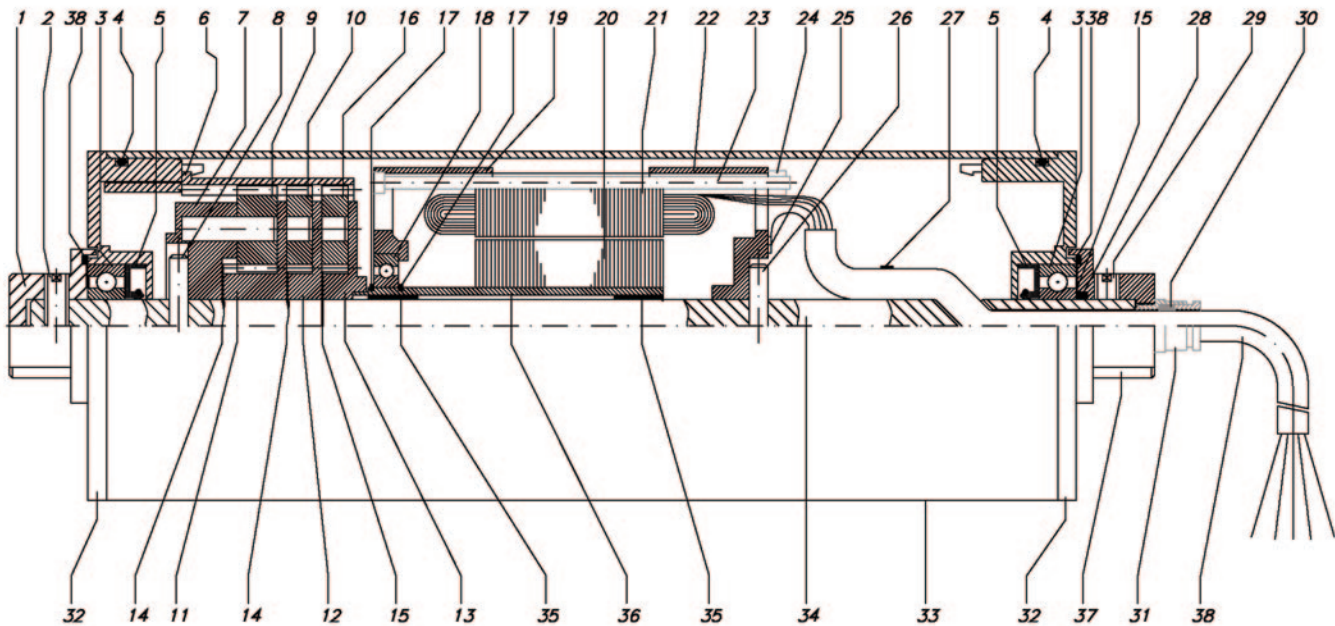
Motorized Pulley 113LP

Ø 4.47 in. (113 mm), planetary gearbox
in polymer or polymer / steel combination

Spare Parts List and Sectional Drawings

1	Shaft cap (rear)	14	Wavey washer	27	Tywrap
2	Set screw	15	Flat washer	28	O-ring
3	Ball bearing	16	Planet gear (short)	29	Set screw
4	O-ring	17	Circlips	30	Compression seal
5	Oil seal	18	Ball bearing	31	Straight connector
6	Ring gear	19	Stator housing	32	End housing
7	Gear holder	20	Rotor	33	Shell
8	Roll pin	21	Stator	34	Shaft
9	Planet gear (long)	22	Stator housing	35	Rotor journal bearing
10	Planet gear (short)	23	Stator bolt	36	Rotor shaft
11	Sun gear (long)	24	Nut	37	Shaft cap (front)
12	Sun gear (short)	25	Rivet	38	Power cord
13	Gear carrier	26	Dowel pin	39	X-ring

113LP Standard:





Motorized Pulley 138LP

Ø 5.32 in. (135 mm), planetary gearbox
in polymer or polymer / steel combination

Product description

This Motorized Pulley is the ideal drive for light and medium duty conveyors.

Characteristics

- 3 phase or 1 phase AC induction motor
- Integral motor protection
- Planetary gearbox in polymer or polymer / steel combination
- Low noise operation
- Light and distributed weight
- Maintenance free
- Reversible operation

Applications

- Conveyors for light loads
- Transfer conveyors
- Packaging equipment
- X-ray inspection systems at airports
- Recycling bottles
- Pharmaceutical equipment
- Food processing equipment
- Cash desks in supermarkets
- Dry, humid and wash down applications

Technical data

Type of Motor	Asynchronous squirrel-cage, IEC 34 (VDE 0530)
Insulation class of motor windings	Class F, IEC 34 (VDE 0530)
Available power supplies*	115v/1ph/60Hz, 230v/1ph/60Hz, 230v/3ph/60Hz, 460v/3ph/60Hz
Seal protection rating	IP66
Thermal protection	Bimetallic contact
Allowable ambient temp, 3-ph motor	+41° F to +104° F
Allowable ambient temp, 1-ph motor	+50° F to +104° F
Max. Roller length (RL)	47.72 in

* Other power supply voltages and frequencies are available.





Motorized Pulley 138LP

Ø 5.32 in. (135 mm), planetary gearbox
in polymer or polymer / steel combination

Materials

Component	Version	Aluminum	Steel	Stainless Steel	Brass /Nickel
Shell	Crowned	Std	Opt	Opt	-
	Cylindrical	Opt	Opt	Opt	-
	Special crowns with grooves	Opt	Opt	Opt	-
End housing	Standard	Std	-	Opt	-
Shaft cap	Standard (with straight/90° free position cable)	Std	-	-	-
Electrical termination	Power cord with straight connector	-	-	Opt	Opt
	Power cord with 90° connector	-	-	Opt	Opt
	Power cord with elbow connector	Opt	-	Opt	-

Options

- Rubber lagging
- Dynamic balancing
- Food grade oil (EU, FDA and USDA)
- Oil for low temperatures
- Non-horizontal mounting (more than ± 5 °)
- For special versions, please contact RULMECA

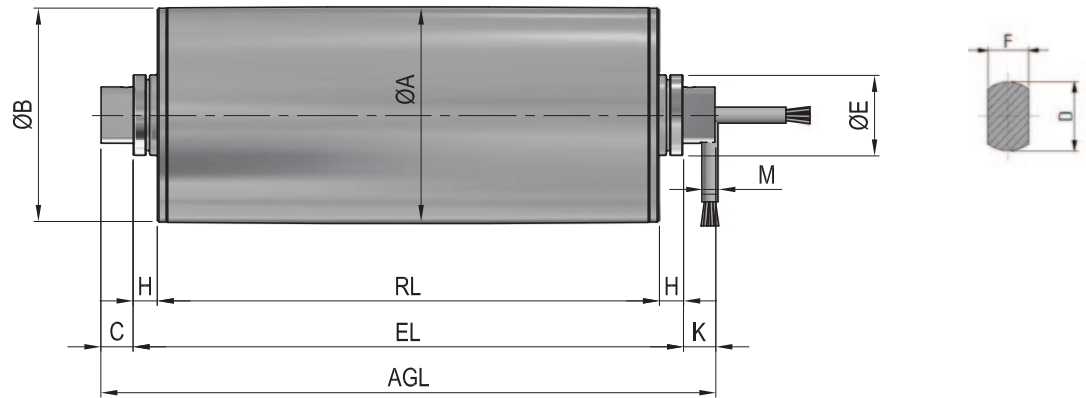
Power Cord Specifications

- Standard, unshielded, 6 feet long
- Other types & lengths available upon request

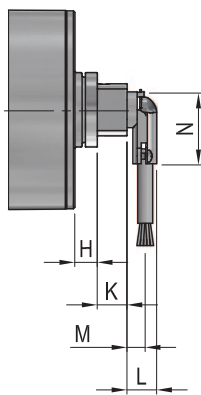


Motorized Pulley 138LP

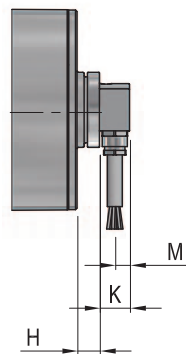
Ø 5.32 in. (135 mm), planetary gearbox
in polymer or polymer / steel combination



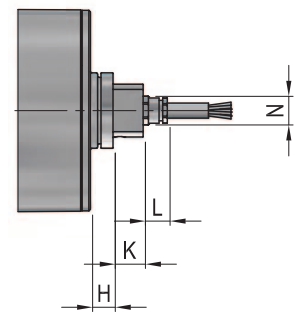
Motorized Pulley Standard Version.



Elbow connector in aluminum.



Cable connection 90°.



Straight connector.

Type/Option	A in	B in	C in	D in	E in	F in	G in	H in	K in	L in	M in	N in	Q in	T in
Motorized Pulley Standard Version	5.30	5.26	0.79	1.38	1.97	0.83		0.59	0.79		0.31			
Elbow Connector in aluminum									0.79	0.71	0.47	1.89		
Cable Connector 90°									0.79		0.39			
Straight Connector									0.79	0.59		0.79		

Std. RL shell lengths (in)	11.81	13.78	15.75	17.72	19.69	21.65	23.62	25.60	27.56	29.53	31.50	+ 1.97 up to 47.24		
Average weight (lbs)	15.0	15.5	16.5	17.5	18.0	19.0	19.5	20.5	21.5	24.0	25.0	+ 1.0 up to 33.0		

- Min lengths: see tables on pages 29 - 32.
- Max length: 47.72in
- Weights are approximate due to different shell executions and motor powers

Motorized Pulley 138LP

Ø 5.32 in. (135 mm), planetary gearbox
in polymer or polymer / steel combination



Power & Speed Combinations: 3 phase												
Power HP	Poles	FLA (amps) ¹	No. Gear Stages	Gear Ratio	Nominal belt speed at Full Load 60 Hz fpm ²	Actual belt speed at Full Load 60 Hz fpm	Belt Pull lbs	Max. Radial Load T1 + T2 lbs ³	RL in			
0.08	4	0.38/ 0.22	4	316.8	8	7	397	450	min 11.02 max 47.72			
				185.1	12	11	232					
				141.4	14	15	177					
				108.0	18	20	135					
			3	74.3	30	28	93					
				56.6	38	37	71					
				43.1	48	49	54					
				32.7	60	64	41					
				28.4	76	74	36					
				24.6	90	86	31					
				21.3	96	99	27					
				2	16.8	120	125			21	340	min 10.83 max 47.72
			0.16	4	0.7/ 0.5	4	185.1			12	11	464
141.4	14	15					355					
108.0	18	20					271					
3	74.3	30				28	186					
	56.6	38				37	142					
	43.1	48				49	108					
	32.7	60				64	82					
	28.4	76				74	71					
	24.6	90				86	62					
	21.3	96				99	53					
2	16.8	120				125	42	340	min 11.61 max 47.72			
	12.6	165				167	32					
	10.9	192				194	27					
	9.4	220				223	24					
	8.1	240				260	20					
0.24	4	1.0/ 0.6				4	141.4	14	15	532	450	min 12.20 max 47.72
							108.0	18	20	406		
			3	74.3	30	28	279					
				56.6	38	37	213					
				43.1	48	49	162					
				32.7	60	64	123					
				28.4	76	74	107					
				24.6	90	86	92					
			2	21.3	96	99	80	340	min 12.01 max 47.72			
				16.8	120	125	63					
				12.6	165	167	48					
				10.9	192	194	41					
				9.4	220	223	36					
				8.1	240	260	30					

- 1 FLA = full load amps at 230 volts & 460 volts, respectively.
- 2 Use "Nominal Speed" to specify pulley. "Actual belt speed" is presented (for unlagged pulley) to assist with process design calculations. Note that actual belt speed increases when lagging is used due to increased pulley diameter.
- 3 Pulley must not be subjected to radial load exceeding "Maximum Radial Load" defined above.
- * Note that belt pull is restricted in certain (slow speed) cases. Contact Rulmeca for more information.



Motorized Pulley 138LP

Ø 5.32 in. (135 mm), planetary gearbox
in polymer or polymer / steel combination

Power & Speed Combinations: 3 phase										
Power HP	Poles	FLA (amps) ¹	No. Gear Stages	Gear Ratio	Nominal belt speed at Full Load 60 Hz fpm ²	Actual belt speed at Full Load 60 Hz fpm	Belt Pull lbs	Max. Radial Load T1 + T2 lbs ³	RL in	
0.34	4	1.3/ 0.75	4	108.0	18	20	575	450	min 12.60 max 47.72	
				74.3	30	28	396			
			3	56.6	38	37	302			
				43.1	48	49	230			
				32.7	60	64	174			
				28.4	76	74	151			
				24.6	90	86	131			
				21.3	96	99	113			
			2	16.8	120	125	90			
				12.6	165	167	67			
				10.9	192	194	58			
				9.4	220	223	50			
				340	8.1	240	260			43
0.5	4	2.4/ 1.4	3	74.3	30	28	582	450	min 12.99 max 47.72	
				56.6	38	37	444			
				43.1	48	49	338			
				32.7	60	64	256			
				28.4	76	74	222			
				24.6	90	86	192			
				21.3	96	99	167			
			2	16.8	120	125	132			
				12.6	165	167	99			
				10.9	192	194	85			
				9.4	220	223	74			
				340	8.1	240	260	63		
				0.74	4	2.9/ 1.7	3	43.1	48	49
32.7	60	64	380							
28.4	76	74	329							
24.6	90	86	285							
21.3	96	99	246							
2	16.8	120	125				195			
	12.6	165	167				147			
	10.9	192	194				126			
	9.4	220	223				109			
	340	8.1	240				260	94		

1 FLA = full load amps at 230 volts & 460 volts, respectively.

2 Use "Nominal Speed" to specify pulley. "Actual belt speed" is presented (for unlagged pulley) to assist with process design calculations. Note that actual belt speed increases when lagging is used due to increased pulley diameter.

3 Pulley must not be subjected to radial load exceeding "Maximum Radial Load" defined above.

* Note that belt pull is restricted in certain (slow speed) cases. Contact Rulmeca for more information.



Motorized Pulley 138LP

Ø 5.32 in. (135 mm), planetary gearbox
in polymer or polymer / steel combination

Power & Speed Combinations: 1 phase											
Power HP	Poles	FLA (amps) ¹	No. Gear Stages	Gear Ratio	Nominal belt speed at Full Load 60 Hz ²	Actual belt speed at Full Load 60 Hz fpm	Belt Pull lbs	Max. Radial Load T1 + T2 lbs ³	RL in		
0.12	4	0.7	4	185.08	12	11	348	450	min 11.42 max 47.74		
				141.38	14	15	266				
				107.95	18	20	203				
			3	74.27	30	28	140				
				56.60	38	37	106				
				43.07	48	49	81				
				32.72	60	64	62				
				28.36	76	74	53				
				24.56	90	86	46				
				21.25	96	99	40				
			2	16.83	120	125	32			340	min 11.22 max 47.72
				12.64	165	167	24				
10.88	192	194		20							
9.44	220	223		18							
0.16	4	1.05	4	185.08	12	11	464	450	min 11.42 max 47.72		
				141.38	14	15	355				
				107.95	18	20	271				
			3	74.27	30	28	186				
				56.60	38	37	142				
				43.07	48	49	108				
				32.72	60	64	82				
				28.36	76	74	71				
				24.56	90	86	62				
				21.25	96	99	53				
			2	16.83	120	125	42		340	min 11.61 max 47.72	
				12.64	165	167	32				
10.88	192	194		27							
9.44	220	223		24							
8.09	240	260		20							
0.24	4	1.6	4	141.38	14	15	532	450	min 11.81 max 47.72		
				107.95	18	20	406				
			3	74.27	30	28	279				
				56.60	38	37	213				
				43.07	48	49	162				
				32.72	60	64	123				
				28.36	76	74	107				
				24.56	90	86	92				
			2	21.25	96	99	80		340	min 12.60 max 47.72	
				16.83	120	125	63				
				12.64	165	167	48				
				10.88	192	194	41				
9.44	220	223		36							
8.09	240	260		30							

1 FLA = full load amps at 230 volts.

2 Use "Nominal Speed" to specify pulley. "Actual belt speed" is presented (for unlagged pulley) to assist with process design calculations. Note that actual belt speed increases when lagging is used due to increased pulley diameter.

3 Pulley must not be subjected to radial load exceeding "Maximum Radial Load" defined above.

* Note that belt pull is restricted in certain (slow speed) cases. Contact Rulmeca for more information.



Motorized Pulley 138LP

Ø 5.32 in. (135 mm), planetary gearbox
in polymer or polymer / steel combination

Power & Speed Combinations: 1 phase													
Power HP	Poles	FLA (amps) ¹	No. Gear Stages	Gear Ratio	Nominal belt speed at Full Load 60 Hz fpm ²	Actual belt speed at Full Load 60 Hz fpm	Belt Pull lbs	Max. Radial Load T1 + T2 lbs ³	RL in				
0.34	4	2.1	4	107.95	18	20	575	450	min 12.40 max 47.72				
				3	74.27	30	28		396	min 12.99 max 47.72			
			56.60		38	37	302						
			43.07		48	49	230						
			32.72		60	64	174						
			28.36		76	74	151						
			24.56		90	86	131						
			2	21.25	96	99	113						
				16.83	120	125	90		340	min 12.80 max 47.72			
				12.64	165	167	67						
				10.88	192	194	58						
				9.44	220	223	50						
				8.09	240	260	43						
			0.5	4	2.6	3	74.27				30	28	582
56.60	38	37					444						
43.07	48	49					338						
32.72	60	64					256						
28.36	76	74					222						
24.56	90	86					192						
2	21.25	96				99	167	340	min 13.19 max 47.72				
	16.83	120				125	132						
	12.64	165				167	99						
	10.88	192				194	85						
	9.44	220				223	74						
	8.09	240				260	63						
0.67	4	3.6				3	56.60	38	37	594	450	min 13.78 max 47.72	
							43.07	48	49	452			
			32.72	60	64		344						
			28.36	76	74		298						
			24.56	90	86		258						
			21.25	96	99		223						
			2	16.83	120	125	177	340	min 13.58 max 47.72				
				12.64	165	167	133						
				10.88	192	194	114						
				9.44	220	223	99						
				8.09	240	260	85						

1 FLA = full load amps at 230 volts.
 2 Use "Nominal Speed" to specify pulley. "Actual belt speed" is presented (for unlagged pulley) to assist with process design calculations. Note that actual belt speed increases when lagging is used due to increased pulley diameter.
 3 Pulley must not be subjected to radial load exceeding "Maximum Radial Load" defined above.
 * Note that belt pull is restricted in certain (slow speed) cases. Contact Rulmeca for more information.



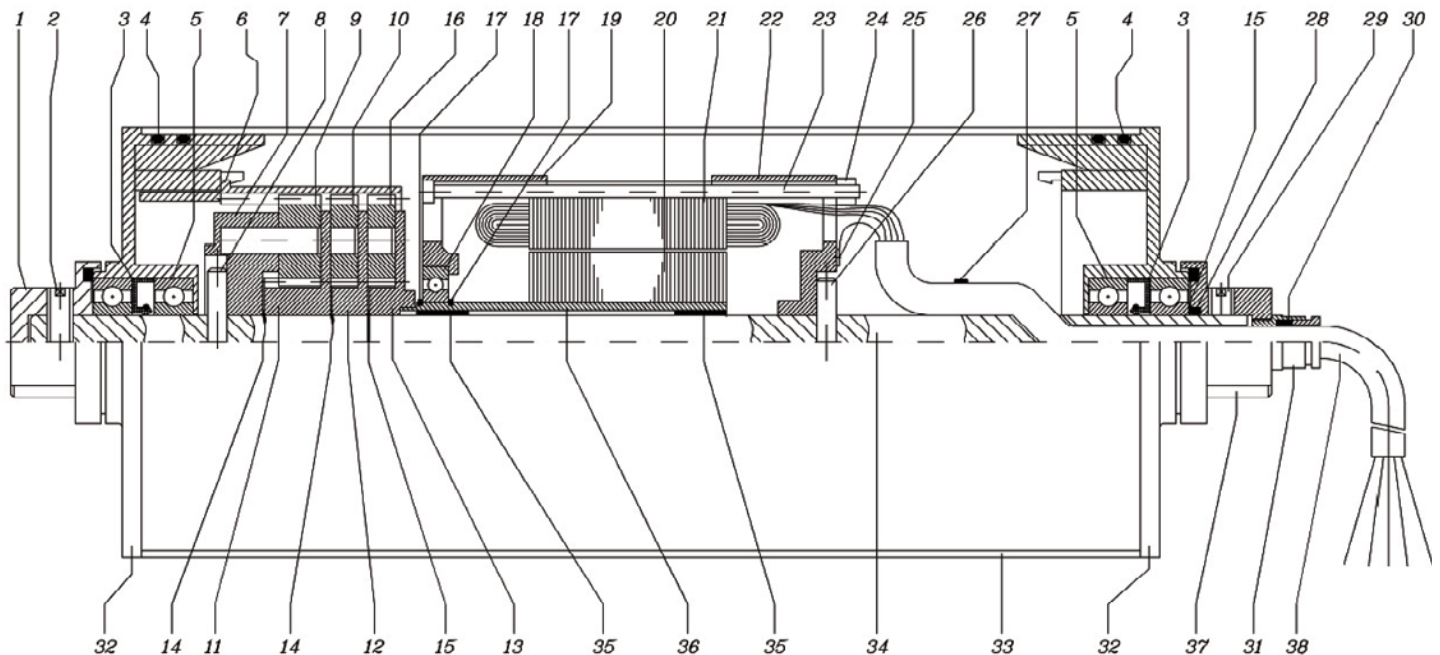
Motorized Pulley 138LP

Ø 5.32 in. (135 mm), planetary gearbox
in polymer or polymer / steel combination

Spare Parts List and Sectional Drawings

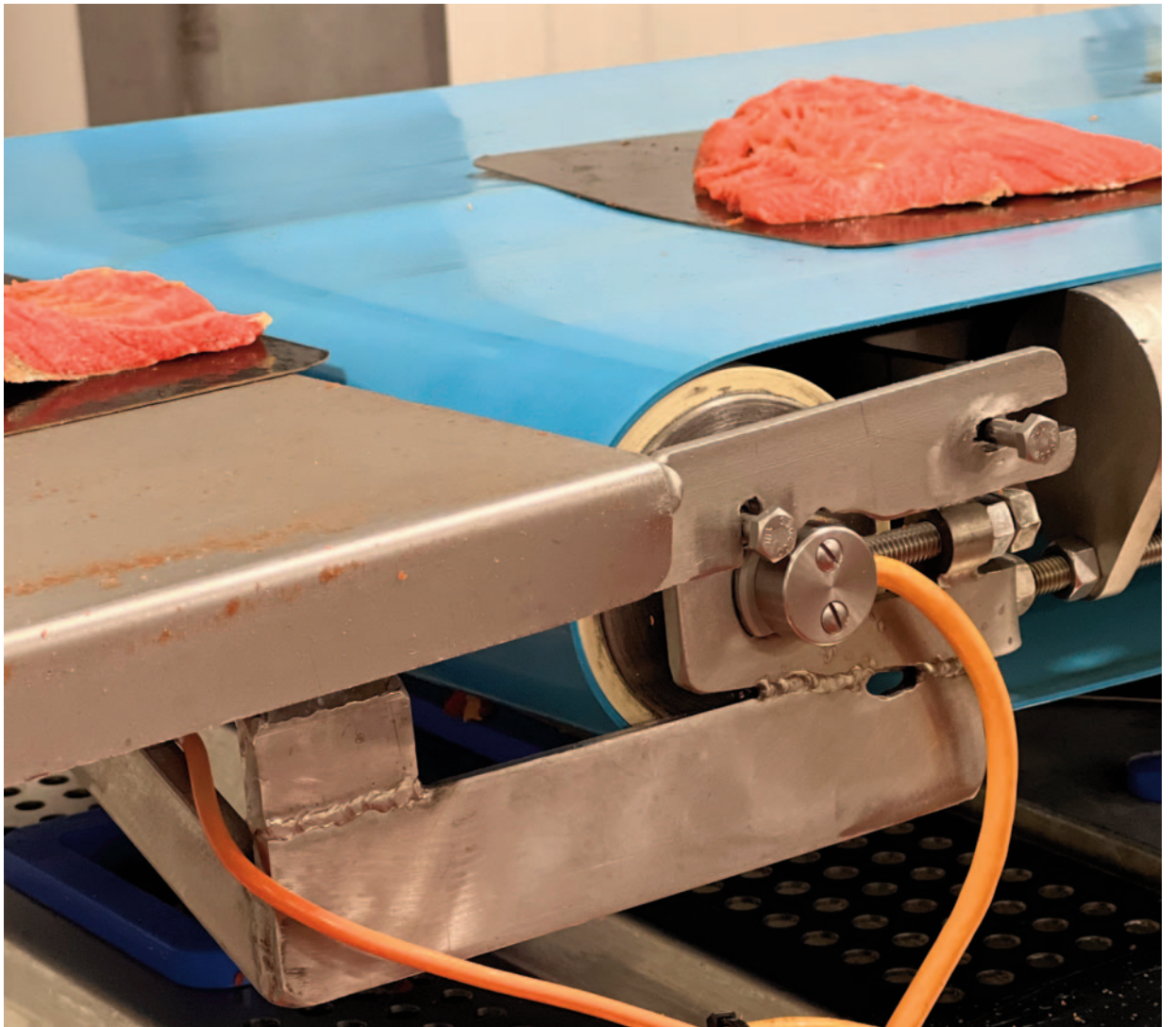
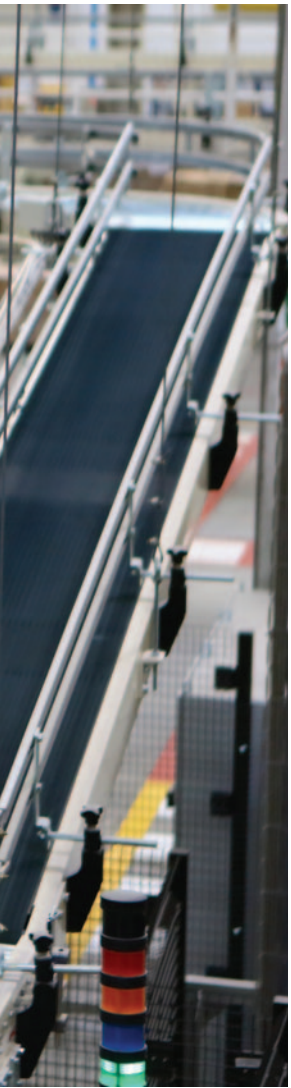
1	End shaft	14	Wavey washer	27	Cable strip
2	Set screw	15	Flat washer	28	O-ring
3	O seal ring	16	Planet wheel (short)	29	Set screw
4	O-ring	17	Circlips	30	Cable seal ring
5	Ball bearing	18	Ball bearing	31	Gland
6	Gear rim	19	Stator housing	32	End housing
7	Gear holder	20	Rotor	33	Shell
8	Roll pin	21	Stator	34	Shaft
9	Planet wheel (long)	22	Stator housing (long)	35	Rotor journal bearing
10	Planet wheel (short)	23	Stator bolt	36	Rotor shaft
11	Sun wheel (long)	24	Nut	37	Shaft cap
12	Sun wheel (short)	25	Rivet	38	Power cord
13	Wheel carrier	26	Dowel pin		

138LP Standard:



INDUSTRIAL DRUM MOTOR RANGE







Motorized Pulley 80LS

Ø 3.21 in. (80 mm), helical steel gearbox

Product description

This Motorized Pulley is perfect for high torque applications with limited space or access.

Characteristics

- Asynchronous 3 phase AC induction motor
- Integral motor protection
- Hardened steel helical gearbox
- Low noise operation
- Reversible operation
- Motorized Pulleys with RL greater than 19.69 inches have reinforced shaft.

Applications

- Small package handling conveyors with high duty cycle
- Dynamic weighing equipment
- Metal detectors
- Pharmaceutical equipment
- Food processing equipment
- Positive drive and modular belt conveyors
- Dry, humid and wash down applications

Technical data

Type of Motor	Asynchronous squirrel-cage, IEC 34 (VDE 0530)
Insulation class of motor windings	Class F, IEC 34 (VDE 0530)
Available power supplies*	230v/3ph/60Hz, 460v/3ph/60Hz
Seal protection rating (standard)	P66
Seal protection rating (optional)	IP69
Thermal protection	Bimetallic contact
Allowable ambient temp, 3-ph motor	+32° F to +104° F
Max. roller length (RL)	39.37 in

* Other power supply voltages and frequencies are available.



Motorized Pulley 80LS

Ø 3.21 in. (80 mm), helical steel gearbox



Materials

Component	Version	Aluminum	Steel	Stainless steel
Shell	Crowned	-	Std	Opt
	Cylindrical	-	Std	Opt
	Cylindrical with key (for sprockets)	-	Opt	Opt
	Special profiles	-	Opt	Opt
End housing	Standard	Std	-	Opt
Shaft	Standard	-	-	Std
	Cross-drilled and threaded, M6	-	-	Opt
Electrical termination	Power cord, straight ss connector	-	-	Std
	Power cord, elbow ss connector	-	-	Std
	Power cord, with shaft cap & ss elbow connector	-	-	Std

Options

- Rubber lagging for standard belts
- Profiled lagging for positive drive belts
- Profiled ss shells for positive drive belts
- Mechanical backstop
- Special smooth stainless steel end housings, slotted screw oil plugs, Viton® shaft seals and PTFE deflection seals (option TS8N) for IP69 sealing.
- Electromagnetic brake
- Rectifier
- Encoder
- Food grade oil (EU, FDA and USDA)
- Non-horizontal mounting (more than $\pm 5^\circ$)

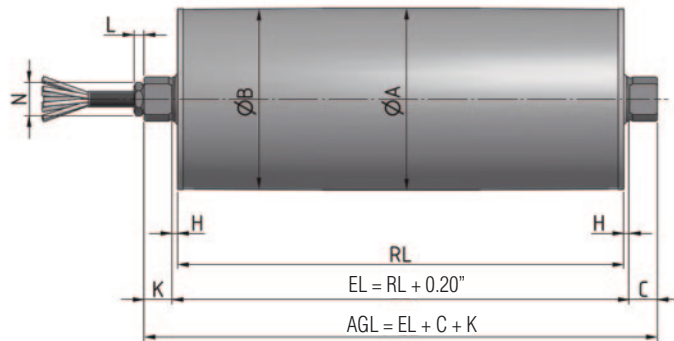
Power Cord Specifications

- Standard, shielded, 10 feet long
- Other types & lengths available upon request

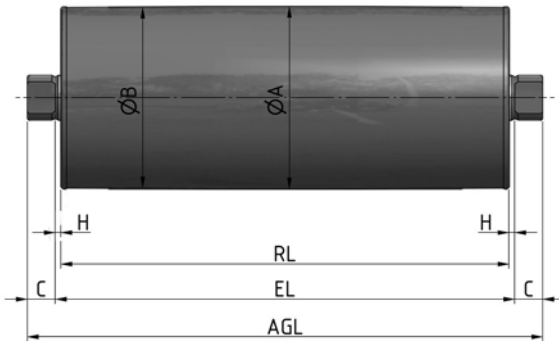


Motorized Pulley 80LS

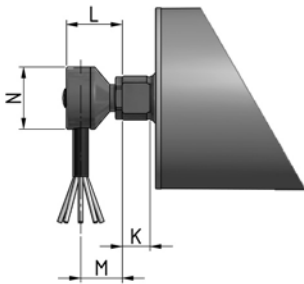
Ø 3.21 in. (80 mm), helical steel gearbox



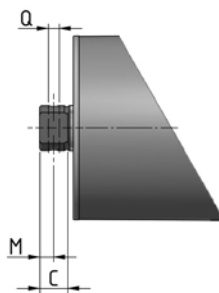
Standard Motorized Pulley with straight stainless steel connector



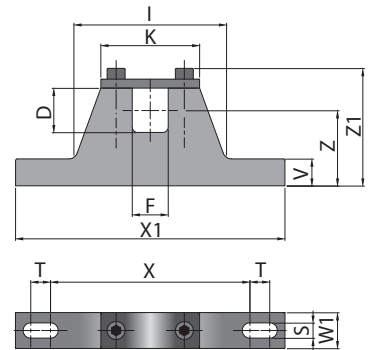
Idler Pulley



Standard shaft with ss elbow connector

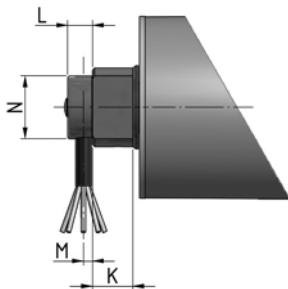


Cross-drilled and threaded shaft.



MC = Mounting bracket center-to-center spacing = $RL + 0.59$ "

Mounting bracket



Shaft cap with ss elbow connector

Motorized Pulley 80LS

Ø 3.21 in. (80 mm), helical steel gearbox



Dimensions for Motorized Pulley 80LS

Type/Option	A in	B in	C in	D in	E in	F in	G in	H in	K in	L in	M in	N in	Q in	T in
Standard shaft, ss straight connector	3.21	3.17	0.49	0.67		0.53		0.1	0.49	0.18		0.59		
Standard shaft, ss elbow connector									0.49	0.98	0.73	1.1		
Cross-drilled and threaded shaft			0.49								0.25		M6	
Shaft cap, ss elbow connector				1.38		0.83			0.71	0.43	0.16	1.1		

Revised Dimensions for options

The following options increase the minimum roller length (RL)

Option	Optional RL min.
Electromagnetic brake	Standard RL min. + 1.97in
Encoder	Standard RL min. + 1.97in

Dimensions, materials, and weights for Mounting Brackets

Motorized Pulley	Standard Material	Optional Material	D in	F in	I in	K in	S in	T in	V in	W1 in	X in	X1 in	Z in	Z in	Thread	Wt lbs
80LS	Aluminum	Stainless steel	0.67	0.53	2.24	1.50	0.26	0.35	0.47	0.39	2.83	4.06	1.38	2.17	M6	0.3/0.5

Standard weights for Motorized Pulley 80LS

Power HP	Poles	Standard weight [lbs] for standard RL [in]													
		7.87	9.84	11.81	13.78	15.75	17.72	19.69	21.65	23.62	25.59	27.56	31.5	35.43	39.37
0.027	8	---	7.5	8.5	9.5	10.5	11.5	12.5	13.5	14.5	15.5	16.5	17.5	18.5	19.5
0.047	4	6.0	7.0	8.0	9.0	10.0	11.0	12.0	13.0	14.0	15.0	16.0	17.0	18.0	19.0
0.09	4	---	7.5	8.5	9.5	10.5	11.5	12.5	13.5	14.5	15.5	16.5	17.5	18.5	19.5
	2	6.0	7.0	8.0	9.0	10.0	11.0	12.0	13.0	14.0	15.0	16.0	17.0	18.0	19.0
0.16	2	---	7.5	8.5	9.5	10.5	11.5	12.5	13.5	14.5	15.5	16.5	17.5	18.5	19.5



Motorized Pulley 80LS

Ø 3.21 in. (80 mm), helical steel gearbox

Power & Speed Combinations: 3 phase									
Power HP	Poles (rpm)	FLA (amps) ¹	No. Gear Stages	Gear Ratio	Nominal belt speed at Full Load 60 Hz fpm ²	Actual belt speed at Full Load 60 Hz fpm ²	Belt Pull lbs	Max. Radial Load T1 + T2 lbs ³	RL in
0.05	4 (1670)	0.52/0.27	3	53.89	26	26	57	810	min 7.87 max 47.24
				37.78	38	38	40		
				30.88	48	45	33		
			2	21.23	72	66	22	600	
0.09	4 (1630)	0.79/0.40	3	53.89	26	26	116	810	min 9.84 max 47.24
				37.78	38	35	82		
				30.88	48	45	67		
			2	21.23	60	64	46	600	
				14.88	90	92	32		
				12.16	120	111	26		
	2 (3180)	0.60/0.31	3	53.89	52	50	60	600	min 7.87 max 47.24
				37.78	72	71	42		
30.88				90	85	34			
2			21.23	120	125	24	475		
0.16	2 (3230)	0.78/0.35	3	53.89	52	50	101	600	min 9.84 max 47.24
				37.78	72	71	71		
				30.88	90	87	58		
			2	21.23	120	128	40	475	
				14.88	180	182	28		
				12.16	220	222	23		
0.21	2 (3180)	0.70/0.46	3	53.89	52	50	137	600	min 11.81 max 47.24
				37.78	72	71	96		
				30.88	90	85	78		
			2	21.23	120	125	54	475	
				14.88	180	179	38		
				12.16	220	217	31		

- 1 FLA = full load amps at 230volts and 460 volts, respectively.
- 2 Use "Nominal Speed" to specify pulley. "Actual belt speed" is presented (for unlagged pulley) to assist with process design calculations. See "Actual Speed vs Nominal Speed" section in Technical Precautions. Note that actual belt speed increases when lagging is used due to increased pulley diameter.
- 3 Pulley must not be subjected to radial load exceeding "Maximum Radial Load" defined above. See "Belt Tension" section in Technical Precautions.

Motorized Pulley 80LS

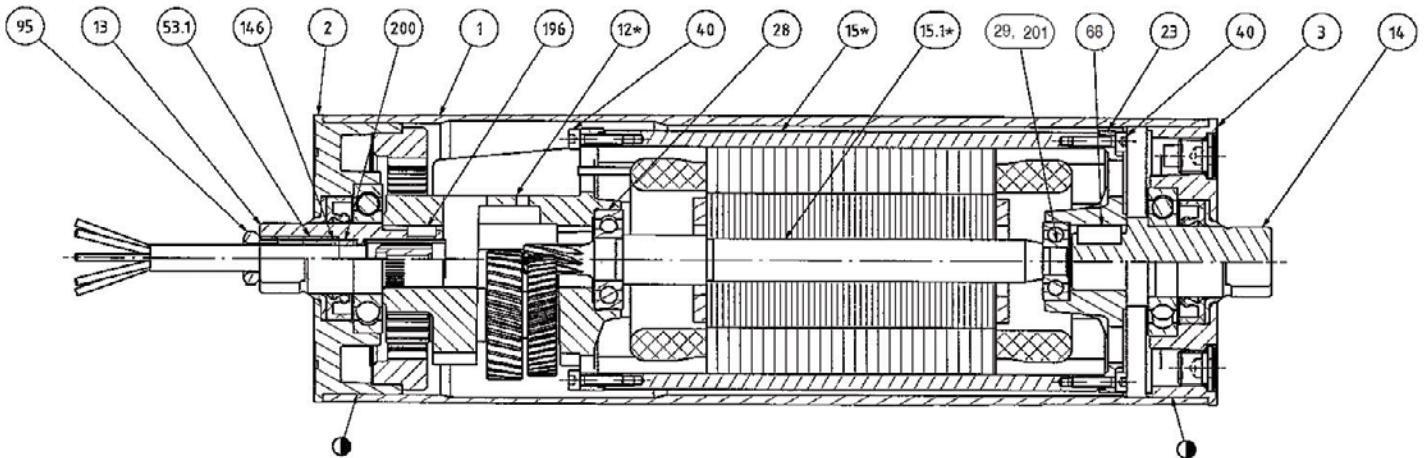
Ø 3.21 in. (80 mm), helical steel gearbox



Spare Parts List and Sectional Drawings

1	Pulley shell	15.1*	Rotor assembly	95	Straight connector
2	Bearing housing	23	Rear flange	146	Washer
3	Bearing housing	28	Ball bearing	196	Key
12*	Gearbox (3 stage shown)	29	Ball bearing	200	Rubber seal
13	Front shaft	40	Hexagon socket screw	201	Encoder (if applicable)
14	Rear shaft	53.1	Pressure nipple		
15*	Stator	68	Key		

80LS Standard: 3 stage gearbox with power cord



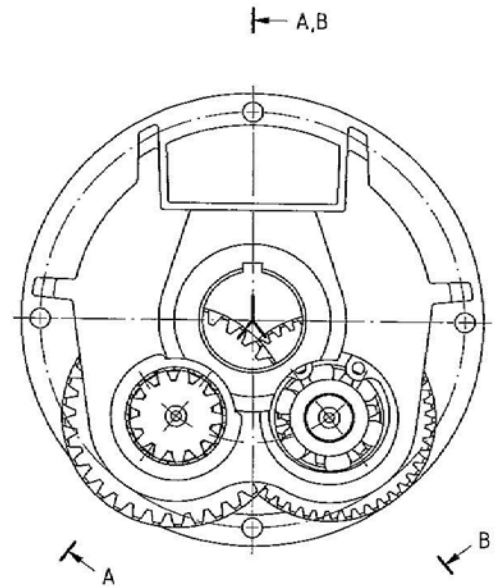
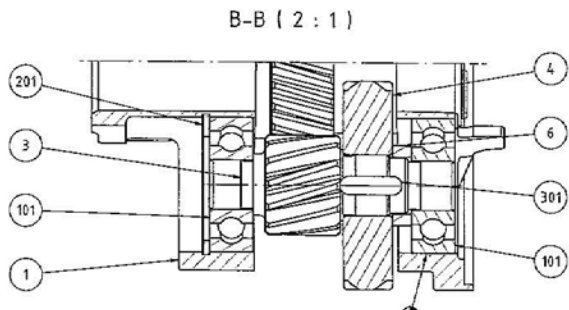
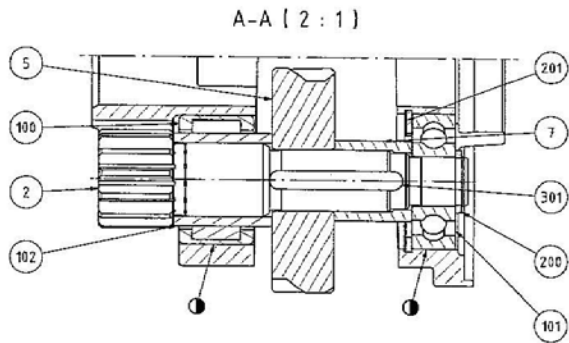
* Variable parts for other speeds and powers

Motorized Pulley 80LS

Ø 3.21 in. (80 mm), helical steel gearbox

Spare Parts List and Sectional Drawings for Gearbox

1	Gear housing	6	Distance nipple	200	Retaining ring
2	Output pinion shaft	7	Distance nipple	201	Retaining ring
3	Intermediate pinion shaft	100	Needle bearing	300	Key
4	Input wheel	101	Ball bearing	301	Key
5	Intermediate wheel	102	Inner ring		

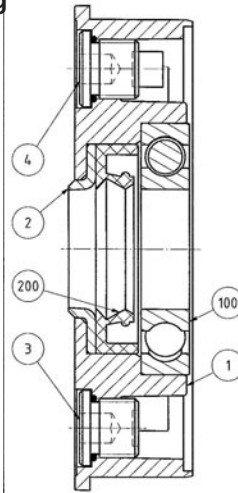


Motorized Pulley 80LS

Ø 3.21 in. (80 mm), helical steel gearbox

Spare Parts List and Sectional Drawing for End Housing

- 1 End housing
- 2 Deflection seal
- 3 Oil plug
- 4 Oil plug with magnet
- 100 Ball bearing
- 200 Shaft seal



Motorized Pulley 113LS

Ø 4.53 in. (113 mm), helical steel gearbox

Product description

This Motorized Pulley is ideal for light duty industrial applications.

Characteristics

- Asynchronous 3 phase AC induction motor
- Integral motor protection
- Hardened steel helical gearbox
- Low noise operation
- Reversible operation
- Motorized Pulleys with RL greater than 31.50 inches have reinforced shaft.

Applications

- Package handling conveyors with frequent use
- Airport luggage check-in conveyors
- Dynamic weighing equipment
- Metal detectors
- Pharmaceutical equipment
- Food processing equipment
- Positive drive and modular belt conveyors
- Dry, humid and wash down applications

Technical data

Type of Motor	Asynchronous squirrel-cage, IEC 34 (VDE 0530)
Insulation class of motor windings	Class F, IEC 34 (VDE 0530)
Available power supplies*	230v/3ph/60Hz, 460v/3ph/60Hz
Seal protection rating (standard)	IP66
Seal protection rating (optional)	IP69
Thermal protection	Bimetallic contact
Allowable ambient temp, 3-ph motor	+41° F to +104° F
Max. Roller length (RL)	55.12 in

* Other power supply voltages and frequencies are available.



Motorized Pulley 113LS

Ø 4.53 in. (113 mm), helical steel gearbox

Materials

Component	Version	Aluminum	Steel	Stainless steel
Shell	Crowned	-	Opt	Std
	Cylindrical	-	Opt	Std
	Cylindrical with key (for sprockets)	-	Opt	Opt
	Special profiles	-	Opt	Opt
End housing	Standard	Std	-	Opt
Shaft	Standard	-	-	Std
	Cross-drilled and threaded, M6	-	-	Opt
Electrical termination	Power cord w/straight ss connector	-	-	Std
	Power cord w/elbow ss connector	-	-	Std
	Power cord w/shaft cap & ss elbw connector	-	-	Std
	Terminal box	Std	-	Opt

Options

- Rubber lagging for standard belts
- Profiled lagging for positive drive belts
- Profiled ss shells for positive drive belts
- Mechanical backstop
- Special smooth stainless steel end housings, slotted screw oil plugs, Viton® shaft seals and PTFE deflection seals

(option TS8N) for IP69 sealing.

- Electromagnetic brake
- Rectifier
- Encoder
- Food grade oil (EU, FDA and USDA)
- Non-horizontal mounting (more than ± 5°)

Power Cord Specifications

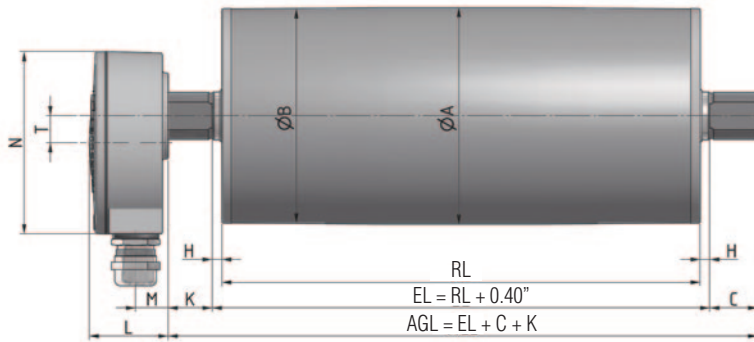
- Standard, shielded, 10 feet long

- Other types & lengths available upon request

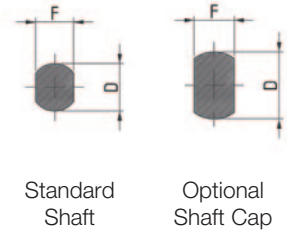


Motorized Pulley 113LS

Ø 4.53 in. (113 mm), helical steel gearbox

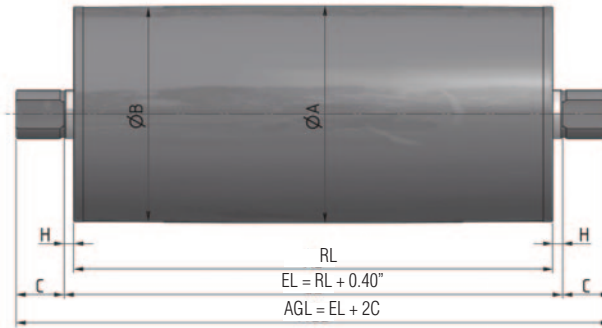


Standard Motorized Pulley with aluminum terminal box

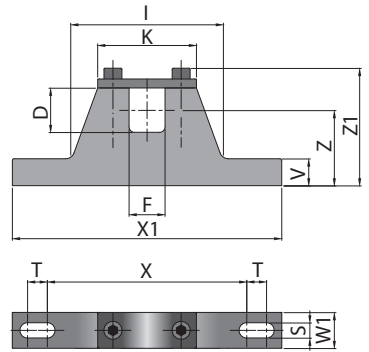


Standard Shaft

Optional Shaft Cap

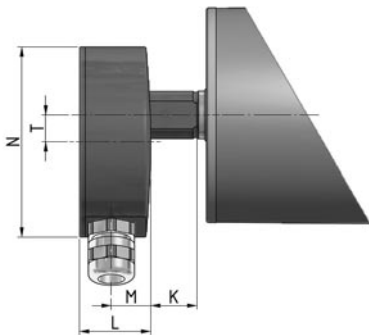


Idler Pulley.

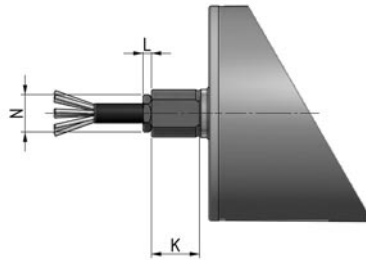


MC = Mounting bracket center-to-center spacing = $RL + 1.19$ "

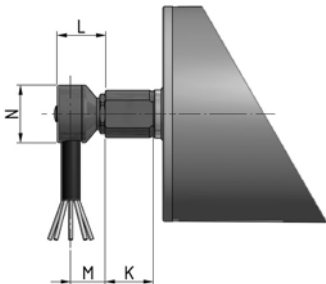
Mounting bracket



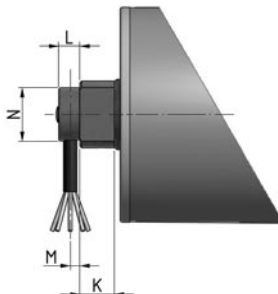
Terminal box in stainless steel.



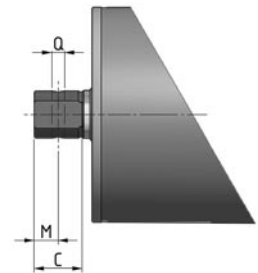
Straight connector in stainless steel.



Elbow connector in stainless steel.



Elbow connector with shaft cap in stainless steel.



Shaft, cross-drilled and threaded.

Motorized Pulley 113LS

Ø 4.53 in. (113 mm), helical steel gearbox



Dimensions for Motorized Pulley 113LS														
Type/Option	A in	B in	C in	D in	E in	F in	G in	H in	K in	L in	M in	N in	Q in	T in
Standard shaft with aluminum terminal box	4.45	4.39	0.98	0.98		0.79		0.20	0.91	1.61	0.67	3.74		0.55
Terminal box in stainless steel									0.91	1.46	0.81	3.9		0.55
Standard shaft with ss straight connector									0.98	0.18		0.77		
Standard shaft with ss elbow connector									0.98	0.98	0.71	1.18		
Cross-drilled and threaded shaft								0.12	0.71	0.13	0.16	1.1		

Revised Dimensions for options

The following options increase the minimum roller length (RL)

Option	Optional RL min.
Electromagnetic brake	Standard RL min + 1.97in
Encoder - SKF	Standard RL min + 0 in
Encoder - RLS	Standard RL min +1.97in

Dimensions, materials, and weights for Mounting Brackets

Motorized Pulley	Standard Material	Optional Material	D in	F in	I in	K in	S in	T in	V in	W1 in	X in	X1 in	Z in	Z1 in	Thread	Wt lbs
113LS	Aluminum	Stainless steel	0.98	0.79	3.35	2.17	0.33	0.43	0.59	0.79	4.33	5.91	1.65	2.60	M6	1.1/2.0

Standard weights for Motorized Pulley 113LS

Power HP	Poles	standard weight [lbs] for standard RL [in]												
		9.84	11.81	13.78	15.75	17.72	19.69	21.65	23.62	25.59	27.56	31.50	35.43	39.37
0.05	12	16.0	17.5	19.5	21.0	23.0	24.5	26.0	28.0	29.5	31.0	41.5	45.0	48.0
0.09	12	---	22.0	24.0	26.0	27.5	29.0	31.0	32.5	34.0	36.0	46.0	49.5	53.0
0.11	8	16.0	17.5	19.5	21.0	23.0	24.5	26.0	28.0	29.5	31.0	41.5	45.0	48.0
0.13	6	16.0	17.5	19.5	21.0	23.0	24.5	26.0	28.0	29.5	31.0	41.5	45.0	48.0
0.20	8	---	22.0	24.0	26.0	27.5	29.0	31.0	32.5	34.0	36.0	46.0	49.5	53.0
	4	16.0	17.5	19.5	21.0	23.0	24.5	26.0	28.0	29.5	31.0	41.5	45.0	48.0
0.27	6	16.0	17.5	19.5	21.0	23.0	24.5	26.0	28.0	29.5	31.0	41.5	45.0	48.0
0.32	2	16.0	17.5	19.5	21.0	23.0	24.5	26.0	28.0	29.5	31.0	41.5	45.0	48.0
0.40	4	---	22.0	24.0	26.0	27.5	29.0	31.06	32.5	34.0	36.0	46.0	49.5	53.0
0.50	4	---	22.0	24.0	26.0	27.5	29.0	31.0	32.5	34.0	36.0	46.0	49.5	53.0
	2	---	22.0	24.0	26.0	27.5	29.0	31.0	32.5	34.0	36.0	46.0	49.5	53.0
0.75	4	---	22.0	24.0	26.0	27.5	29.0	31.0	32.5	34.0	36.0	46.0	49.5	53.0
	2	---	22.0	24.0	26.0	27.5	29.0	31.0	32.5	34.0	36.0	46.0	49.5	53.0



Motorized Pulley 113LS

Ø 4.53 in. (113 mm), helical steel gearbox

Power & Speed Combinations: 3 phase																
Power HP	Poles (rpm)	FLA (amps) ¹	No. Gear Stages	Gear Ratio	Nominal belt speed at Full Load 60 Hz fpm ²	Actual belt speed at Full Load 60 Hz fpm ²	Belt Pull lbs	Max. Radial Load T1 + T2 lbs ³	RL in							
0.05	12 (540)	0.88/0.47	3	42.66	12	15	100	1470	min 9.84 max 55.12							
				36.35	14	17	85									
				31.36	18	20	73									
0.09	12 (520)	1.11/0.63	3	42.66	12	14	207	1470	min 11.81 max 55.12							
				36.35	14	17	177									
				31.36	18	19	152									
0.11	8 (825)	0.97/0.56	3	42.66	24	23	149	1470	min 9.84 max 55.12							
0.13	6 (1100)	0.87/0.44	3	42.66	26	30	140	1470								
				36.35	30	35	119									
				31.36	38	41	103									
				27.32	48	47	90									
				23.99	52	53	79									
				21.18	60	60	70									
2	15.17	76	84	50	1020	42	79									
								12.92		96	99	42				
								11.15		120	115	37				
0.20	8 (810)	1.47/0.78	3	42.66	24	22	285	1470	min 11.81 max 55.12							
				36.35	26	26	243									
				31.36	30	30	210									
	4 (1700)	1.02/0.55	3	42.66	48	46	136	1470	min 9.84 max 55.12							
				36.35	52	54	116									
				31.36	60	63	100									
				2	15.17	72	72	87		1020	76	67				
													27.32	72	72	87
													23.99	76	83	76
													21.18	90	93	67
													15.17	120	131	48
													12.92	150	153	41
11.15	165	178	36	770												
0.25	6 (1120)	1.40/0.70	3	42.66	30	31	275	1470	min 11.81 max 55.12							
				31.36	38	42	202									
				27.32	48	48	176									
				2	15.17	76	86	98		1020	83	72				
													23.99	52	54	155
													21.18	60	62	137
			12.92	96	101	83										
			11.15	120	117	72										

Refer to page 49 for all footnotes cited on page 48.

Motorized Pulley 113LS

Ø 4.53 in. (113 mm), helical steel gearbox



Power & Speed Combinations: 3 phase									
Power HP	Poles (rpm)	FLA (amps) ¹	No. Gear Stages	Gear Ratio	Nominal belt speed at Full Load 60 Hz fpm ²	Actual belt speed at Full Load 60 Hz fpm ²	Belt Pull lbs	Max. Radial Load T1 + T2 lbs ³	RL in
0.33	2 (3430)	1.12/0.57	3	42.66	90	94	108	1020	min 9.84 max 55.12
				36.35	96	110	92		
				31.36	120	127	79		
				27.32	150	146	69		
			2	23.99	165	167	61	770	
				21.18	192	189	53		
				15.17	240	263	38		
				12.92	300	309	33		
11.15	384	358	28						
0.40	4 (1700)	1.66/0.87	3	42.66	48	46	272	1470	min 11.81 max 55.12
				36.35	52	54	232		
				31.36	60	63	200		
				27.32	72	72	174		
			2	23.99	76	83	153	1020	
				21.18	90	93	135		
				15.17	120	131	97		
				12.92	150	153	82		
11.15	192	178	71	770					
0.50	4 (1680)	2.03/1.01	3	42.66	48	46	339	1470	min 11.81 max 55.12
				36.35	52	54	289		
				31.36	60	62	249		
			2	27.32	72	72	217	1020	
				23.99	76	82	191		
				21.18	90	92	168		
	2 (3470)	1.51/0.76	3	15.17	120	129	121	770	
				12.92	150	151	103		
				11.15	165	175	89		
			2	21.18	192	191	82	770	
				15.17	240	266	58		
				12.92	300	313	50		
11.15	384	362	43						
0.75	2 (3440)	2.20/1.09	3	42.66	90	94	246	1020	min 11.81 max 55.12
				36.35	96	110	210		
				31.36	120	128	181		
				27.32	150	147	158		
				23.99	165	167	138		
			2	21.18	192	189	122	770	
				15.17	240	264	88		
				12.92	300	310	75		
				11.15	384	359	64		

- 1 FLA = full load amps at 230volts and 460 volts, respectively.
- 2 Use "Nominal Speed" to specify pulley. "Actual belt speed" is presented (for unlagged pulley) to assist with process design calculations. See "Actual Speed vs Nominal Speed" section in Technical Precautions. Note that actual belt speed increases when lagging is used due to increased pulley diameter.
- 3 Pulley must not be subjected to radial load exceeding "Maximum Radial Load" defined above. See "Belt Tension" section in Technical Precautions.



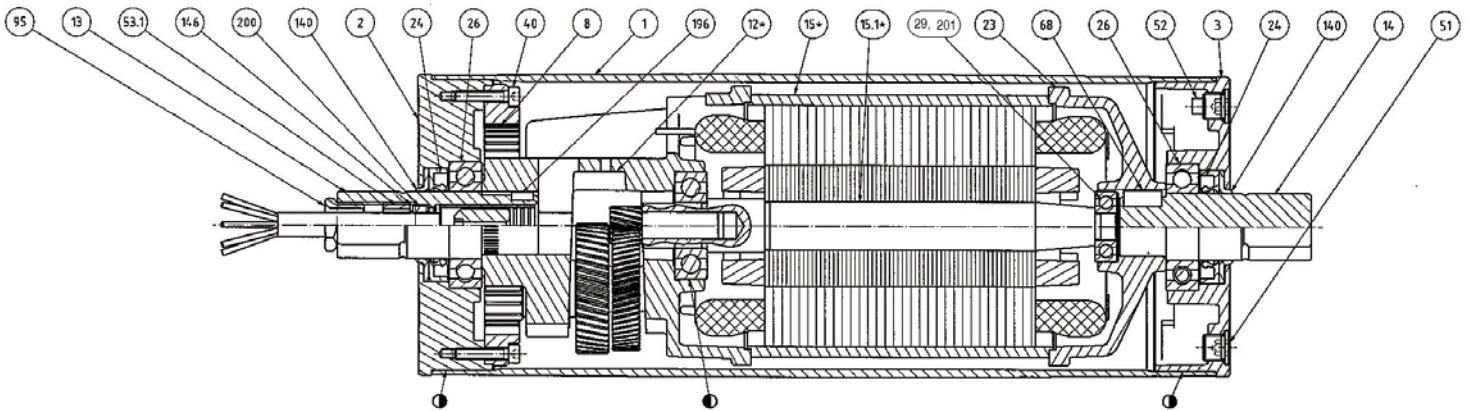
Motorized Pulley 113LS

Ø 4.53 in. (113 mm), helical steel gearbox

Spare Parts List and Sectional Drawings

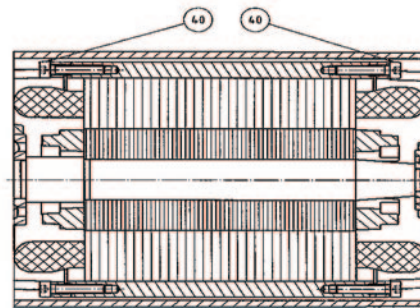
1	Pulley shell	15.1*	Rotor assembly	53.1	Pressure nipple
2	Bearing housing	23	Rear flange	68	Key
3	Bearing housing	24	Double lip seal	95	Straight connector
8	Geared rim	26	Ball bearing	140	Deflection seal
12*	Gearbox (3 stage shown)	29	Ball bearing	146	Washer
13	Front shaft	40	Hexagon socket screw	196	Key
14	Rear shaft	51	Oil plug	200	Rubber seal
15*	Stator	52	Oil plug with magnet	201	Encoder (if applicable)

113LS Standard: 3 stage gearbox with power cord



* Variable parts for other speeds and powers

Motor stator cross section



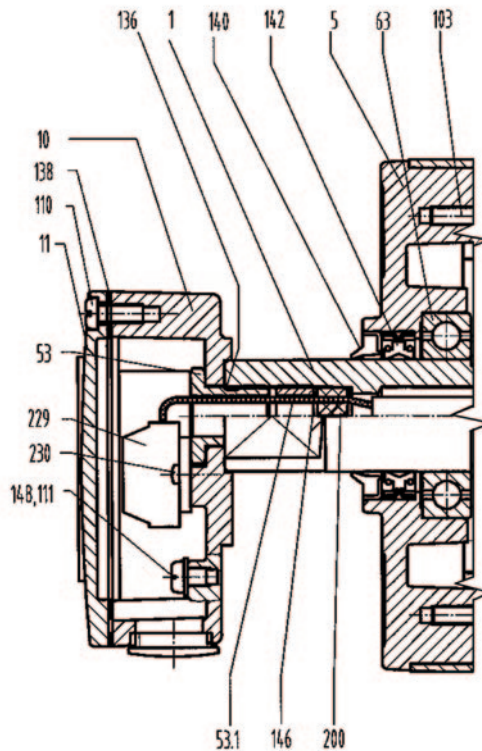
Motorized Pulley 113LS

Ø 4.53 in. (113 mm), helical steel gearbox

Spare Parts List and Sectional Drawings

1	Front shaft	103	Screw	148	Washer
5	Bearing housing complete with geared rim	110	Screw	200	Rubber seal
10	Terminal box - bottom part	111	Screw	229	WAGO clamp terminals
11	Terminal box cover	136	O-ring/Rubber seal	230	Fixing bolts
53	Cable side nipple (cable option)	138	Rubber seal		
53.1	Nipple (terminal box)	140	Deflection seal		
63	Ball bearing	142	Double lip seal		
		146	Washer		

113LS Standard: with terminal box





Motorized Pulley 138LS

Ø 5.45 in. (138 mm), helical steel gearbox

Product description

This Motorized Pulley is ideal for most package handling and food processing applications.

Characteristics

- Asynchronous 3 phase AC induction motor
- Integral motor protection
- Hardened steel helical gearbox
- Low noise operation
- Reversible operation
- Motorized Pulleys with RL greater than 31.50 inches have reinforced shaft.

Applications

- Package handling conveyors with frequent use
- Airport luggage check-in conveyors
- Dynamic weighing equipment
- Metal detectors
- Pharmaceutical equipment
- Food processing equipment
- Positive drive and modular belt conveyors
- Dry, humid and wash down applications

Technical data

Type of Motor	Asynchronous squirrel-cage, IEC 34 (VDE 0530)
Insulation class of motor windings	Class F, IEC 34 (VDE 0530)
Available power supplies*	115v/1ph/60Hz, 230v/1ph/60Hz, 230v/3ph/60Hz, 460v/3ph/60Hz
Seal protection rating (standard)	IP66
Seal protection rating (optional)	IP69
Thermal protection	Bimetallic contact
Allowable ambient temp, 3-ph motor	-13° F to +104° F
Max. Roller length (RL)	70.87 in

* Other power supply voltages and frequencies are available.



Motorized Pulley 138LS

Ø 5.45 in. (138 mm), helical steel gearbox



Materials

Component	Version	Aluminum	Steel	Stainless steel
Shell	Crowned	-	Std	Opt
	Cylindrical	-	Std	Opt
	Cylindrical with key (for sprockets)	-	Opt	Opt
	Special profiles	-	Opt	Opt
End housing	Standard	Std	-	Opt
Shaft	Standard	-	Std	Opt
	Cross-drilled and threaded, M6	-	Opt	Opt
Electrical termination	Power cord, straight ss connector	-	-	Std
	Power cord, elbow ss connector	-	-	Std
	Terminal box	Std	-	Opt

Options

- Rubber lagging for standard belts
- Profiled lagging for positive drive belts
- Profiled ss shells for positive drive belts
- Mechanical backstop
- Special smooth stainless steel end housings, slotted screw oil plugs, Viton® shaft seals and PTFE deflection seals (option TS8N) for IP69 sealing.
- Special smooth stainless steel end housings, slotted screw oil plugs, labyrinth seals (option TS7N) for IP66 sealing.
- Electromagnetic brake
- Rectifier
- Encoder
- Food grade oil (EU, FDA and USDA)
- Non-horizontal mounting (more than $\pm 5^\circ$)

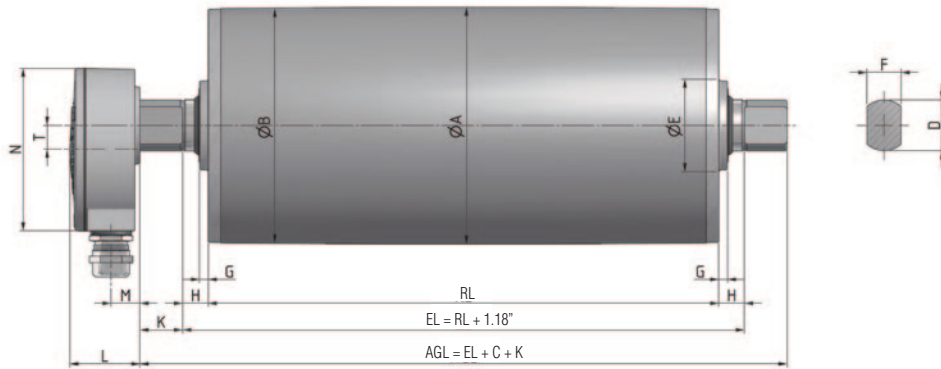
Power Cord Specifications

- Standard, shielded, 10 feet long
- Other types & lengths available upon request

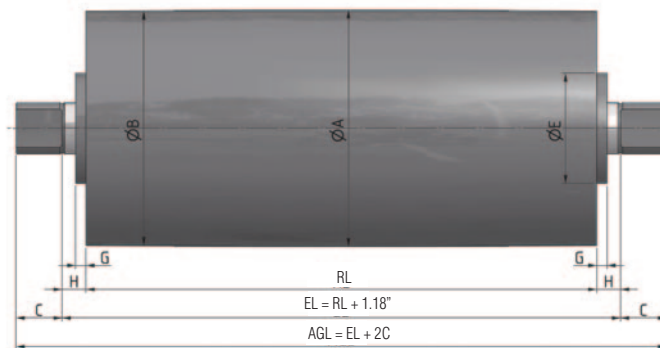


Motorized Pulley 138LS

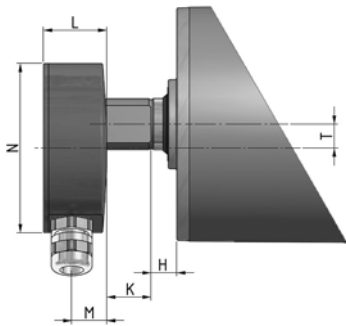
Ø 5.45 in. (138 mm), helical steel gearbox



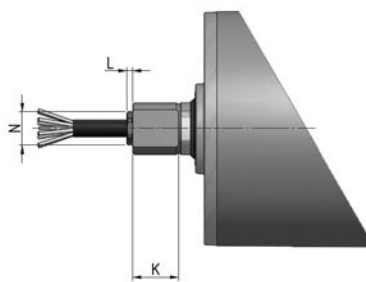
Standard Motorized Pulley with aluminum terminal box



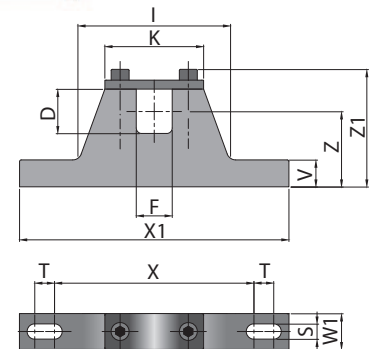
Idler Pulley in stainless steel



Terminal box in stainless steel.

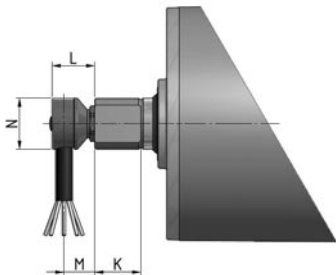


Straight connector in stainless steel.

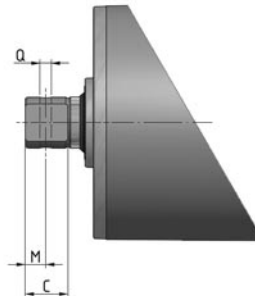


MC = Mounting bracket center-to-center spacing = $RL + 2.12''$

Mounting bracket



Elbow connector in stainless steel.



Shaft, cross-drilled and threaded.

Motorized Pulley 138LS

Ø 5.45 in. (138 mm), helical steel gearbox



Dimensions for Motorized Pulley 138LS

Type/Option	A in	B in	C in	D in	E in	F in	G in	H in	K in	L in	M in	N in	Q in	T in
Standard version with aluminum terminal box	5.45	5.39	0.98	1.18	2.13	0.79	0.20	0.59	0.98	1.61	0.67	3.74		0.55
Terminal box in stainless steel									0.98	1.46	0.81	3.90		0.55
Idler pulley in stainless steel					2.54		0.24		1.06					
Straight connector in stainless steel									1.06	0.14		0.77		
Elbow connector in stainless steel									1.06	0.94	0.71	1.18		
Cross-drilled and threaded shaft									1.06		0.47		M8	

Revised Dimensions for options

The following options increase the minimum roller length (RL)

Option	Optional RL min.
Electromagnetic brake	Standard RL min + 1.97in
Encoder - SKF	Standard RL min + 0 in
Encoder - RLS	Standard RL min +1.97in

Dimensions, materials, and weights for Mounting Brackets

Motorized Pulley	Standard Material	Optional Material	D in	F in	I in	K in	S in	T in	V in	W1 in	X in	X1 in	Z in	Z1 in	Thread	Wt lbs
138LS	Cast iron black powder coat	Stainless steel	1.18	0.79	3.39	2.24	0.43	0.67	0.47	0.94	4.33	7.09	1.75	2.83	M8	3.1

Standard weights for Motorized Pulley 138LS

Power HP	Poles	Standard weight [lbs] for standard RL [in]													
		11.81	12.60	13.78	15.75	17.72	19.69	21.65	23.62	25.59	27.56	29.53	31.50	35.43	39.37
0.13	12	31.0	32.0	33.0	35.0	37.5	39.5	42.0	44.0	47.5	50.5	53.0	55.0	59.5	64.0
0.25	8	31.0	32.0	33.0	35.0	37.5	39.5	42.0	44.0	47.5	50.5	53.0	55.0	59.5	64.0
0.32	6	31.0	32.0	33.0	35.0	37.5	39.5	42.0	44.0	47.5	50.5	53.0	55.0	59.5	64.0
0.50	6	---	33.0	34.5	36.5	38.5	41.0	43.0	45.0	48.5	52.0	54.0	56.0	60.5	65.0
	4	31.0	32.0	33.0	35.0	37.5	39.5	42.0	44.0	47.5	50.5	53.0	55.0	59.5	64.0
0.75	2	31.0	32.0	33.0	35.0	37.5	39.5	42.0	44.0	47.5	50.5	53.0	55.0	59.5	64.0
1.00	4	---	33.0	34.5	36.5	38.5	41.0	43.0	45.0	48.5	52.0	54.0	56.0	60.5	65.0
	2	31.0	32.0	33.0	35.0	37.5	39.5	42.0	44.0	47.5	50.5	53.0	55.0	59.5	64.0
1.34	2	---	---	36.5	38.5	41.0	43.0	45.0	47.4	50.5	54.0	56.0	58.5	63.0	67.0



Motorized Pulley 138LS

Ø 5.45 in. (138 mm), helical steel gearbox

Power & Speed Combinations: 3 phase									
Power HP	Poles (rpm)	FLA (amps) ¹	No. Gear Stages	Gear Ratio	Nominal belt speed at Full Load 60 Hz fpm ²	Actual belt speed at Full Load 60 Hz fpm ²	Belt Pull lbs	Max. Radial Load T1 + T2 lbs ³	RL in
0.13	12 (550)	1.5/ 0.7	3	78.40	10	10	424	1870	min 11.81 max 72.83
				66.00	12	12	357		
				52.96	14	15	287		
			2	29.56	24	26	160		
0.25	8 (835)	2.1/ 1.1	3	66.00	18	18	424	1870	min 11.81 max 72.83
				52.96	24	22	340		
				43.65	30	27	280		
			2	29.56	38	40	190		
0.33	6 (1140)	1.5/ 0.7	3	66.00	24	24	414	1870	min 11.81 max 72.83
				52.96	30	30	332		
				43.65	38	37	274		
			2	29.56	48	54	185		
0.50	4 (1710)	2.2/ 1.1	3	25.20	60	64	158	1090	min 11.81 max 72.83
				20.22	76	80	127		
				2	51.85	30	31		
			3	66.00	38	37	425		
52.96	48	46		341					
43.65	60	55		281					
29.56	76	82		190					
25.20	96	96		162					
20.22	120	119		130					
16.67	150	145		107					
2	12.44	192	194	80	820				
0.75	2 (3380)	2.4/ 1.2	3	77.41	60	62	375	1090	min 11.81 max 72.83
				66.00	76	72	320		
				52.96	96	90	257		
				43.65	120	109	211		
			2	29.56	150	161	143	820	
				25.20	192	189	122		
				20.22	240	236	98		
				16.67	300	286	81		
12.44	384	384	60						
1.00	4 (1690)	3.6/ 1.8	3	52.96	48	45	700	1090	min 12.60 max 72.83
				43.65	60	55	577		
				32.59	76	73	431		
				25.20	96	95	333		
	2	3.0/ 1.5	2	20.22	120	118	267	820	min 13.78 max 72.83
				16.67	150	143	220		
				25.20	192	193	163		
				20.22	240	241	131		
				16.67	300	292	108		
				12.44	384	392	81		

Refer to page 57 for all footnotes cited on page 56.

Motorized Pulley 138LS

Ø 5.45 in. (138 mm), helical steel gearbox



Power & Speed Combinations: 3 phase									
Power HP	Poles (rpm)	FLA (amps) ¹	No. Gear Stages	Gear Ratio	Nominal belt speed at Full Load 60 Hz fpm ²	Actual belt speed at Full Load 60 Hz fpm ²	Belt Pull lbs	Max. Radial Load T1 + T2 lbs ³	RL in
1.33	2 (3440)	4.0/ 2.0	3	52.96	96	92	458	1090	min 13.78 max 72.83
				43.65	120	111	378		
				29.56	150	164	256		
			2	25.20	192	193	218	820	
				20.22	240	240	175		
				16.67	300	291	144		
				12.44	384	390	108		
				10.00	480	486	87		

- 1 FLA = full load amps at 230volts and 460 volts, respectively.
- 2 Use "Nominal Speed" to specify pulley. "Actual belt speed" is presented (for unlagged pulley) to assist with process design calculations. See "Actual Speed vs Nominal Speed" section in Technical Precautions. Note that actual belt speed increases when lagging is used due to increased pulley diameter.
- 3 Pulley must not be subjected to radial load exceeding "Maximum Radial Load" defined above. See "Belt Tension" section in Technical Precautions.



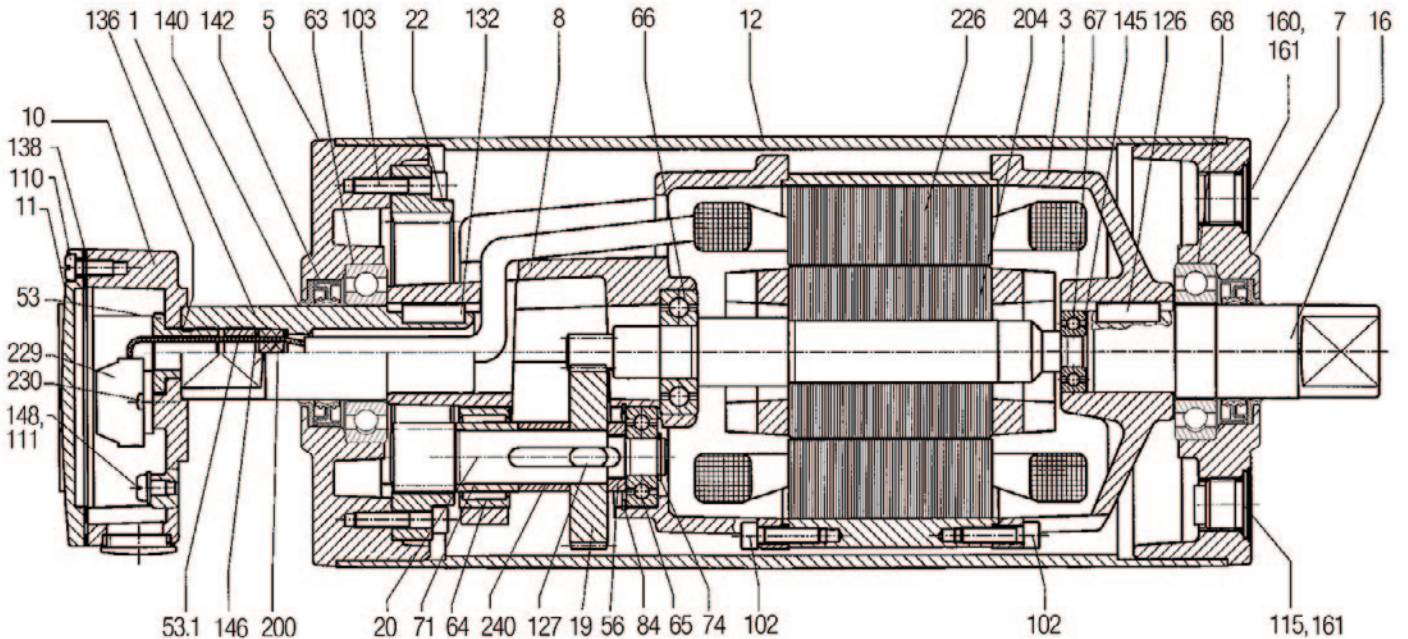
Motorized Pulley 138LS

Ø 5.45 in. (138 mm), helical steel gearbox

Spare Parts List and Sectional Drawings

1	Front shaft	53	Terminal box nipple	111	Screw
3	Rear flange	53.1	Cable seal nipple	113	Screw
5	Bearing housing complete with geared rim	55	Spacer bushing	114	Socket set screw
7	Bearing housing complete	56	Spacer bushing	115	Oil plug with magnet
8	Gearbox	63	Ball bearing	126	Key
10	Terminal box - bottom part	64	Needle bearing	127	Key
11	Terminal box cover	65-70	Ball bearing	132	Key
12	Shell	71	Inner race	136	O-ring/Rubber seal
16	Rear shaft	73	Locking ring	138	Rubber seal
19	Input wheel	74	Locking ring	140	Deflection seal
20	Output pinion	84	Locking ring	142	Double lip seal
22	Geared rim	86	Locking ring	143	O-ring
23	Intermediate pinion shaft	93	Elbow or straight connector	145	Distance washer
24	Intermediate wheel	102	Screw	146	Washer
31	Labyrinth seal cover	103	Screw	148	Washer
		110	Screw	150	Electromagnetic brake

138LS Standard: 2 stage gearbox with terminal box



Motorized Pulley 138LS

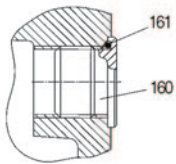
Ø 5.45 in. (138 mm), helical steel gearbox



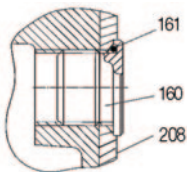
Spare Parts List and Sectional Drawings (cont.)

150.1	Friction disc	200	Rubber seal	223	Cable
156	Rectifier (not shown)	201	Encoder (if applicable)	226	Stator complete
160	Oil plug	204	Rotor complete with pinion	229	WAGO clamp terminals
161	O-ring	208	Stainless steel cover	230	Fixing bolts
167	Screw	210	Fixing guard	240	Distance ring

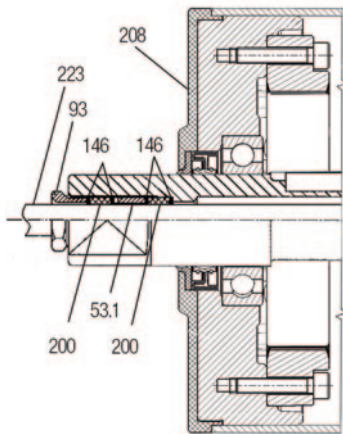
Standard oil plug



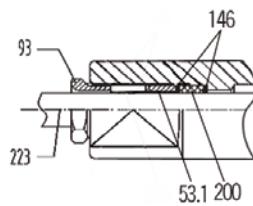
Stainless steel option oil plug



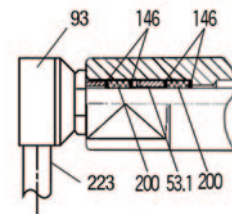
Stainless steel option with straight cable



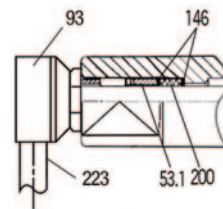
Standard straight cable connection



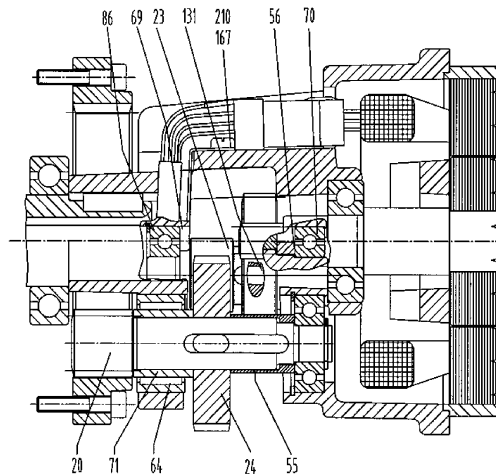
Elbow cable connection for stainless steel option



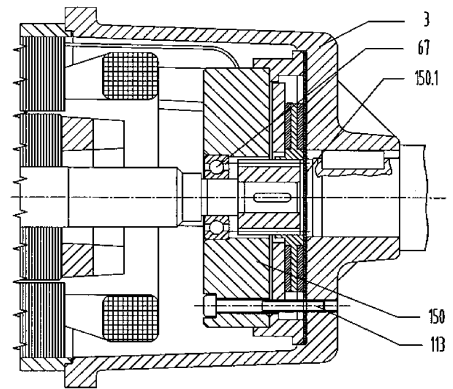
Standard elbow cable connection



3-stage gearbox



Electromagnetic brake





Motorized Pulley 165LS

Ø 6.50 in. (165 mm), helical steel gearbox

Product description

This Motorized Pulley is ideal for longer or inclined heavy duty unit handling and food processing conveyors.

Characteristics

- Asynchronous 3 phase AC induction motor
- Integral motor protection
- Hardened steel helical gearbox
- Low noise operation
- Reversible operation

Applications

- Package handling conveyors with frequent use
- Logistics applications
- Dynamic weighing equipment
- Telescopic conveyors
- Agricultural conveyors
- Food processing equipment
- Positive drive and modular belt conveyors
- Dry, humid and wash down applications

Technical data

Type of Motor	Asynchronous squirrel-cage, IEC 34 (VDE 0530)
Insulation class of motor windings	Class F, IEC 34 (VDE 0530)
Available power supplies*	115v/1ph/60Hz, 230v/1ph/60Hz, 230v/3ph/60Hz, 460v/3ph/60Hz
Seal protection rating (standard)	IP66
Seal protection rating (optional)	IP69
Thermal protection	Bimetallic contact
Allowable ambient temp, 3-ph motor	-13° F to +104° F
Max. Roller length (RL)	70.87 in

* Other power supply voltages and frequencies are available.



Motorized Pulley 165LS

Ø 6.50 in. (165 mm), helical steel gearbox



Materials

Component	Version	Aluminum	Steel	Stainless steel
Shell	Crowned	-	Std	Opt
	Cylindrical	-	Std	Opt
	Cylindrical with key (for sprockets)	-	Opt	Opt
	Special profiles	-	Opt	Opt
End housing	Standard	Std	-	Opt
Shaft	Standard	-	Std	Opt
	Cross-drilled and threaded, M6	-	Opt	Opt
Electrical termination	Power cord, straight ss connector	-	-	Std
	Power cord, elbow ss connector	-	-	Std
	Terminal box	Std	-	Opt

Options

- Rubber lagging for standard belts
- Profiled lagging for positive drive belts
- Profiled ss shells for positive drive belts
- Mechanical backstop
- Special smooth stainless steel end housings, slotted screw oil plugs, Viton® shaft seals and PTFE deflection seals (option TS8N) for IP69 sealing.
- Special smooth stainless steel end housings, slotted screw oil plugs, labyrinth seals (option TS7N) for IP66 sealing.
- Electromagnetic brake
- Rectifier
- Encoder
- Food grade oil (EU, FDA and USDA)
- Non-horizontal mounting (more than $\pm 5^\circ$)

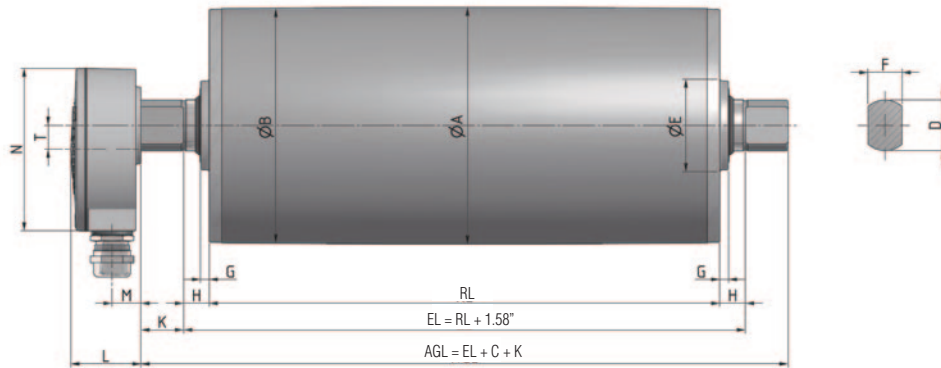
Power Cord Specifications

- Standard, shielded, 10 feet long
- Other types & lengths available upon request

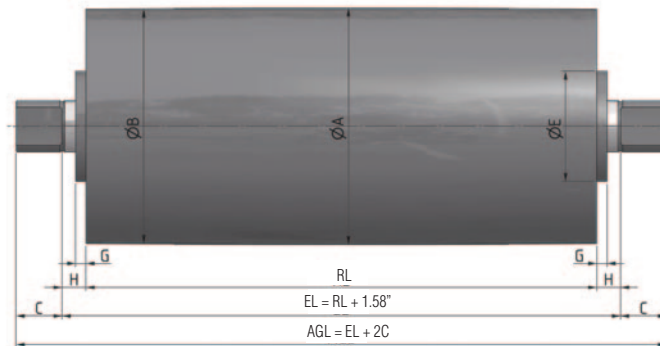


Motorized Pulley 165LS

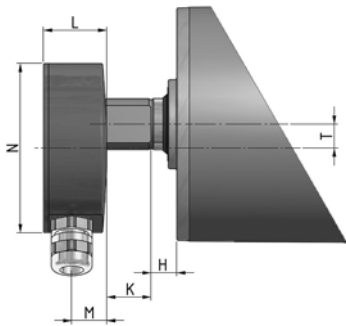
Ø 6.50 in. (165 mm), helical steel gearbox



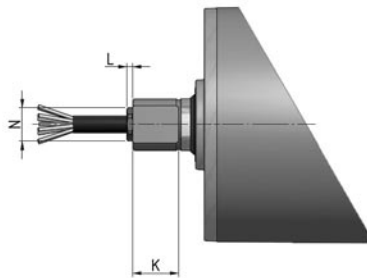
Standard Motorized Pulley with aluminum terminal box



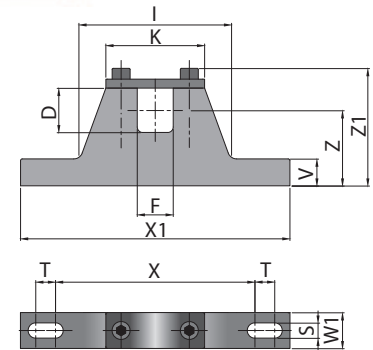
Idler Pulley in stainless steel



Terminal box in stainless steel.

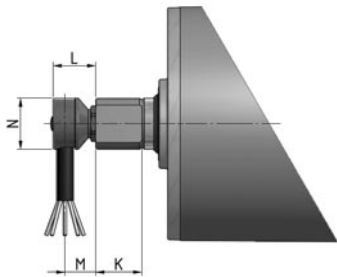


Straight connector in stainless steel.

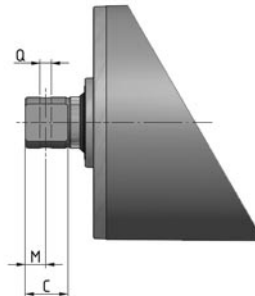


MC = Mounting bracket center-to-center spacing = $RL + 3.15$ "

Mounting bracket



Elbow connector in stainless steel.



Shaft, cross-drilled and threaded.

Motorized Pulley 165LS

Ø 6.50 in. (165 mm), helical steel gearbox



Dimensions for Motorized Pulley 165LS												
Type/Option	A in	B in	C in	D in	E in	F in	G in	H in	K in	L in	M in	N in
Standard version with aluminum terminal box	6.50	6.44	1.77	1.57	3.15	1.18	0.39	0.79	1.77	1.61	0.67	3.74
Terminal box in stainless steel									1.77	1.46	0.81	3.90
Idler pulley in stainless steel					2.54		0.31		1.77			
Straight connector in stainless steel									1.85	0.16		1.06
Elbow connector in stainless steel									1.85	0.98	0.71	1.18
Cross-drilled and threaded shaft									1.85		0.93	

Revised Dimensions for options

The following options increase the minimum roller length (RL)

Option	Optional RL min.
Electromagnetic brake	Standard RL min + 1.97in
Encoder - SKF	Standard RL min + 0 in
Encoder - RLS	Standard RL min +1.97in

Dimensions, materials, and weights for Mounting Brackets																
Motorized Pulley	Standard Material	Optional Material	D in	F in	I in	K in	S in	T in	V in	W1 in	X in	X1 in	Z in	Z1 in	Thread	Wt lbs
165LS	Cast iron with black powder	Stainless steel	1.57	1.18	3.31	2.44	0.55	0.79	0.87	1.57	4.33	7.48	1.97	3.27	M8	4.4

Standard weights for Motorized Pulley 165LS															
Power HP	Poles	Standard weight [lbs] for standard RL [in]													
		13.78	15.75	17.72	19.69	21.65	23.62	25.59	27.56	29.53	31.50	33.46	35.43	37.40	39.37
0.50	6	---	66.0	69.5	73.0	75.0	77.0	79.5	82.5	86.0	88.0	90.5	93.5	97.0	99.0
	4	57.5	61.5	65.0	68.5	84.0	73.0	75.0	78.5	81.5	84.0	86.0	89.5	92.5	95.0
1.00	6	---	73.0	76.0	79.5	81.5	38.0	86.0	89.5	92.5	95.0	97.0	100.5	103.5	106.0
	4	---	68.5	71.5	75.0	77.0	79.5	81.5	85.0	88.0	90.5	92.5	96.0	99.0	101.5
1.50	4	---	75.0.	78.5	81.5	84.0	86.0	88.0	91.5	95.0	97.0	99.0	102.5	106.0	108.0
	2	---	73.0	76.0	79.5	81.5	84.0	86.0	89.5	92.5	95.0	97.0	100.5	103.5	106.0
2.00	2	---	75.0	78.5	81.5	84.0	86.0	88.0	91.5	95.0	97.0	99.0	102.5	106.0	108.0
3.00	2	---	81.5	82.5	84.0	86.0	88.0	90.5	93.5	97.0	99.0	101.5	104.5	108.0	110.0



Motorized Pulley 165LS

Ø 6.50 in. (165 mm), helical steel gearbox

Power & Speed Combinations: 3 phase									
Power HP	Poles (rpm)	FLA (amps) ¹	No. Gear Stages	Gear Ratio	Nominal belt speed at Full Load 60 Hz fpm ²	Actual belt speed at Full Load 60 Hz fpm ²	Belt Pull lbs	Max. Radial Load T1 + T2 lbs ³	RL in
0.15	12 (570)	1.9/ 0.9	3	75.03	12	13	358	2500	min 15.75 max 78.74
				61.56	14	16	294		
				49.75	18	19	238		
			2	37.93	24	26	181		
0.50	6 (1135)	1.7/ 1.0	3	75.03	24	26	606	4300	min 15.75 max 78.74
				61.56	30	31	497		
				49.75	38	39	402		
	4 (1690)	2.0/ 1.0	3	61.56	48	47	334	2500	min 13.78 max 78.74
				49.75	60	58	270		
				37.93	76	76	206		
				30.05	96	95	163		
			2	23.76	120	121	129		
				19.20	150	149	104		
				14.64	192	196	79		
			11.60	240	247	63	1700		
1.00	6 (1155)	4.8/ 2.4	3	61.56	30	32	990	4300	min 15.75 max 78.74
				46.23	38	42	743		
	4 (1720)	3.6/ 1.8	3	61.56	48	47	665	2500	min 15.75 max 78.74
				49.75	60	59	537		
				37.93	76	77	409		
				30.05	96	97	324		
			2	23.76	120	123	257		
				19.20	150	152	207		
				14.64	192	200	158		
				11.60	240	252	125		
1.50	4 (1725)	5.0/ 2.5	3	61.56	48	48	972	2500	min 15.75 max 78.74
				46.23	60	63	730		
				37.93	76	77	599		
	2 (3450)	4.2/ 2.1	3	61.56	96	95	486	1700	
				49.75	120	118	393		
				37.93	150	154	299		
				30.05	192	195	237		
			2	23.76	240	247	188		
				19.20	300	305	152		
				14.64	392	400	116		
			11.60	480	505	92			
			9.43	600	621	74			

Refer to page 65 for all footnotes cited on page 64.

Motorized Pulley 165LS

Ø 6.50 in. (165 mm), helical steel gearbox



Power & Speed Combinations: 3 phase									
Power HP	Poles (rpm)	FLA (amps) ¹	No. Gear Stages	Gear Ratio	Nominal belt speed at Full Load 60 Hz fpm ²	Actual belt speed at Full Load 60 Hz fpm ²	Belt Pull lbs	Max. Radial Load T1 + T2 lbs ³	RL in
2.00	2 (3475)	5.7/ 2.8	3	75.03	76	75	815	2500	min 15.75 max 78.74
				61.56	96	96	658		
				46.23	120	128	494		
				37.93	150	156	405		
				30.05	192	196	321		
			2	23.76	240	248	254	1700	
				19.20	300	307	205		
				14.64	384	403	156		
				11.60	480	509	124		
				9.43	600	626	101		
7.80	768	757	83	1600					
3.00	2 (3460)	8.0/ 4.0	3	46.23	120	127	728	2500	min 16.93 max 78.74
				37.93	150	155	597		
				30.05	192	196	473		
				24.43	240	240	385		
				20.21	300	291	318		
			2	14.64	392	401	230	1700	
				11.60	480	506	183		
				9.43	600	623	148		
				7.80	768	753	123		
				7.80	768	753	123		

- 1 FLA = full load amps at 230volts and 460 volts, respectively.
- 2 Use "Nominal Speed" to specify pulley. "Actual belt speed" is presented (for unlagged pulley) to assist with process design calculations. See "Actual Speed vs Nominal Speed" section in Technical Precautions. Note that actual belt speed increases when lagging is used due to increased pulley diameter.
- 3 Pulley must not be subjected to radial load exceeding "Maximum Radial Load" defined above. See "Belt Tension" section in Technical Precautions.



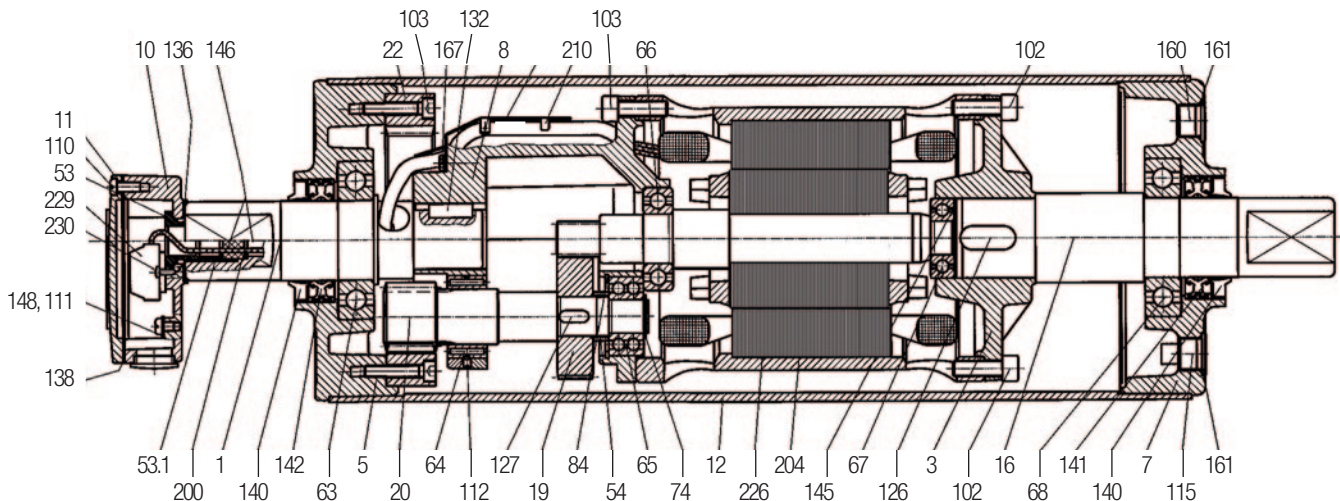
Motorized Pulley 165LS

Ø 6.50 in. (165 mm), helical steel gearbox

Spare Parts List and Sectional Drawings

1	Front shaft	53	Terminal box nipple	103	Screw
3	Rear flange	53.1	Cable seal nipple	110	Screw
5	Bearing housing complete with geared rim	55	Spacer bushing	111	Screw
7	Bearing housing complete	56	Spacer bushing	112	Socket set screw
8	Gearbox	63	Ball bearing	113	Screw
10	Terminal box - bottom part	64	Needle bearing	115	Oil plug with magnet
11	Terminal box cover	65-70	Ball bearing	126	Key
12	Shell	71	Inner race	127	Key
16	Rear shaft	73	Locking ring	131	Key
19	Input wheel	74	Locking ring	132	Key
20	Output pinion	81	Locking ring	136	O-ring/Rubber seal
22	Geared rim	84	Locking ring	138	Rubber seal
23	Intermediate pinion shaft	85	Locking ring	140	Deflection seal
24	Intermediate wheel	86	Locking ring	141	Double lip seal
31	Labyrinth seal cover	93	Elbow or straight connector	142	Double lip seal
		102	Screw	145	Distance washer

165LS Standard: 2 stage gearbox with terminal box



Motorized Pulley 165LS

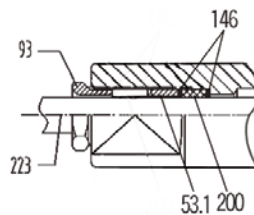
Ø 6.50 in. (165 mm), helical steel gearbox



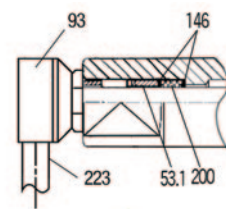
Spare Parts List and Sectional Drawings (cont.)

146	Washer	209	Stainless steel cover - oil plug end	229	Terminal block
148	Washer	210	Fixing guard	230	Screw
150	Electromagnetic brake	223	Cable	240	Distance ring
150.1	Friction disc	226	Stator complete		
156	Rectifier (not shown)				
160	Oil plug				
161	O-ring				
163	O-ring				
167	Screw				
200	Rubber seal				
204	Rotor complete with pinion				
206	Insulated sleeve for wire protection				
208	Stainless steel cover - gear end				

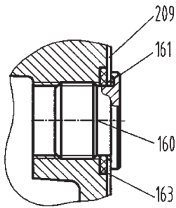
Standard straight cable connection



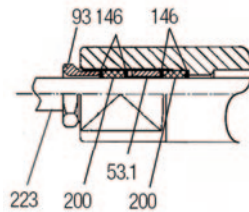
Standard elbow cable connection



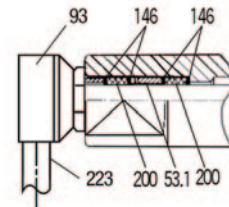
Stainless steel option oil plug



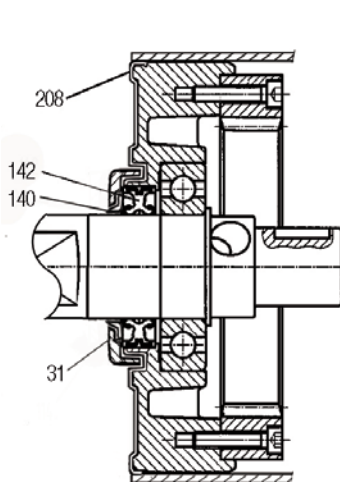
Stainless steel option with straight cable connection



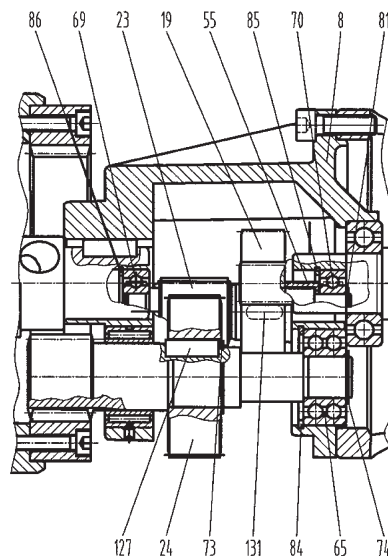
Stainless steel option with elbow cable connection



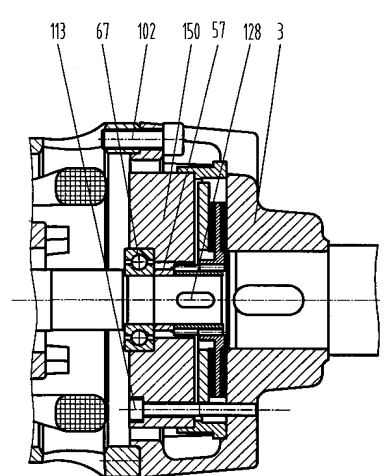
Stainless steel end housing



3-stage gearbox



Electromagnetic brake

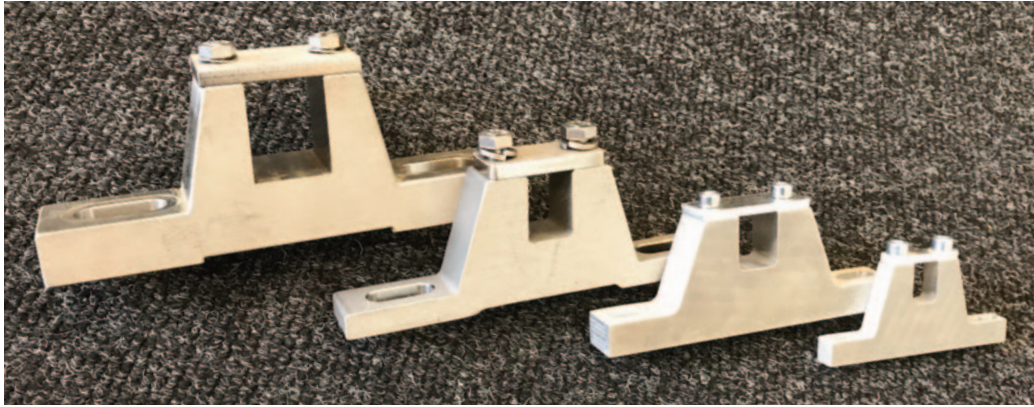




Optional Extras & Accessories

Mounting Brackets	69
Lagging for Standard Belts	70
Profiled Lagging & Shells for Positive Drive Belts	72
Mechanical Backstops	75
Electromagnetic Brakes	76
Rectifiers for Electromagnetic Brakes	78
Encoders: SKF Bearing	79
Encoders: RLS Magnetic Shaft Encoder	81
Power Cords	83

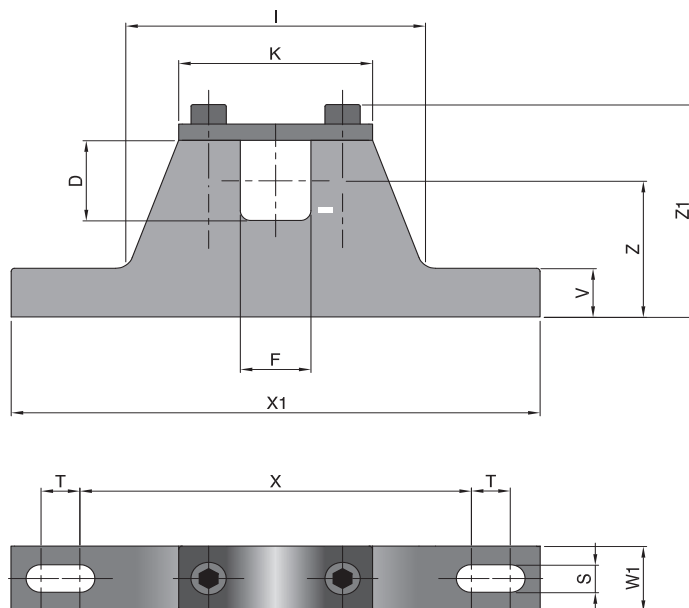
Mounting Brackets for Motorized Pulley and Idler



Mounting brackets: From left to right, 6YA0U (stainless steel for model 165LS), S2YAKA (stainless steel for model 138LS), S1MB03 (aluminum for model 113LS), and S0MB03 (aluminum for model 80LS)

Dimensions, materials, and weights for Mounting Brackets

Motorized Pulley	Standard Matl./ Part Number	Optional Matl./ Part Number	D in	F in	I in	K in	S in	T in	V in	W1 in	X in	X1 in	Z in	Z1 in	Thread	Wt lbs
80LS	Aluminum S0MB03	Stainless steel S0MB-US00SS	0.79	0.55	2.24	1.50	0.26	0.35	0.47	0.39	2.83	4.06	1.38	2.17	M6	0.3/0.5
113LS	Aluminum S1MB03	Stainless steel S1MB-US00SS	0.98	0.79	3.35	2.17	0.33	0.43	0.59	0.79	4.33	5.91	1.65	2.60	M6	1.1/2.0
138LS	Cast iron black paint S2YAKL	Stainless steel S2YAKA	1.18	0.79	3.39	2.24	0.43	0.67	0.47	0.94	4.33	7.09	1.75	2.83	M8	3.1
165LS	Cast iron black paint 6YA0K	Stainless steel 6YA0U	1.57	1.18	3.31	2.44	0.55	0.79	0.87	1.57	4.33	7.48	1.97	3.27	M8	4.4





Lagging for Standard Belts

Smooth or specially grooved lagging to increase friction between the shell and conveyor belt

Product description

Characteristics

- High resistance to oil, fuel and other chemicals
- Increases friction between the shell of the Motorized Pulley and conveyor belt
- Prevents slip between the shell of the Motorized Pulley and conveyor belt
- Longitudinal grooved lagging reduces liquid build up between belt and shell
- Centered V-groove for belt tracking
- Multiple V-grooves for V-belt or round belt conveyors

Applications

- Wet applications
- For standard Motorized Pulleys
- Food and hygienic applications
- Flat belt, round belt or multi V-belt applications
- Hot vulcanization for high-torque Motorized Pulleys

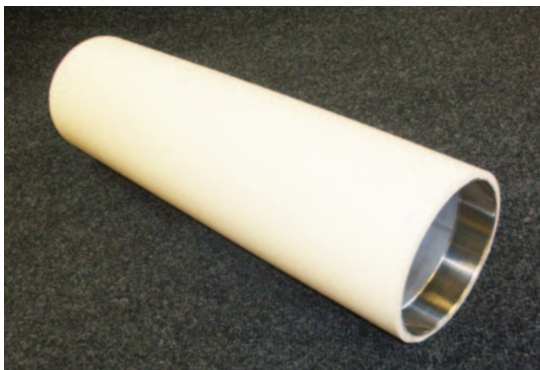
Note: Lagging increases the outer diameter of the Motorized Pulley and increases its speed above that stated in the catalog. The belt pull and belt speed of the Motorized Pulley must be recalculated according to the increased diameter.

Cold Vulcanized Lagging

Lagging profile	Color	Characteristics	Shore Hardness	Thickness (in)
Smooth	Black	Oil and Fat resistant	70 ± 5 Shore A	0.12, 0.20, 0.24, 0.31, 0.39, 0.47
	White	FDA food approved	70 ± 5 Shore A	
Longitudinal grooves	White	FDA food approved	70 ± 5 Shore A	0.31
Diamond Patterned	Black	Oil and Fat resistant	60 ± 5 Shore A	0.31

Hot Vulcanized Lagging

Lagging profile	Color	Characteristics	Shore Hardness	Thickness (in)
Smooth	Black	Oil and Fat resistant	65 ± 5 Shore A	0.12, 0.20, 0.24, 0.31, 0.39, 0.47, 0.55
	White	FDA food approved	70 ± 5 Shore A	
	Blue	FDA food approved	70 ± 5 Shore A	
Longitudinal grooves	Black	Oil and Fat resistant	65 ± 5 Shore A	0.24, 0.31, 0.39, 0.47, 0.55
	White	FDA food approved	70 ± 5 Shore A	
	Blue	FDA food approved	70 ± 5 Shore A	
Diamond Patterned	Black	Oil and Fat resistant	65 ± 5 Shore A	0.24, 0.31





Lagging for Standard Belts

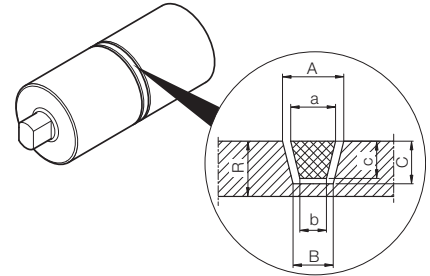
Smooth or specially grooved lagging to increase friction between the shell and conveyor belt

V-groove

Hot Vulcanization

A machined center groove in the hot vulcanized rubber lagging allows the use of conveyor belts manufactured with a tracking profile on the underside of the belt. Designed to help maintain tracking and to prevent belt wander. Conveyors using this type of belt should be designed so that the slider bed or roller bed primarily tracks the belt and not the Motorized Pulley.

V-groove lagging dimensions



Lagging and V-groove dimensions

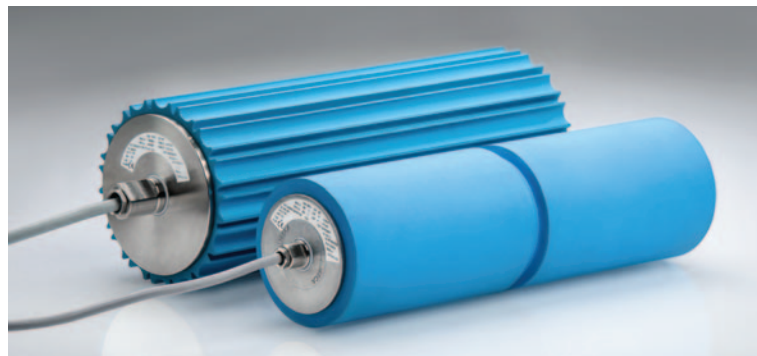
Groove	Lagging R	Groove			Belt		
		A	B	C	a	b	c
K6	0.31	0.47	0.31	0.20	0.24	0.16	0.16
K8	0.35	0.55	0.39	0.28	0.31	0.20	0.20
K10	0.39	0.63	0.47	0.31	0.39	0.24	0.24
K13	0.47	0.75	0.55	0.39	0.51	0.30	0.31
K15	0.51	0.83	0.63	0.43	0.59	0.37	0.31
K17	0.59	0.91	0.71	0.51	0.67	0.37	0.43

All dimensions are expressed in inches.

Motorized Pulley Diameters with V-groove option

Groove	80LS	113LS	138LS	165LS
K6	3.82	5.16	6.06	7.13
K8	3.90	5.24	6.14	7.20
K10	3.98	5.31	6.22	7.28
K13	4.13	5.47	6.38	7.44
K15	4.21	5.55	6.46	7.52
K17	4.37	5.71	6.61	7.68

All dimensions are expressed in inches.





Profiled Lagging for Positive Drive Belts

Specially grooved lagging to drive segmented plastic and smooth continuous positive drive belts

Product description

Characteristics

- Resistance to abrasion
- Low noise during operation
- Reduced belt wear
- Easy to clean
- High resistance to oil, grease, and chemicals

Applications

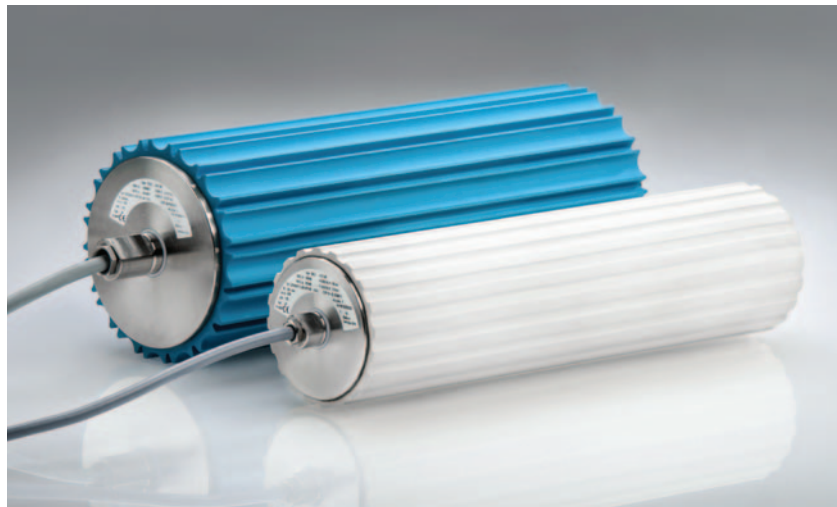
- Applications for food environments
- Profiles to suit most manufacturers' positive drive belts.

Note: Lagging increases the outer diameter of the Motorized Pulley and increases its speed above that stated in the catalog. Belt pull and speed of the Motorized Pulley must be recalculated according to the increased diameter.

Technical data

Material	Hot vulcanized nitrile rubber NBR
Shore Hardness	From 65 to 70 ± 5 Shore A

Modular belt manufacturer	Series	Number of teeth			
		80LS	113LS	138LS	165LS
Intralox	800		9	10	12
	1600	13	16	20	23
	1100 FT PE/AC		27		
	1100 FT PP	20	27	32	38
Siegling	LM50 Series 3		9	10	
Uni Chains / Ammeraal	CNB		16	20	
	MPB		9	10	
	S-MPB	12	16	20	





Profiled Shells for Positive Drive Belts

Specially grooved pulley shells to drive segmented plastic and smooth continuous positive drive belts

Product description

Characteristics

- Stainless steel shells are CNC machined for excellent fitting accuracy and corrosion resistance
- Other shell materials (e.g. acetal) offer low friction
- Cylindrical shells with welded keys for drive sprockets are also available

Applications

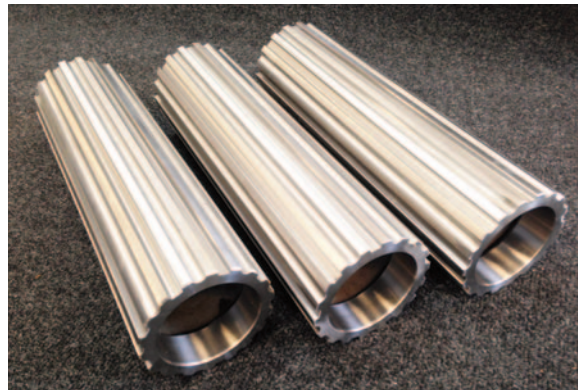
- Applications for food environments
- Profiles to suit most manufacturers' positive drive belts.

Note: Profiled pulley shells are thicker than standard shells. They increase the outer diameter of the Motorized Pulley and increase its speed above that stated in the catalog. Belt pull and speed of the Motorized Pulley must be recalculated according to the increased diameter.

Ordering Information

Different belt designs and materials may affect operational characteristics. Please answer the following questions and send them with your inquiry (also see ordering information sheet on page 9).

- Preferred shell material (e.g. SS, acetal, etc)
- Thermoplastic non-modular belt or plastic modular belt
- Motorized Pulley diameter
- Required belt speed
- Belt manufacturer
- Belt series
- Belt type and variant
- Belt material
- Number of teeth
- Tooth Pitch
- Reversible, yes or no
- Outside diameter (D) in inches
- Pitch circle diameter (PCD) in inches



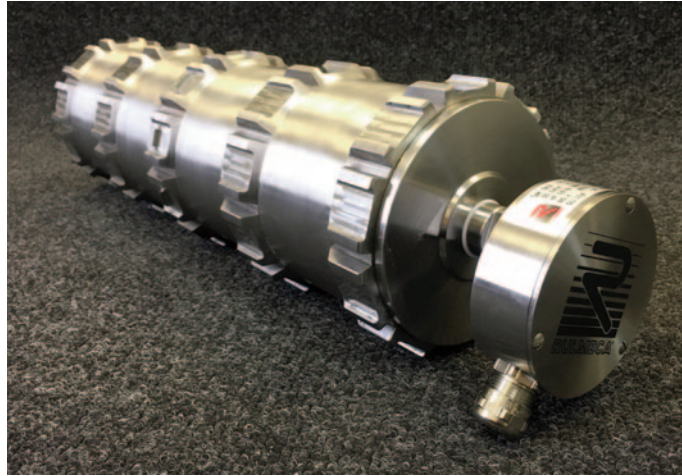
Top: Stainless steel shells profiled to drive smooth continuous positive drive belt

Bottom: Profiled acetal sleeve keyed onto stainless steel shell to drive positive drive belt



Profiled Shells for Positive Drive Belts

Specially grooved pulley shells to drive segmented plastic and smooth continuous positive drive belts



Top: Profiled stainless steel pulley shell to drive plastic segmented belt

Center: Profiled stainless steel pulley shell to drive smooth continuous positive drive belt

Bottom: Profiled stainless steel shell to drive four T10 belts



Product Description

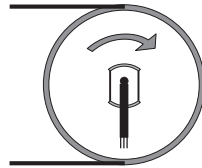
Characteristics

- The backstop runs only in one direction
- Mounted on rotor shaft, except for the 80LS
- Mounted in the end housing on the 80LS
- No need for an electrical connection

Application

- Single direction inclined belt conveyors
- For preventing roll-back of the belt and load when the power supply is off

The rotational direction of the motorized pulley with backstop is indicated by an arrow on the end housing on the electrical connection side.



Rotation arrow

Product range

Rotation direction from the electrical connector side

Clockwise
Counterclockwise



Product description

Characteristics

- Low noise
- Wear contained
- Powered by a separate external rectifier
- Applied directly on the rotor of the Motorized Pulley
- When the power to the motor is lost or stopped the brake will close (mechanically engage)

Applications

- For reversible inclined and declined conveyors
- For holding loads*
- For approximate positioning

* For faster stopping times and accurate positioning, please use a variable frequency drive with braking function and, if necessary, an encoder with feedback control.

Response time

The response time for opening of the brake (Motorized Pulley start) and closing (stop motorized pulley), may vary substantially according to:

- Type and viscosity of the oil
- Level of oil in the drum motor
- Ambient temperature
- Internal motor working temperature
- Switching at input (AC-switching) or at output (DC-switching)
- Control contact of the coil brake into the alternating current supply of the rectifier (long response times), or on the output DC of the rectifier (fast response)
- Type and output voltage of the rectifier control of the brake coil

The difference between the control in alternating current and direct current is shown in the following table:

	AC Switching	DC Switching
Intervention time	Slow	Fast
Braking voltage	Nearly 1Volt	Nearly 500volt

Note: For the brake coil command in DC, the contacts must be protected against surges.

Reduction of braking torque

The rated brake holding torque M , is strongly influenced by the operating conditions of the Motorized Pulley (with oil at high temperatures) and the ambient temperature. To conservatively calculate the load which can be safely held by the brake, reduce the braking torque presented in the table by 50%.

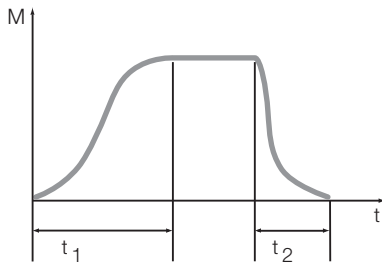


Fig.: Time t /Torque M brake closure

- t_1 Closing response time (de-excitation coil): stop
- t_2 Opening response time (excitation coil): start

Electromagnetic Brakes



Product range							
Motorized Pulley	Rated holding torque M (ft-lbs)	Rated power (W)	Rated voltage (VDC)	Rated current (A)	DC switching t1 (ms)	AC switching t1 (ms)	Opening delay time t2 (start) (ms)
80LS	0.81	12	24	0.5	13	80	20
			104	0.12	13	80	20
113LS 138LS	4.43	24	24	1.00	26	200	30
			104	0.23	26	200	30
			207	0.12	26	200	30
165LS	8.85	33	24	1.38	46	260	40
			104	0.32	46	260	40
			207	0.16	46	260	40



Rectifiers for Electromagnetic Brakes

Product description

Characteristics

- The Rectifier for the electromagnetic brake is an external component and must be installed in a protective box, as close as possible to the Motorized Pulley.
- The fast-acting rectifier starting output voltage equals $0.9 \times$ input AC voltage for 0.004 seconds to 2 seconds, depending on the external resistance. The fast-acting rectifier holding output voltage equals $0.45 \times$ input AC voltage.

Applications

- Motorized pulleys with electromagnetic brake

Product range					
Part number	Input Voltage to Motorized Pulley VAC	Input Voltage to Brake VDC	Rectifier Output Starting Voltage VDC	Rectifier Output Holding Voltage* VDC	Rectifier type
SW4B0A	230	104	207	104	Fast-acting rectifier
SW4BED	460	207	414	207	Fast-acting rectifier

*Using a fast-acting rectifier will save energy and reduce brake coil heat. These types of rectifiers generate a holding voltage lower than the starting voltage of the brake coil itself.



Product description

Characteristics

- Supplies low resolution signals to an external control unit
- Embedded in the rotor bearing
- Cannot be combined with the electromagnetic brake option

Application

- For applications which require the continuous control of the speed, direction, and position of the Motorized Pulley belt or load



Technical data

Rated voltage	From 5 to 24 VDC
Max.operated current	From 8 to 10 mA
Max.output current	20 mA
High level voltage	> 3.5 V
Low level voltage	<0.1 V

INC resolution

The INC resolution (number of increments per pulley revolution) depends on encoder type and can be calculated as follows:

$$INC = Z \times i$$

i Gear ratio of the Motorized Pulley (except for model 80LS). Gear ratio of 80LS equals one because encoder is mounted on end housing and not on motor rotor.

Z Number of encoder increments per rotor revolution

Product range

Motorized Pulley	Bearing type	Increments per rotor revolution
from 80LS to 138LS	6202	32
165LS	6205	48

Note: The Motorized Pulley 80LS with encoder has 2 cables-one exiting through each shaft at either end.



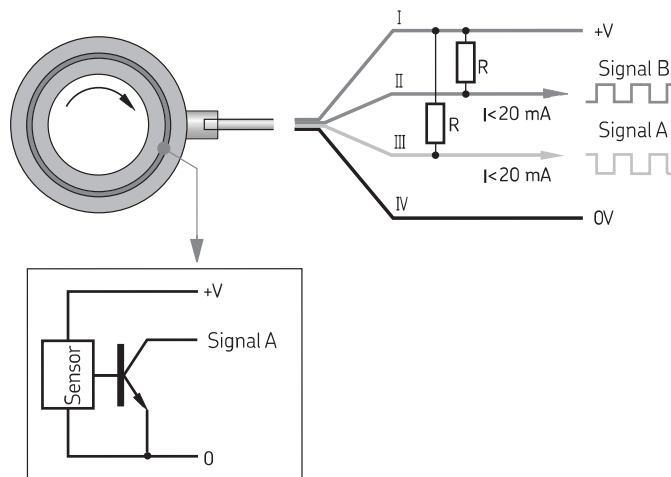
Encoders: SKF Bearing

Control interface

The encoder has open collector NPN transistor outputs. When connected to the input of a control interface the required load resistances (R) have to be used. The load resistances are stated in the table below. When using different interfaces or when you have any doubts, please contact Rulmecca or a local electronic specialist.

Rulmecca recommends the use of an Opto-coupler for the following reasons:

- To protect the encoder
- To enable connection to other levels such as PNP
- To get the maximum potential between high and low signal



Voltage +VDC	Load Resistances R (ohms) Ω
5	270
9	470
12	680
24	1500

Encoders: RLS Magnetic Shaft Encoder

Product description

Characteristics

- Supplies high resolution signals to an external decoder and control unit
- Embedded in the rotor bearing
- Cannot be combined with an electromagnetic brake

Applications

- For applications which require control of speed, direction, and position of the Motorized Pulley belt or load



Technical data

Power supply	$V_{dd} = 5\text{ V} \pm 5\%$
Power consumption	35 mA
Output signals	A, B, Z, A-, B-, Z- (RS422A)
Max cable length	16.40 ft
Operating temperature	-13 °F to +185 °F
Ext. operat. temp.	-40 °F to +257 °F (IP64)
Edge separation	1 μs minimum

The INC resolution

The INC resolution (number of increments per pulley revolution) depends on encoder type and can be calculated as follows:

$$\text{INC} = \text{Z} \times \text{i}$$

i Gear ratio of the Motorized Pulley (except for model 80LS). Gear ratio of 80LS equals one because encoder is mounted on end housing and not on motor rotor.

Z Number of encoder increments per rotor revolution

Product range

Motorized Pulley	Encoder type	Rated voltage VDC	Max. operating current mA	Increments per rotor revolution p	Max.cable length ft	Precision °
80LS - 165LS	RS422A 5V	5	50	1024	16.4	0.5

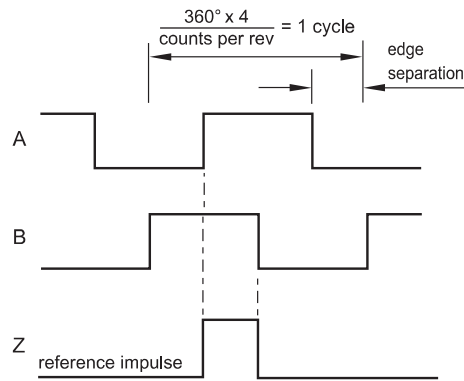
Note: Other resolutions are available on request.



Encoders: RLS Magnetic Shaft Encoder

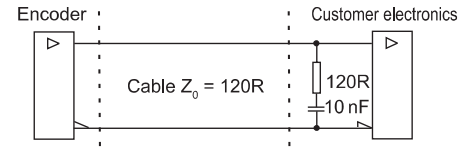
Timing diagram

(complementary signals not shown)



B leads A for clockwise rotation of magnetic actuator.

Recommended signal termination



Data sheet

RM44D01_04

RM44IC - Incremental, RS422A, 5V

Resolution options (increments per rev)	Maximum speed (rpm)	Accuracy	Hysteresis
1024	20000	±0.5°	0.18°
4096	5000	±0.5°	0.18°

* Worst case within operational parameters including magnet position and temperature.

Connections		
Pin Nr.	Function	Wire color
1	Shield	-
2	Z	White
3	B	Green
4	A	Grey
5	V _{dd}	Red
6	Z-	Brown
7	B-	Yellow
8	A-	Pink
9	GND	Blue



Product description

Characteristics

- Power cords are a robust space-saving alternative to terminal box

Applications

- For applications where space is severely restricted



Standard power cord with stainless steel straight connector



Standard power cord and encoder data cord with stainless steel straight connector

Model	80LS	113LS - 138LS	165LS	113LS - 138LS	165LS	80LS-113LS	80LS-113LS
Option	Standard	Standard	Standard	Brake	Brake	RLS Encoder	SKF Encoder
Power Cord							
No. of wires	7	7	7	9	9	7	7
Wire gage	20	19	16	19	16	20	20
Wire identification	numeric	numeric	numeric	numeric	numeric	numeric	numeric
Wire insulation material	PVC	PVC	PVC	PVC	PVC	TPE	TPE
Color of outer sheath	gray	gray	gray	gray	gray	orange	orange
Screen material	copper	copper	copper	copper	copper	copper	copper
Outer diameter of cord (in)	0.26	0.31	0.39	0.41	0.51	0.26	0.27
Operating voltage (V)	300/500	300/500	300/500	300/500	300/500	300/500	300/500
Operating voltage per UL (V)	600	600	600	600	600	600	600
Temperature range (°F)	+23 to +158	+23 to +158	+23 to +158	+23 to +158	+23 to +158	+23 to +158	+23 to +158
Temperature range per UL (°F)	+23 to +194	+23 to +194	+23 to +194	+23 to +194	+23 to +194	+23 to +194	+23 to +194
Approval	UL/CSA	UL/CSA	UL/CSA	UL/CSA	UL/CSA	UL/CSA	UL/CSA
Data Cord							
No. of wires						9	4
Wire gage						22	22
Wire identification						color code	color code
Cord insulation material						PVC	PVC
Outer diameter of cord (in)						0.21	0.19



Environmental Conditions

Hygienic conditions

For food processing and other applications where hygiene is important, we recommend the following materials, connectors and accessories:

- Stainless steel shell
- Stainless steel shaft
- Stainless steel end housings
- IP69 sealing
- Hot vulcanized Lagging, FDA approved and/or oil and fat resistant
- Oil, food-grade, synthetic
- Stainless steel terminal box or straight or elbow connectors in stainless steel
- Diamond patterned lagging is not suitable for food processing because it is difficult to clean and can leave traces of bacteria

Conveyor frame

According to EHEDG design rules, it is highly recommended to incorporate rust-free open conveyor frames to facilitate easy cleaning, wash down, and disinfection of the conveyor, Motorized Pulley, and belt. The rubber material shall be USDA/FDA and EC1935/2004 compliant.

Altitude higher than 3,300 ft

The operation of a Motorized Pulley at an altitude above 3,300 ft above sea level may result in a loss of power and overheating due to low atmospheric pressure and the lower density of the air, which cools the motor. The altitude of the final application should be taken into consideration when calculating the required power. For more information please contact Rulmeca.

Wet and washdown applications

Wet and washdown applications require stainless steel materials for the Motorized Pulley shell and sealing system.

The following materials and accessories are available:

- Stainless steel shell with hot vulcanized lagging (if necessary)
- Stainless steel shaft
- Stainless steel end housing
- IP69 sealing
- Lagging, all types are possible
- Diamond patterned lagging can be used for non-food wet applications
- Cable connectors, all types are possible
- For IP69 sealing option, limit high pressure wash down at various angles to a maximum of 2,150 psi at +176°F at 6 inches from Motorized Pulley for 30 seconds.

Dry and dusty applications

All standard Rulmeca Motorized Pulleys, regardless of specification or material, are sealed to IP66 protection rating. For applications in hazardous areas requiring intrinsically safe or explosion-proof motors, please contact Rulmeca.



Low temperature

In ambient temperatures below -20° F, consider heating the motor windings to keep the oil, seals, and internal parts at a constant temperature. If the motor current is switched off for an extended period of time when the ambient temperature is very low, the motor oil viscosity increases. It is also possible that ice crystals could form within the oil seals and cause premature seal wear. In this situation, select anti-condensation heating system (e.g. trickle voltage through motor.) Contact Rulmeca for additional information.

When a Motorized Pulley is operated in low temperatures (less than +40 ° F), the viscosity of the oil and temperature of the motor when it is not running should be considered. Consider also that condensation inside the Motorized Pulley and terminal box may occur with varying wide ranging temperatures. Also note that very low temperatures reduce the effectiveness of rubber lagging to increase friction.

We recommend the use of the following materials, cables and accessories:

- Stainless steel shell
- Stainless steel shaft
- Stainless steel end housing
- IP69 sealing
- Optional special oils for low temperatures
- Anti-condensation internal heating
- Lagging, all types are possible
- Cable connections, all kinds are possible



Technical Precautions for Design, Installation and Maintenance

Read and follow all safety instructions! These instructions contain important sections on design, installation, safety, use, maintenance, parts replacement, and other technical information. Always include these instructions with pulley.

Read the manual before installing or operating the pulley. Failure to understand how to install or operate the pulley could cause personal injury or even death. Any modification made to or unintended use of the pulley could create a hazardous condition that could cause death or serious injury.

Contents

	<u>Page</u>
Actual Belt Speed vs, Nominal Belt Speed.....	87
Aftermarket Service.....	87
Ambient Temperature.....	87
Belt Alignment.....	87
Belt Pull.....	87
Belt Tension.....	87
Capacitors for Single Phase Motors.....	88
Clearance.....	88
Electric Installation.....	88
Electromagnetic Brake.....	88
Guarding & Lock Out/Tag Out.....	88
High Duty Cycle.....	89
Lagging Description.....	89
Mechanical Backstops.....	89
Motor Current Overload & Overcurrent Protection.....	89
Motor Thermal Protection.....	89
Motorized Pulley Mounting Orientation.....	90
Mounting Brackets.....	90
Non-Belt, Partial Belt, Modular Belt.....	90
Oil & Oil Seal Maintenance.....	90
Pulley Diameter.....	91
Regreasable Labyrinth Seals.....	91
Reversing Conveyors.....	91
Surface Coating.....	91
Storage of Motorized Pulleys.....	91
Start-up.....	91
Terminal Box.....	92
Transport & Handling.....	92
Variable Frequency Drive.....	92

IMPORTANT INFORMATION

- After unpacking the pulley, inspect carefully for any damage that may have occurred during transit. Check to be sure all supplied accessories are enclosed with the unit. If you have questions regarding safety or damaged or missing parts, please contact RULMECA.
- Also, for testing the pulley, shafts must be fixed to a frame properly before motor is connected to the power supply and switched on. The shell must be protected against accidental contact because of rotating.
- It is the responsibility of the contractor, installer, owner and user to install, maintain and operate the conveyor, components and conveyor assemblies in such a manner as to comply with:
The Occupational Safety and Health Act and with any and all state and local laws and ordinances as to the national and international standards:
- ANSI – B20.1 Safety Code and Conveyor Equipment Manufacturers Association (CEMA) voluntary consensus standards which may prevail,
- ANSI – Z535 Warning label Series
- ISO 3864-2 Product Safety labels
- When existing equipment is being retrofitted, upgraded or even changed, it is in the customer's best interest to bring the equipment up to today's standards. If there are any questions, please contact RULMECA.

Do not install standard drum motors in areas with potentially explosive concentrations of vapors, gases, mists and dust.

Technical Precautions for Design, Installation and Maintenance



1) Actual Belt Speed vs. Nominal Belt Speed:

- Two key specifications for each Motorized Pulley are power (HP) and nominal belt speed, as shown on individual specification pages in this catalog.
- Nominal belt speed is a design target, providing consistent choices among all models and powers. For example, a nominal belt speed of 300 fpm is available in most pulley models.
- Actual full load belt speed is almost never exactly equal to nominal belt speed.
- Actual belt speed is a function of the motor pole number, gear ratio, and load. Therefore, this catalog displays actual full load belt speed at 60 Hz, as well as nominal belt speed, to assist designers who need more precise belt speeds.
- Note that all belt speeds shown in this catalog refer to unlagged pulleys, as described in the speed chart footnote for each model.
- Note that each Rulmeca Motorized Pulley for a three-phase power supply uses an asynchronous squirrel-cage induction motor with approximately 5% slip. In a no load condition, motor RPM is nearly equal to “synchronous speed” RPM. The slip rate is dependent on power and design of the motor. Low-powered motors have a lower slip rate than high-powered motors. At full load, the motor RPM is approximately 5% less than synchronous.
- The “actual belt speed” displayed in this catalog is based on an unlagged pulley running at full load, nominal voltage (e.g. 460 volts), and 60 Hz.
- The maximum no load belt speed of this pulley is approximately 5% higher than the full load belt speed.

2) Aftermarket Service:

- Always contact your local authorized Rulmeca service center or distributor for aftermarket service.
- You may also contact Rulmeca at sales-us@rulmeca.com.

3) Ambient Temperature:

- Motorized Pulleys are normally cooled by dissipating heat through contact between the surface of the pulley and the conveyor belt. It is essential that each pulley have an adequate thermal gradient between the pulley’s motor stator and its “ambient operating temperature”.
- All Motorized Pulleys in the catalog are designed and tested under full load for use in a maximum ambient temperature of +104°F with standard Class F motor. Motorized Pulleys with Class H motors and synthetic oil are suitable for use in a maximum ambient temperature of 120°F.
- For example, a conveyor belt in a facility with an air ambient temperature of +75°F, carrying processed material at a temperature of +130°F, will have a Motorized Pulley “ambient operating temperature” that is significantly higher than +75°F. In this example, the actual temperature of the bottom of the belt in the vicinity of the Motorized Pulley may be equal to the material temperature, depending upon parameters such as conveyor length, belt thickness and belt speed.
- In retrofit applications it is advisable to measure the temperature

of the underside of the belt near the the drive pulley to determine the actual “ambient operating temperature”.

- For ambient operation conditions lower or higher than allowable ambient temperature (-22°F to 120°F), contact Rulmeca.
- All Motorized Pulleys shown in this catalog must be fitted with a conveyor belt to prevent overheating. Motorized Pulleys fitted without a belt must be referred to Rulmeca.
- It is possible to use specially designed Motorized Pulleys to perform tasks other than driving standard rubber conveyor belt (e.g. modular plastic belts and v-belts. Please contact Rulmeca for such applications.
- Operating Rulmeca Motorized Pulleys to drive standard conveyor belts outside of the allowable ambient temperature range voids product warranty.

4) Belt Alignment:

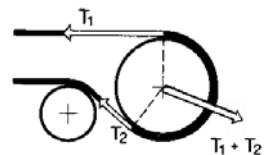
- Motorized Pulleys must be installed with pulley shaft perpendicular to belt centerline and parallel to all idler rollers.
- Belt centerline must be straight and parallel to side walls of slider bed (if any) and perpendicular to idler rollers and all pulleys.
- Belt and/or roller misalignment may cause high friction and overload the conveyor belt drive motor.
- Belt misalignment may cause premature wear of pulley lagging.

5) Belt Pull:

- This catalog specifies “Actual Belt Pull” for each model, power, and speed of pulley. Note that the specified actual belt pull allows for a motor and gearbox efficiency loss of 3 to 5%.
- Always select the Motorized Pulley power by comparing calculated “Required Belt Pull (Te)” with “Actual Belt Pull” as listed in this catalog and not simply on the basis of calculated power (HP).

6) Belt Tension:

- The conveyor should never be over-tensioned. It should only be installed with sufficient belt tension to prevent belt slippage.
- Anti-slip lagging should be used to keep the radial load as low as possible to drive the belt without slipping.
- The maximum allowable radial load of each Motorized Pulley is specified in this catalog. Subjecting the Motorized Pulley to a higher than specified maximum radial load may damage internal components and shorten product lifetime and, therefore, voids product warranty.
- To check the pulley radial load, do a vector summation of the loads on the pulley.
- For example, as shown in the diagram,
 1. Radial load equals $T_1 + T_2$.
 2. T_1 , tight side tension, equals Belt Pull (Te) plus T_2 .





Technical Precautions for Design, Installation and Maintenance

3. T2, slack side tension, is determined using CEMA standard calculations or DIN 22101 to provide enough friction between the pulley and the belt to drive the belt and limit the belt sag between idlers.

- Belt type, belt thickness and minimum allowable pulley diameter must be selected according to Belt Supplier Requirements.

7) Capacitors (for Single Phase Motors):

- Each single phase Motorized Pulley requires an appropriate “Run” capacitor, ordered separately. Detailed information is available upon request.
- Using other than the specified Run capacitor and a current-dependent switching relay may damage the motor and voids product warranty.
- The Run capacitor must be permanently connected to the motor, as shown in the connection diagram.
- Rulmeca single phase motors are “permanent split phase motors”. Each motor is supplied with two windings. They are designed so that an appropriately sized capacitor connected to one of the windings will start the motor rotating.
- Starting torque is limited to 70% of full running torque when only a “Run” capacitor is used.
- It is possible to increase starting torque to 100% by adding a second appropriately sized capacitor (“Start” capacitor) to the circuit. Note that this circuit must be designed to drop the starting capacitor out of the circuit after the motor has reached its nominal speed. Contact Rulmeca for more information on how to run single phase motors using the Start and Run capacitors.

8) Clearance:

- It is necessary to design conveyor frame and all chutes such that structure and/or product jamming against the Motorized Pulley is avoided.
- The “non-rotating shaft” feature of Motorized Pulleys offers a higher margin of safety than exposed drives with rotating shafts. However, Motorized Pulley end housings, lagging or tube may be damaged if structure or product jams against pulley while it is rotating.

9) Electrical Installation:

- The equipment manufacturer (OEM) must ensure that the Motorized Pulley is not put into operation before it is
 - Correctly installed
 - Correctly connected to the power supply
 - Correctly protected
- A specialist must perform the electrical connection of the Motorized Pulley in accordance with electrical regulations. If in doubt, contact Rulmeca.
- A wiring diagram is always supplied with the Motorized Pulley. Always refer to the connection instructions and ensure that the motor power and control circuits are properly connected.

- Standard Rulmeca Motorized Pulleys are delivered with clockwise rotation when viewed from the terminal box end of the Motorized Pulley.
- Always refer to the connection instructions and ensure that the motor is connected as required to the correct power supply.
- Connect system ground wire to grounding screw located in the terminal box.
- When using cable options, the green/yellow wire must be connected to the system ground wire.

10) Electromagnetic Brake:

- The spring-loaded electromagnetic brake is intended for use as a conveyor belt holding device and not a conveyor belt stopping device.
- The control circuit for the Motorized Pulley motor and brake must be designed to stop the pulley motor before brake clamps shut and start the pulley motor after the brake is released.
- Spring-loaded electromagnetic brakes are designed to release when power is applied to the brake coil. This is a “fail safe” feature. They clamp shut when brake power is removed (either during normal operation or during an emergency loss of overall system power).
- Control circuit must be designed so that motor and brake never work against each other. The brake should never be clamped shut when the motor is on except for “emergency stop” condition. The motor should never be powered on (including “jog” command) when the brake is clamped shut.
- Electromagnetic brakes are DC-powered. They are supplied with AC to DC rectifiers to be mounted in a remote panel (by others). Rectifiers must be fuse-protected.
- Motor control circuit must be designed to kill motor power in the event of loss of brake power. If this safety provision is not made, it is possible for pulley motor to be “powered through” a clamped brake, ruining brake and/or motor.
- A wiring diagram is supplied with every Motorized Pulley. Always ensure that motor and brake power and control circuits are connected according to instructions. Wiring diagrams are available separately, at any time, upon request.
- For rectifier connection and protection instructions, refer to rectifier data sheet supplied with Motorized Pulley.
- The built-in brake disc is a wear part. Its lifetime depends on the operating conditions.
- Neglecting these instructions could cause damage to the motor and/or brake and voids product warranty.

11) Guarding and Lock Out/Tag Out:

- If repair or maintenance is required, the Motorized Pulley must be disconnected from the power supply before the terminal box can be opened. Turn the electrical power off at the electrical panel board (circuit breaker or fuse box) and lock and tag the panel board door to prevent someone from turning on power while unit is being serviced. Failure to do so could result in serious electrical shock, burn, or possible death.
- During a test run, the shaft ends must be correctly fixed to the support frame and guarding must be provided around the

Technical Precautions for Design, Installation and Maintenance



rotating parts for the protection of all personnel.

WARNING: DO NOT operate without guards in place. Failure to follow these instructions could result in death or serious injury.

12) High Duty Cycle:

- Rulmeca Motorized Pulleys are designed to operate either continuously or intermittently. The table below gives each standard model's maximum allowable start/stop duty cycle for intermittent operation. Operating Motorized Pulley above this maximum could cause motor and/or gearbox damage and voids product warranty.

Maximum Number of Start/Stops per Minute		
Model	3 phase	1 phase
80LP, 80LS, 113LP, 113LS	15	10
138LS	4	Contact Rulmeca
165LS	3	Contact Rulmeca

- Optional Motorized Pulley designs are available to operate at higher duty cycles working with soft start devices or appropriately programmed Variable Frequency Drives. Contact Rulmeca before designing a system to operate at a duty cycle higher than specified in this catalog.
- Note that a conveyor control system that incorporates a "jog" command should be timed to restrict the number of jogs to the maximum allowable start/stop duty cycle for each pulley model.

13) Lagging Description:

- Smooth, diamond pattern, and profiled lagging is available in different colors. Approximate rubber hardness is 65-70 durometer (shore hardness A).
- Cold bonded or hot vulcanized lagging is available.
- Oil & grease resistant synthetic rubber is also available for oily operating conditions and/or certain types of belting material. Check with belting supplier if belt/lagging material compatibility could be a problem.
- Adequate Motorized Pulley heat dissipation is necessary. Lagging thickness and width greatly effect pulley heat dissipation characteristics.
- Contact Rulmeca before applying any lagging to pulley surface to obtain thickness and width specifications and maintain Motorized Pulley warranty coverage.
- Lagging material is a wear item and should be replaced when it wears out. Service life depends upon the application. Product warranty does not include lagging wear.
- Rulmeca Motorized Pulleys shown in this catalog must be fitted with a conveyor belt to prevent overheating. Motorized Pulleys fitted without a belt must be referred to Rulmeca.

14) Mechanical Backstops:

- Motorized Pulleys fitted with mechanical backstops are used on inclined conveyors to prevent run back of the loaded belt when power supply is off.
- The backstop is built into the Motorized Pulley and mounted on the rotor shaft.

- If pulley is supplied with optional mechanical backstop, direction of proper rotation of pulley is indicated by an arrow which is fastened to the end housing on the terminal box (or power cord) side of the pulley. Clockwise and counterclockwise backstops are available.
- Rotation direction is to be specified when placing the order.
- Pulley rotation is specified from the point of view of a person looking at the pulley from the terminal box (or power cord) side of the pulley.
- The identity of each of the three phases of the power supply must be determined before attaching power supply wires to the pulley to prevent the motor from driving against the backstop. The identities of the three phases of the motor are clearly labeled on the terminal strip or wires (in power cord type).
- Driving the motor against the mechanical backstop may damage motor and/or backstop and voids product warranty.

15) Motor Current Overload and Overcurrent Protection:

- Motor control system must include protection against operating pulley motors in excess of Full Load Amperage (FLA.). The control system should also include protection against voltage spikes and excessive jogging of motors. Failing to provide adequate current overload and over current protection could stress the motor and voids product warranty.
- Electrical connection diagrams for many models are included in this catalog. Connection diagrams for all other models are available upon request.
- FLA data is available for all motors upon request. FLA data is also supplied on motor label for each Motorized Pulley.
- Electrical power, control, and protection for Motorized Pulleys must adhere to all pertinent regulations.

16) Motor Thermal Protection:

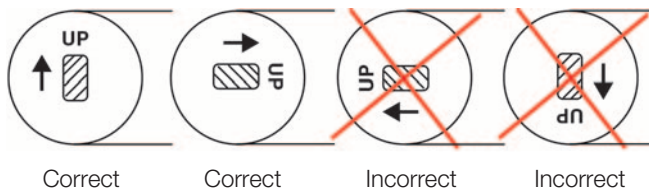
- All Motorized Pulleys are supplied with thermal protection. It consists of heat-sensitive, bimetallic switches that are built into each motor winding. The switches are designed to open if motor temperature elevates to an inappropriately high level. Standard Rulmeca thermal switch has a maximum current limit of 2.5 amps at 230 volts. Other thermal switches are available.
- Switches in three phase motors must be connected to a normally closed control circuit (in series with a magnetic coil/relay device and contactor) in order to validate product warranty.
- Switches in certain single phase motors are installed in series with motor winding. These switches can deactivate and re-energize motors automatically.
- A motor control circuit for three phase Motorized Pulleys should kill motor power if thermal switch opens. Thermal switches will automatically close as motor cools. Cooling times vary with pulley model, power, and size. However, 30 to 60 minutes is common with most motors in an ambient temperature of 70° F.



Technical Precautions for Design, Installation and Maintenance

17) Motorized Pulley Mounting Orientation:

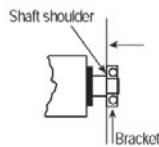
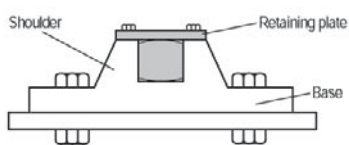
- Rulmeca Motorized Pulleys should always be mounted with pulley shafts horizontal, parallel to idler rollers, and perpendicular to conveyor centerline.
- Motorized Pulleys are positioned such that the mounting brackets are located parallel or perpendicular to the conveyor frame. If Motorized Pulley needs to be mounted to the bottom of a horizontal beam, contact Rulmeca.
- For Motorized Pulley types 80LP - 165LS “UP” is indicated with the word “UP” stamped on the pulley shaft.



- Models 80LP - 165LS are to be mounted as shown on the sketch above.
- In case of a non-horizontal installation $> \pm 5$ degrees, consult Rulmeca.
- Mounting the Motorized Pulley in a position other than those described above could cause severe product damage and voids product warranty.

18) Mounting Brackets:

- Use the correct Rulmeca mounting brackets matching the respective types of Motorized Pulleys as listed in this catalog.
- Note that it is physically possible, but not permissible, to interchange mounting brackets between models. Mounting brackets designed for smaller diameters or lower-powered pulleys may not be used for larger diameters or higher-powered pulleys.
- Mounting brackets must be mounted to frame such that belt pull is resisted by the shoulder or base of the mounting bracket. Mounting brackets have a top shaft retaining plate. This plate is not designed to resist belt pull.



- The designer must select appropriate mounting bolts to resist belt forces and/or the weight of the pulley depending on the mounting position of the pulley.
- All types of mounting brackets must be fully supported by and fastened to the conveyor frame such that the shafts ends do not deform. Shaft ends must always be fully supported by the brackets..
- Mounting brackets should be fitted such that they are in contact

with the shoulder of each shaft. This will:

1. Eliminate Motorized Pulley axial play between mounting brackets.
 2. Keep shaft deflection to a minimum.
- In noise-sensitive areas, the designer should use heavier gauge support structure and appropriate vibration isolating material, as necessary.
 - When Rulmeca Motorized Pulley mounting brackets are not used, it is essential that:
 1. The mounting equipment supports at least 80% of the shaft flats.
 2. The clearance between each shaft flat shoulder and its support is less than 0.030 inches.
 - A Motorized Pulley with frequent reversible operations or many start/stops should be mounted with no axial clearance between the shaft flat and the brackets.
 - Failing to follow these precautions could cause pulley and/or bracket damage and voids product warranty.

19) Non-Belt, Partial Belt, Modular Belt:

- Special Motorized Pulley designs are available for “non-belt, V-belt, partial belt, and modular belt” applications. See “Ambient Temperature Section” above.
- It is essential that each special application be designed to adequately dissipate heat from the pulley surface.
- Using a standard Motorized Pulley in one of these special applications could result in motor heat damage and voids product warranty.
- Contact Rulmeca for assistance with these applications.

20) Oil and Oil Seal Maintenance:

- All Motorized Pulleys are supplied with an appropriate quantity of oil. Oil type is specified by customer. Oil type and quantity are given on the motor nameplate. Only approved non-conductive oil may be used in Motorized Pulleys.
- Standard, synthetic, food grade, low viscosity (for low temperature applications,) and high viscosity (in noise-sensitive areas) are all available. For approved oil types and quantities, see pages 94 and 95.
- Motorized Pulleys require periodic oil changes and are supplied with two oil fill/drain plugs in end housing. Special “vertical mount” pulleys have four oil plugs (two in each end housing.)
- Mineral oil should be changed after each 20,000 operating hours under normal operating conditions.
- Synthetic oils should be changed after each 50,000 operating hours under normal operating conditions.
- Magnetic oil plug(s) should be cleaned during each oil change.
- Note that oil seals, regardless of oil type used, should be changed after 30,000 operating hours. Rulmeca service personnel or authorized local service providers can perform this work.
- Take special precautions when changing brands of oil and types of oil because of potential oil incompatibility. Contact your local oil supplier for assistance.

Technical Precautions for Design, Installation and Maintenance



For example, when changing from standard to synthetic oil, it is necessary to:

1. Completely drain old standard oil;
 2. Partially fill pulley with “Clean-Flush-Lubricate” (CFL) fluid;
 3. Run pulley for 20 minutes;
 4. Drain CFL fluid completely; then
 5. Fill pulley with appropriate amount of new synthetic oil.
- Failing to observe these oil & oil seal precautions could shorten pulley service life and voids product warranty.
 - All the above instructions refer to Motorized Pulleys constantly working under full load. In case of Motorized Pulleys not working continuously under full load, the service life will increase considerably. When checking the oil, the cleanness of the oil is always the best guideline of:
 - The wear and condition of the gears and bearings
 - Whether to change the oil immediately or possibly delay the oil change

21) Pulley Diameter:

- The type and size of conveyor belt will determine the minimum allowable Motorized Pulley diameter. Using a pulley diameter too small for the belt can cause belt delamination, belt splice damage and can shorten both belt and pulley lagging life. Contact your belting supplier before specifying a pulley diameter.

22) Regreasable Labyrinth Seals:

- All Rulmeca Motorized Pulleys are hermetically-sealed. Standard oil seals are designed to contain oil within the Motorized Pulley during normal operating conditions. They are capable of withstanding an internal pressure rise that occurs as the pulley motor temperature increases.
- Optional regreasable labyrinth seals are available to protect oil seals from harsh operating or maintenance conditions. Each labyrinth seal provides a barrier to prevent ingress of dust and fluid through the oil seal.
- In abrasive operating conditions labyrinth seals should be periodically grease-purged to flush abrasive dust away from the oil seal. Grease should always be seen at the labyrinth gap.
- If re-grease frequency is high, an automatic greasing system is recommended.
- In wet conditions (e.g. food processing), where it is common to wash down equipment with high-pressure detergent spray, labyrinth seals provide a physical barrier to protect oil seals. Since high-pressure sprays can remove grease from the labyrinth seal, grease is not used.
- Failing to perform proper labyrinth seal maintenance could shorten service life and voids product warranty.

23) Reversing Conveyors:

- All Motorized Pulleys for a three-phase power supply are reversible. Mechanical backstop option is not possible for reversible conveyor applications.
- The conveyor drive control system must be designed to bring the Motorized Pulley to a complete stop before reversing

conveyor belt direction.

- Reversing conveyor direction without stopping the drive motor will damage motor and gearbox and voids product warranty.

24) Surface Coating:

- The standard model 165LS Motorized Pulley is supplied with powder coated end housings.
- All smaller standard Motorized Pulleys are supplied with aluminum end housings.
- Carbon steel shells and shafts are treated with anti-rust wax.
- Stainless steel end housings, shells, shafts, and terminal boxes receive no surface coating.

25) Storage of Motorized Pulleys:

- During storage, Rulmeca Motorized Pulleys must be:
 - stored in a building or, as a minimum, covered by an awning.
 - protected against direct sunlight so that sealing system does not dry out.
 - rotated 180 degrees every 6 months to lubricate all internal components.
- Check that Motorized Pulley is properly fixed to the test frame during the test.
- If Motorized Pulleys must be stored longer than 1 year, they must be tested before being put into operation. Such a test should include the following:
 - Motor winding should be checked with an insulation tester
 - Winding resistance should be checked
 - Thermal protector should be checked with a continuity tester
 - Pulley should be connected to power supply and run for 30 minutes
 - Pulley should then be checked to verify that there are no oil leaks
 - Pulley should then be checked to verify that pulley body temperature does not exceed +160° F

26) Start-up:

- Prior to initial start-up of Motorized Pulley:
 - Verify that Motorized Pulley nameplate data matches customer specification.
 - Ensure electrical connections are correct.
 - Check that Motorized Pulley is free to rotate.
 - Check that slack side belt tension is adequate to prevent belt slippage.
 - Check that belt is not over-tensioned.
 - Ensure that oil is present in the Motorized Pulley.



Technical Precautions for Design, Installation and Maintenance

27) Terminal Box:

- Motorized Pulleys are available with terminal boxes or power cords.
- Switch off power supply & control circuit before opening terminal box.
- Each terminal box has one or more conduit nipples and a cover plate. Cover plate should be removed to facilitate termination of power and control wires within the terminal box. After wire connections are made cover plate should be replaced.
- Terminal boxes should never be disassembled or removed from the end of the shaft.
- Modifications to terminal boxes should only be made by an authorized Rulmeca service center or after obtaining permission and instructions, in writing, from Rulmeca.
- A wiring diagram is provided with each Motorized Pulley.
- Dismantling and reassembling a terminal box could cause a short circuit in the factory set (and tested) internal wiring and voids product warranty.



Terminal box

28) Transport and Handling:

- For safety reasons during transport and assembly a lifting rope suitable to support the weight of the pulley must be used. The weight of the pulley is stamped on the data plate and/or given in the catalog.
- The rope must be fixed on the shaft ends.
- Do not lift the Motorized Pulley by the power cord or terminal box.

29) Variable Frequency Drive:

- It is essential that each Variable Frequency Drive (VFD) be set to insure proper cooling of the motor. Motorized Pulleys dissipate motor heat into conveyor belts by using oil as a heat transfer medium. If operators attempt to drive the motor too slow or too fast, then oil circulation and motor cooling can become problematic and product warranty is void.
- When driving Rulmeca Motorized Pulleys at various frequencies with VFDs, make sure to set the device in "vector mode". In general, there will be no more than 5% torque loss. That means a Rulmeca Motorized Pulley may be set to deliver essentially "constant torque" within a set frequency range. However, do not undersize the conveyor drive when configured in this manner. Make certain the conveyor drive provides enough belt pull at each end of the desired belt speed range. Remember that horsepower is linearly proportional to frequency.



- When driving Rulmeca Motorized Pulleys with flux vector VFDs, operating frequency ranges of <12 Hz to > 66 Hz are possible, depending on various parameters including but not limited to ambient temperature, nominal belt speed and required belt pull. Contact Rulmeca for assistance with these special applications.
- It is possible for certain brands of VFD to set up resonant frequencies in the power line between the VFD and the motor if the power line is too long. These can cause voltage spikes in the motor. Potential resonant frequencies may be eliminated as follows: (1) limit the distance between the VFD and the motor (some VFD manufacturers recommend cable lengths of 30 feet or less), (2) install a filter on the VFD output (available from VFD manufacturer), and/or (3) select a VFD which modulates pulse width in a manner so as to avoid resonance.
- To avoid any electromagnetic interference, the cable from motor to the VFD should be screened and properly grounded.
- The power and current range of the VFD must be selected according to the full load amperage given on the Motorized Pulley data plate.
- Contact VFD supplier to properly match the VFD capabilities with the conveyor operating requirements and Motorized Pulley electrical characteristics.



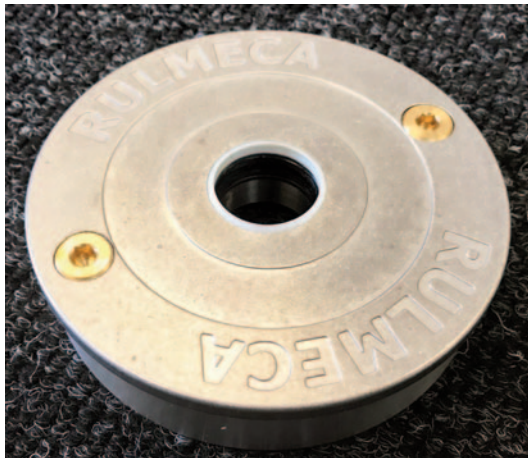
Product description

Characteristics

- Standard end housings for LS series Motorized Pulleys include unpainted aluminum exterior surface, brass socket head oil plugs, double lip nitrile rubber shaft seals, and PTFE deflection seals, offering a protection rating of IP66.
- Optional TS8N end housings for LS series include smooth SS exterior surface, SS flat head screw oil plugs, double lip Viton® shaft seals, and PTFE deflection seals, offering a protection rating of IP69.

Protection Ratings

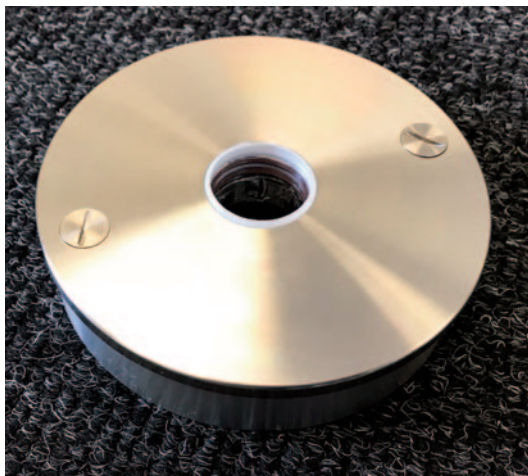
- IP66 sealing insures that equipment is “dust tight” and protected from projections of water which are similar to marine swells.
- IP69 sealing insures that equipment is “dust tight” and can withstand high pressure cleaning from various angles for 30 seconds/each at a distance of 4” to 6” at a pressure of 2,150 psi with a water temperature of +176° F.



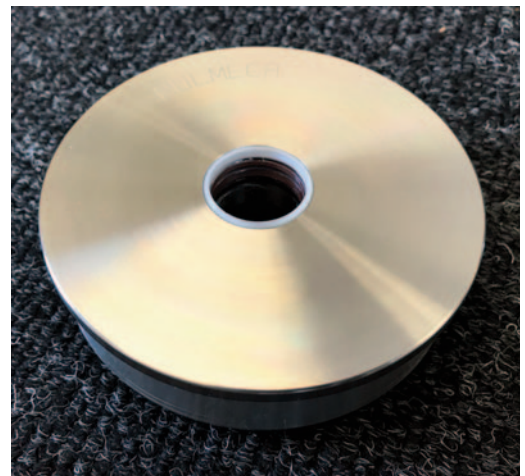
Standard aluminum end housing with oil plugs



Standard aluminum end housing without oil plugs



Stainless steel end housing (TS8N) with oil plugs



Stainless steel end housing (TS8N) without oil plugs



Oil Quantities and Oil Types

Oil Quantity (pints)				
RL (in.)	80LS	113LS	138LS	165LS
7.87	0.2			
9.84	0.3	0.7		
11.81	0.4	0.9	1.5	
13.78	0.5	1.1	2.0	2.5
15.75	0.5	1.4	2.5	3.0
17.72	0.6	1.6	3.0	3.5
19.69	0.7	1.8	3.0	4.0
21.65	0.8	2.1	4.0	4.0
23.62	0.9	2.3	4.0	5.0
25.59	1.0	2.5	4.5	5.5
27.56	1.1	2.8	5.0	5.5
29.53	1.1	3.0	5.5	6.0
31.50	1.2	3.2	6.0	6.5
33.46	1.3	3.5	6.5	7.0
35.43	1.4	3.7	7.0	7.5
37.40	1.5	3.9	7.0	8.0
39.37	1.6	4.2	8.0	8.0
41.34		4.4	8.0	8.5
43.31		4.6	8.5	9.5
45.28		4.9	9.0	9.5
47.24		5.1	9.5	10.0
49.21			9.5	10.5
51.18			10.0	11.0
53.15			10.5	11.5
55.12			11.0	12.0
57.09			11.0	12.0
59.06			10.0	12.5
61.02			10.5	12.0
62.99			11.0	12.5
64.96			11.0	13.0
66.93			11.5	13.5
68.90			12.0	14.0
70.87			12.5	14.5
72.83			12.5	15.0
74.80				15.0
76.77				15.5
78.74				16.0

Note: The oil contents shown above are valid for standard unlagged drum motors only. For special options the oil quantity can deviate. Therefore always use the given oil quantity shown on the data plate.

Oil Quantities and Oil Types



Motorized Pulley Oil type	IEC34 Insulation Class	Ambient Temp.	ISO 3498 DIN51519	DIN 51517	Castrol	BP	ESSO Mobil	Shell	Texaco	Fuchs
80LS Mineral	F	23°F +104°F	CC ISOVG 68	CLP ISOVG 68	ALPHA SP 68	ENERGOL GR-XP 68	MOBILGEAR 600 XP 68	OMALA 68	MEROPA 68	
80LS Synthetic	F & H	-13°F +104°F	CC ISOVG 68	CLP ISOVG 68	ALPHA SYN T 68		SHC 626 68			
80LS Synthetic food grade	F & H	-40°F +104°F	CC ISOVG 68	CLP ISOVG 68			CIBUS 68*			CASSIDA FLUID HFS 68
113LS Mineral	F	23°F+104°F	CC ISOVG 150	CLP ISOVG 150	ALPHA SP 150	ENERGOL GR-XP 150	MOBILGEAR 600 XP 150	OMALA 150	MEROPA 150	
113LS Synthetic	F & H	-13°F +104°F	CC ISOVG 150	CLP ISOVG 150	ALPHA SYN T 150		SHC 629 150			
113LS Synthetic food grade	F & H	-22°F +104°F	CC ISOVG 150	CLP ISOVG 150			CIBUS 150*			CASSIDA GL150
138LS - 165LS Mineral	F	23°F +104°F	CC ISOVG 150	CLP ISOVG 150	ALPHA SP 150	ENERGOL GR-XP 150	MOBILGEAR 600 XP 150	OMALA 150	MEROPA 150	
138LS - 165LS Synthetic	F & H	-13°F +104°F	CC ISOVG 220	CLP ISOVG 220	ALPHA SYN T 220		SHC 630 220			
138LS - 165LS Synthetic food grade	F & H	-22°F +104°F	CC ISOVG 220	CLP ISOVG 220			CIBUS 220*			CASSIDA GL220

* These brands and specifications are supplied as standard from Rulmeca Corporation, Wilmington, North Carolina.

Oil contents for vertical mounting regardless of roller length		
Model	Pints	Special construction
80LS	0.4	Electrical connection must be located at the top
113LS	1.3	
138LS	3.0	
165LS	6.5	

Note: The given oil contents are valid for standard unlagged drum motors only. For special options the oil quantity can deviate. Therefore always use the given oil quantity shown on the data plate.



Index of Connection Diagrams

Termination	Models	Page	
Power Cord	80LP-138LP		
	(6 wire) 3 Phase Single Voltage US Motor	97	
	(9 wire) 3 Phase Dual Voltage European Motor	97	
	(7 wire) 1 Phase Single Voltage US Motor Thermal Switch not in series w/motor	98	
	(7 wire) 1 Phase Single Voltage US Motor Thermal Switch in series w/motor	99	
	80LS-165LS		
	(6 wire) 3 Phase Single Voltage US Motor	100	
	(9 wire) 3 Phase Single Voltage US Motor with internal brake option	101	
	3 Phase Dual Voltage European Motor	102	
	138LS		
	(7 wire) 1 Phase Single Voltage US Motor	103	
	Terminal Box	113LS	
		3 Phase Dual Voltage European Motor	104
		138LS	
		1 Phase Single Voltage US Motor	105
		113LS-165LS	
3 Phase Single Voltage US Motor with and without internal brake option		106	
3 Phase Dual Voltage US Motor with and without internal brake option		107	
138LS-165LS			
3 Phase Dual Voltage European Motor		108	



80LP-138LP Connection Diagrams

Power Cord (6 wire) - 3 Phase

Single Voltage - US Motor

Code:

T1 & T2: Thermal protection

bn - brown

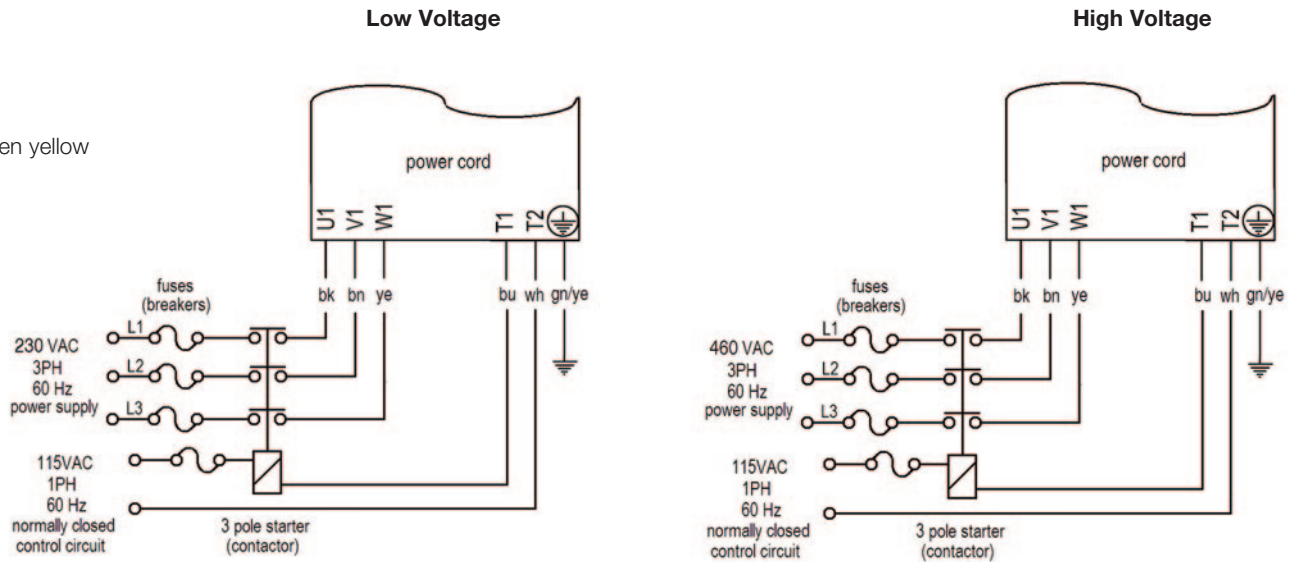
bk - black

ye - yellow

bu - blue

wh - white

gn/ye - green yellow



80LP-138LP Connection Diagrams

Power Cord (9 wire) - 3 Phase

Dual Voltage - European Motor

Code:

T1 & T2: Thermal protection

bn - brown

vy - violet

bk - black

rd - red

ye - yellow

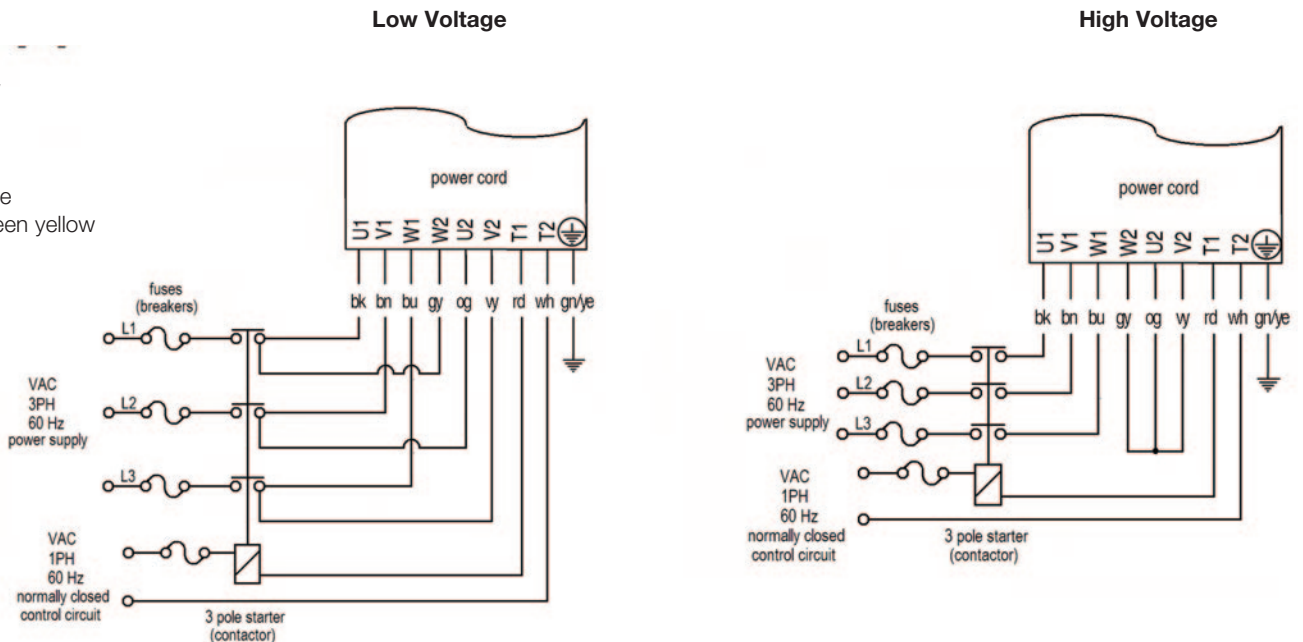
bu - blue

wh - white

gy - gray

og - orange

gn/ye - green yellow



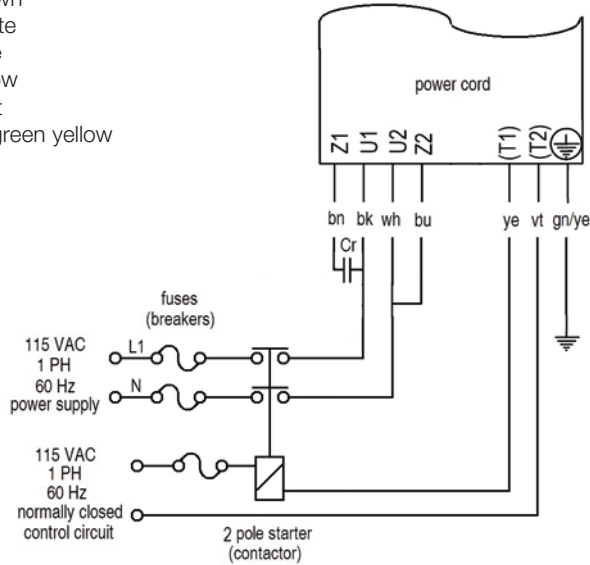


80LP-138LP Connection Diagrams

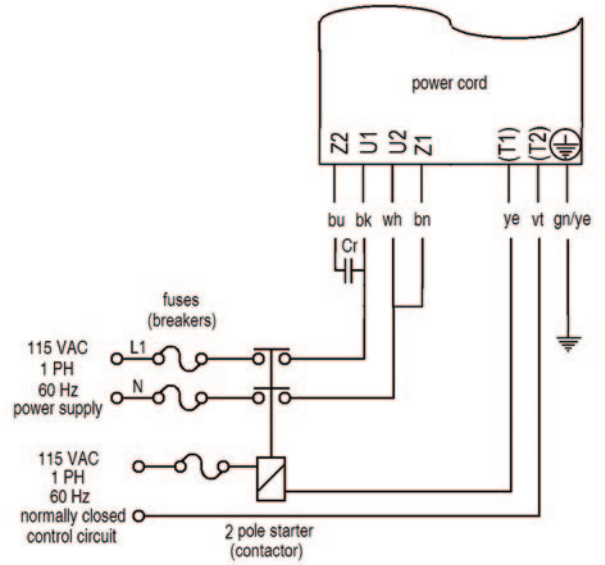
Power Cord (7 wire) - 1 Phase - Single Voltage - US Motor
Internal Thermal Protection Switch not in series with motor

Code:
T1 & T2: Thermal protection
Cr: Run Capacitor
bk - black
bn - brown
wh - white
bu - blue
ye - yellow
vt - violet
gn/ye - green yellow

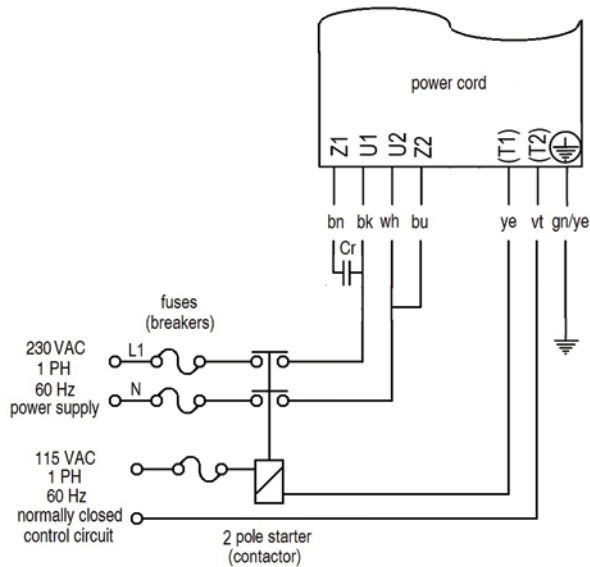
Low Voltage - Clockwise Rotation



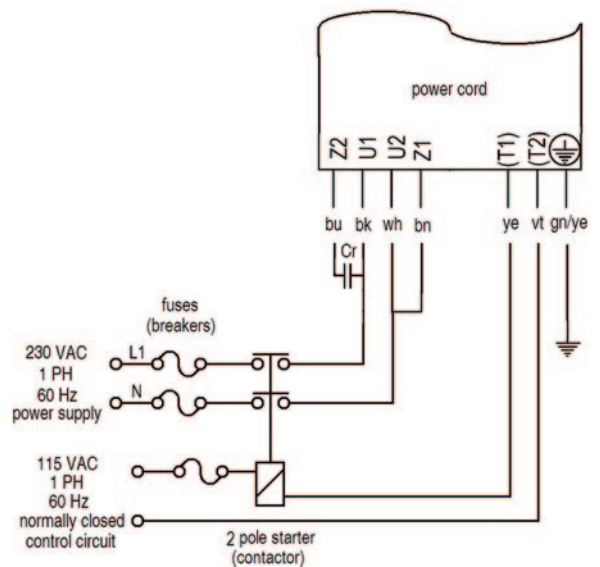
Low Voltage - Counterclockwise Rotation



High Voltage - Clockwise Rotation



High Voltage - Counterclockwise Rotation



NOTE:

The thermal switch in this single phase motor is not installed in series with motor winding. Therefore, the switch must be connected to a normally closed control circuit to deactivate motor.



80LP - 138LP Connection Diagrams

Power Cord (7 wire) - 1 Phase - Single Voltage
US Motor - Internal Thermal Protection Switch
in series with motor

Code:

Cr: Run Capacitor

bk - black

bn - brown

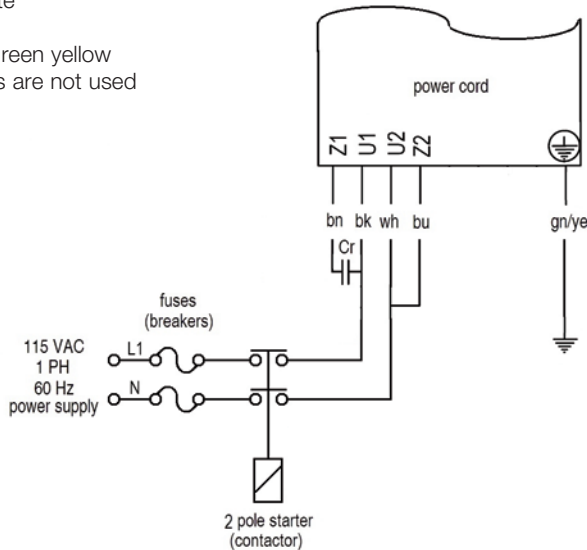
wh - white

bu - blue

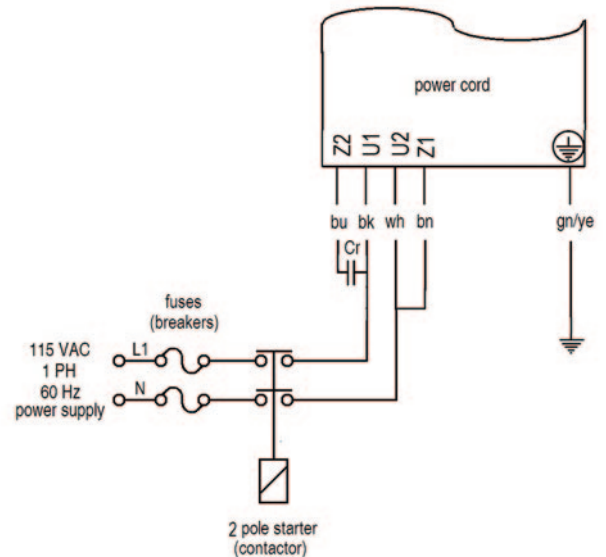
gn/ye - green yellow

two wires are not used

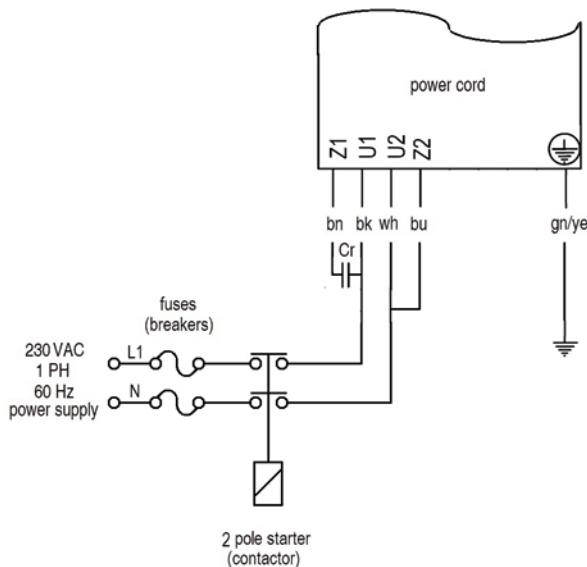
Low Voltage - Clockwise Rotation



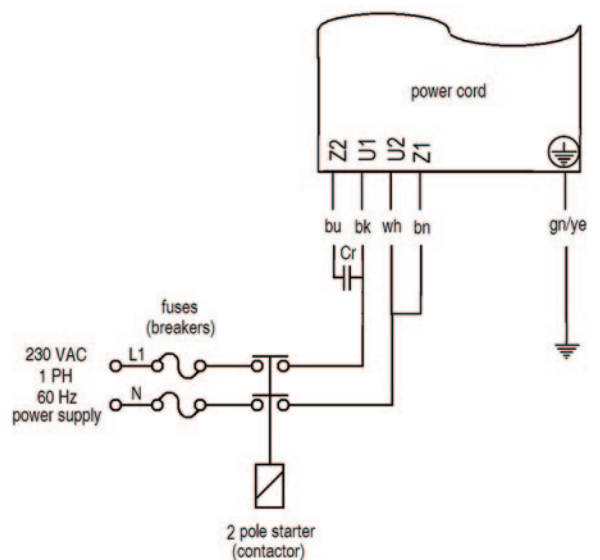
Low Voltage - Counterclockwise Rotation



High Voltage - Clockwise Rotation



High Voltage - Counterclockwise Rotation



NOTE:

The thermal switch in this single phase motor is installed in series with motor winding. Therefore, the switch can deactivate and re-energize motor automatically.



80LS - 165LS Connection Diagrams

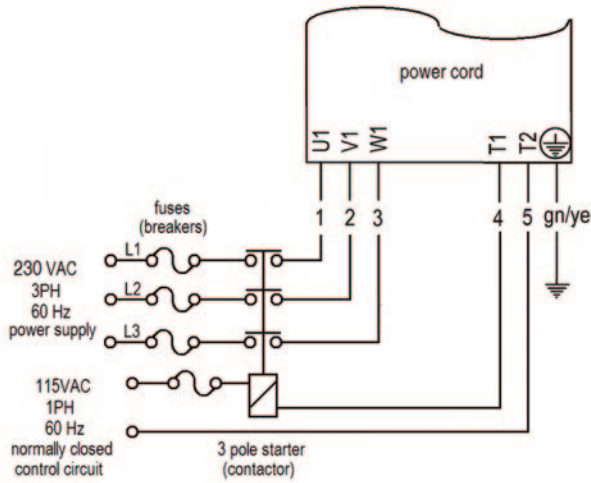
Power Cord (6 wire) - 3 Phase

Single Voltage - US Motor

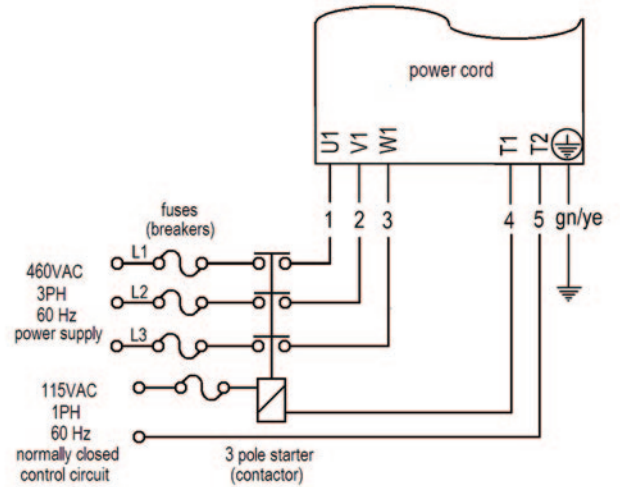
Code:

T1 & T2: Thermal protection

Low Voltage



High Voltage



80LS - 165LS Connection Diagrams

Power Cord (9 wire) - 3 Phase

Single Voltage - US Motor - Internal Brake Option

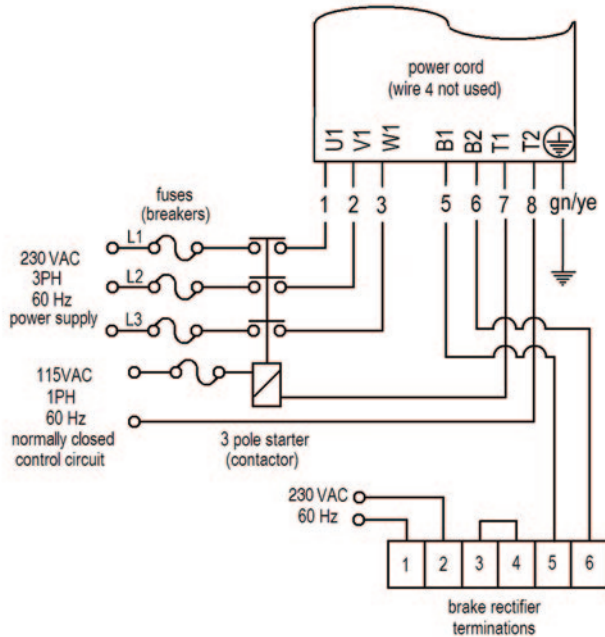


Code:

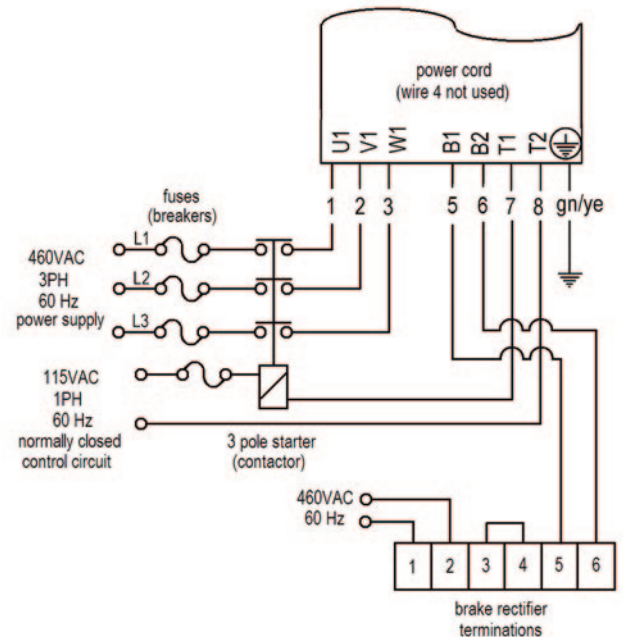
T1 & T2: Thermal protection

B1 & B2: Internal brake

Low Voltage with Brake Option



High Voltage with Brake Option





80LS - 165LS Connection Diagrams

Power Cord (9 wire) - 3 Phase

Dual Voltage - European Motor

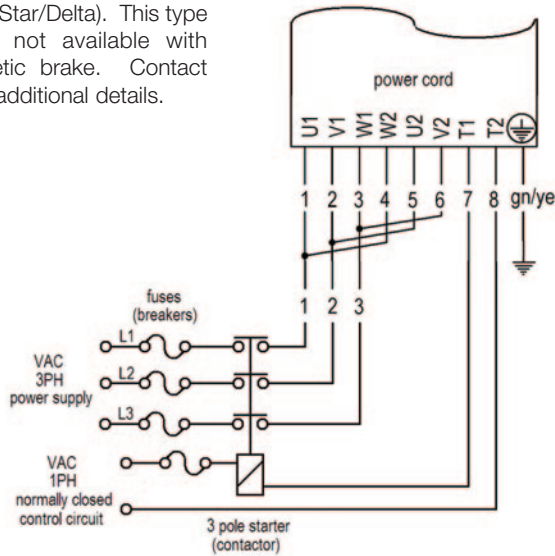
Code:

T1 & T2: Thermal protection

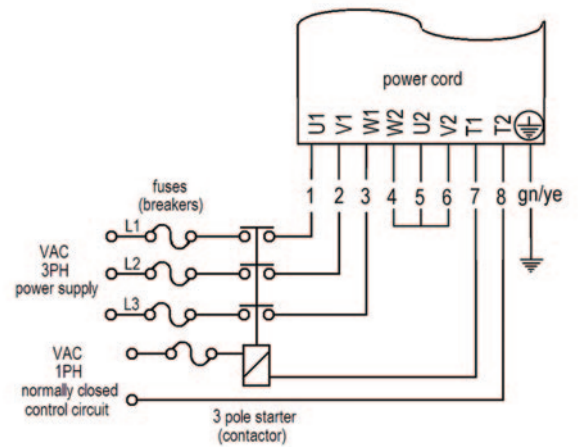
Note:

Motors shown on this page are dual voltage (Star/Delta). This type of motor is not available with electromagnetic brake. Contact Rulmecca for additional details.

Low Voltage



High Voltage





138LS Connection Diagrams

Power Cord (7 wire) - 1 Phase

Single Voltage - US Motor

Code:

T1 & T2: Thermal protection

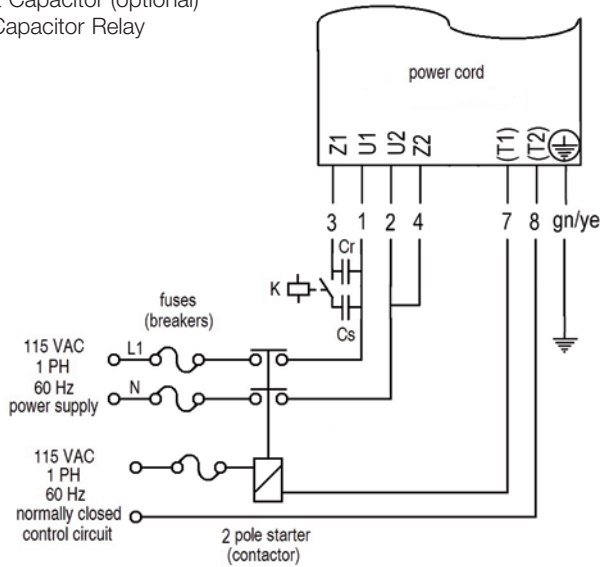
B1 & B2: Internal brake

Cr: Run Capacitor

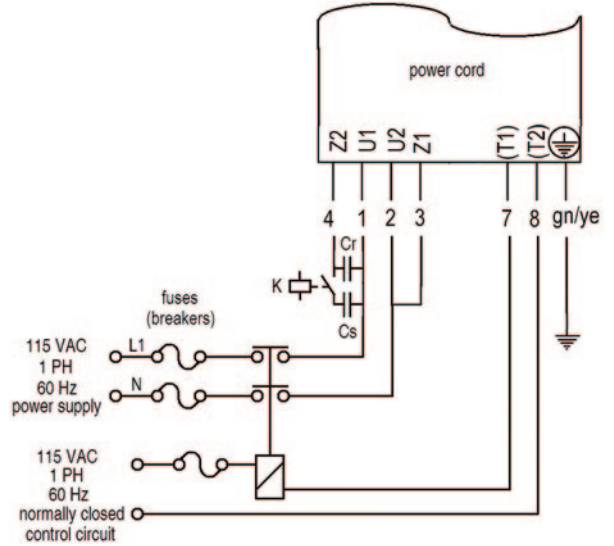
Cs: Start Capacitor (optional)

K: Start Capacitor Relay

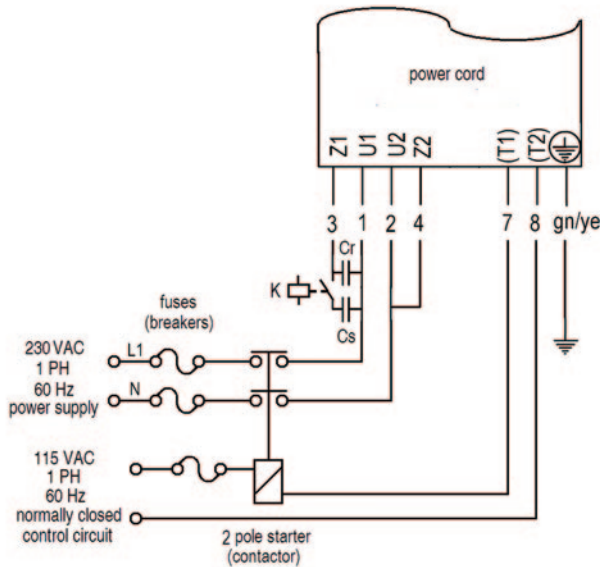
Low Voltage - Clockwise Rotation



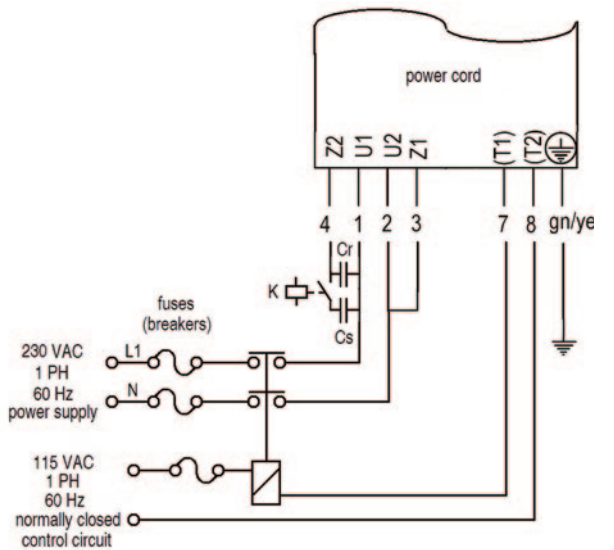
Low Voltage - Counterclockwise Rotation



High Voltage - Clockwise Rotation



High Voltage - Counterclockwise Rotation





113LS Connection Diagrams

Terminal Box - 3 Phase

Dual Voltage - European Motor

Code:

T1 & T2: Thermal protection

B1 & B2: internal brake

rd - red

bn - brown

bk - black

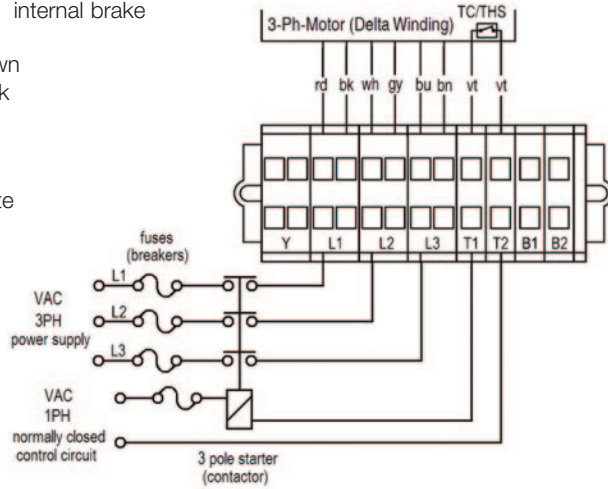
gy - gray

bu - blue

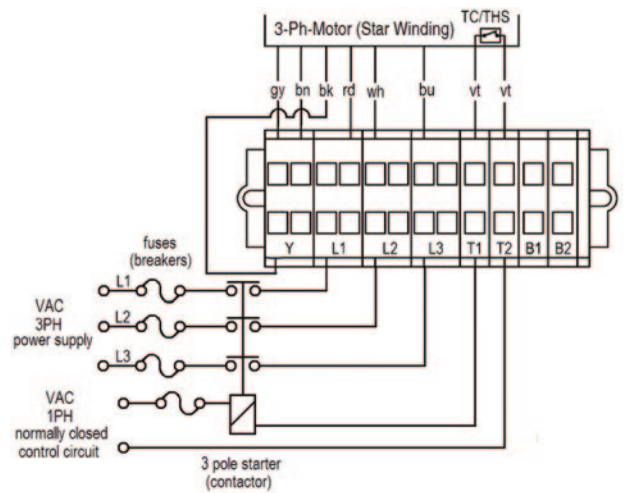
vt - violet

wh - white

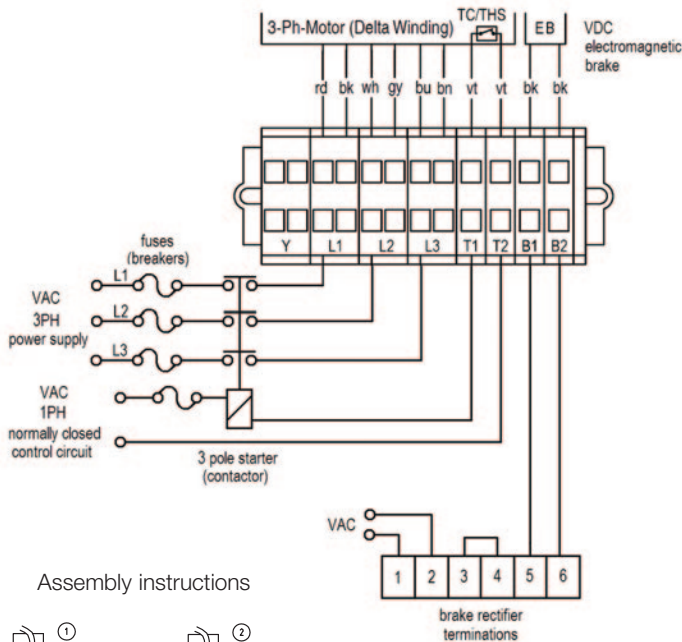
Low Voltage



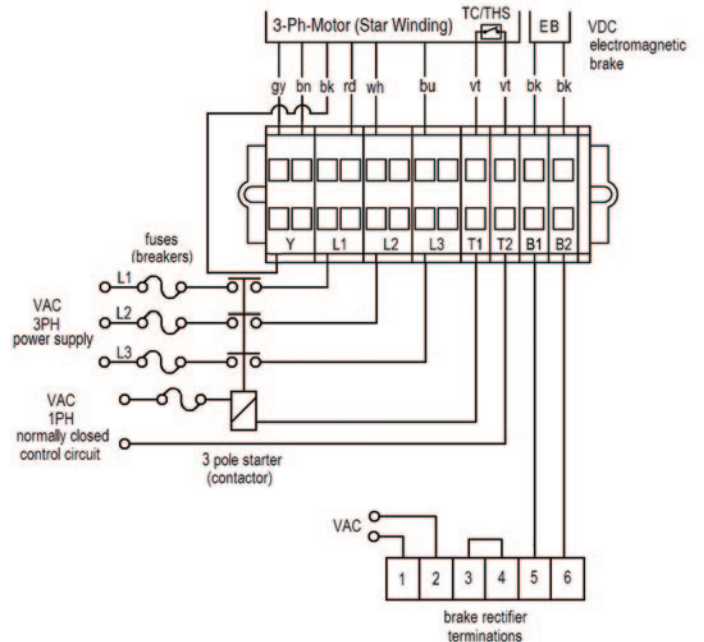
High Voltage



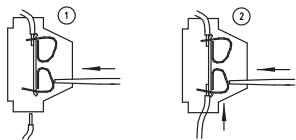
Low Voltage With Brake Option



High Voltage With Brake Option



Assembly instructions



Push down clamp

Push in wire

NOTE:

Brake rectifier is shown with jumper across terminals 3 & 4. This enables AC power supply to rectifier to stop and start brake. Brake responsiveness may be improved by connecting an external switch to terminals 3 & 4.



138LS Connection Diagrams

Terminal Box - 1 Phase

Single Voltage - US Motor

Code:

T1 & T2: Thermal protection

B1 & B2: Internal brake

Cr: Run Capacitor

Cs: Start Capacitor

K: Start Capacitor Relay

rd - red

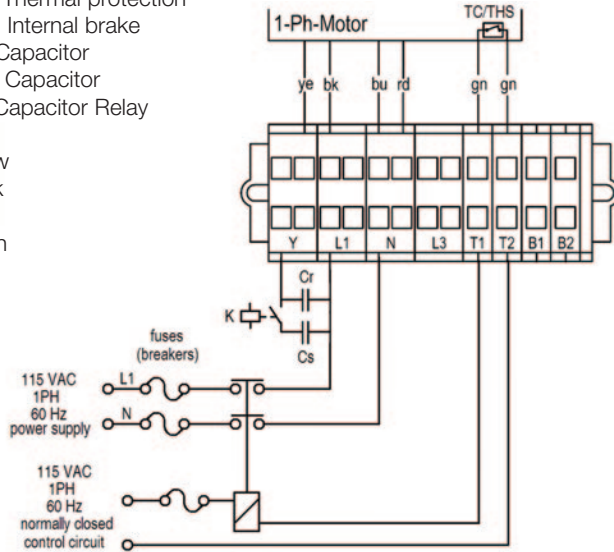
ye - yellow

bk - black

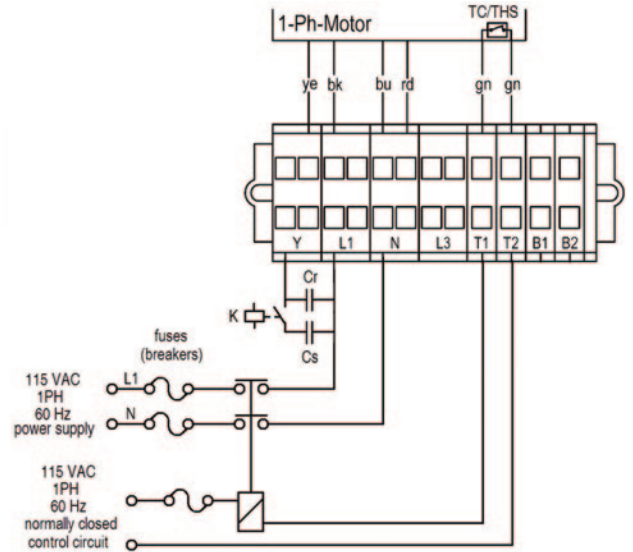
bu - blue

gn - green

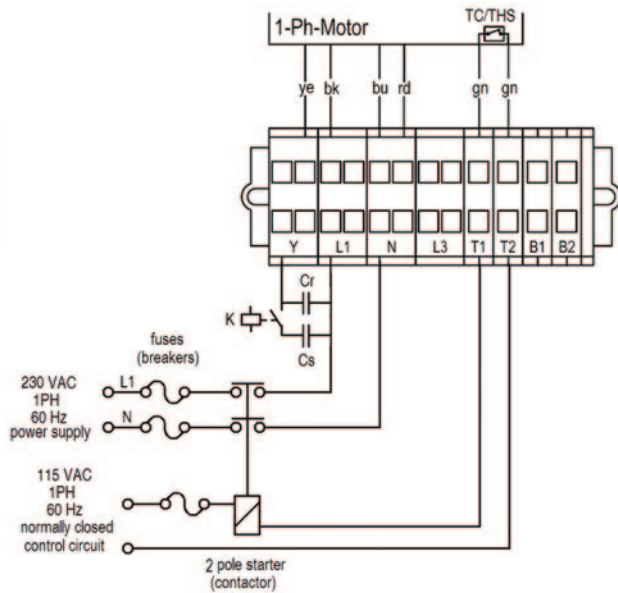
Low Voltage - Clockwise Rotation



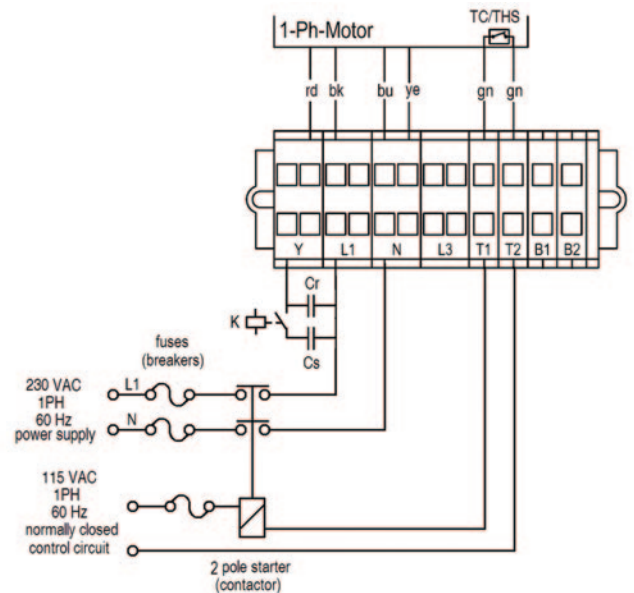
Low Voltage - Counterclockwise Rotation



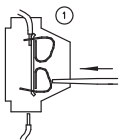
High Voltage - Clockwise Rotation



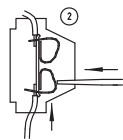
High Voltage - Counterclockwise Rotation



Assembly instructions



Push down clamp



Push in wire



113LS - 165LS Connection Diagrams

Terminal Box - 3 Phase - Single Voltage

US Motor - with & without Brake

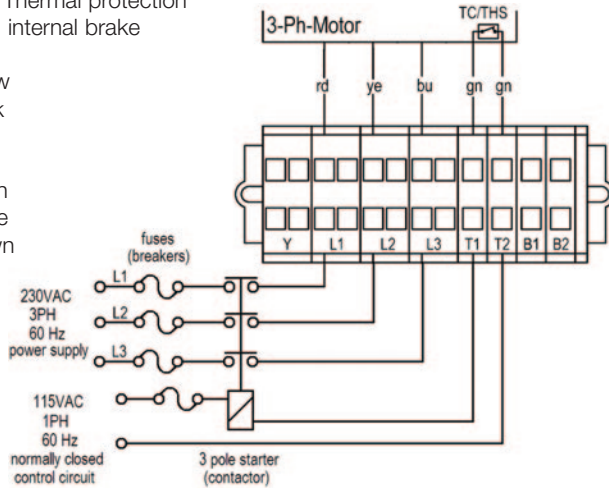
Code:

T1 & T2: Thermal protection

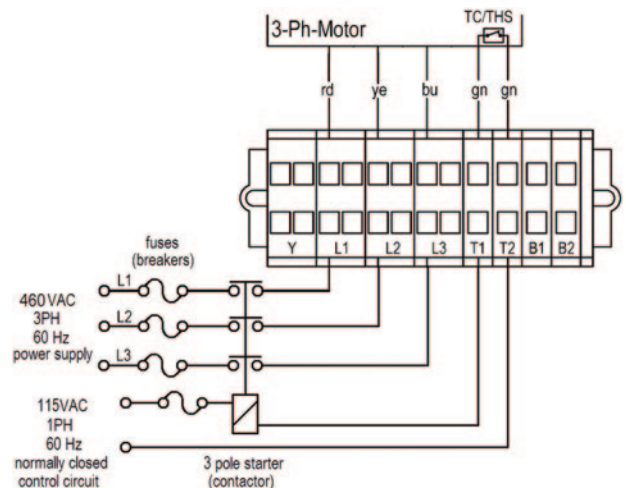
B1 & B2: internal brake

- rd - red
- ye - yellow
- bk - black
- gy - gray
- bu - blue
- gn - green
- wh - white
- bn - brown

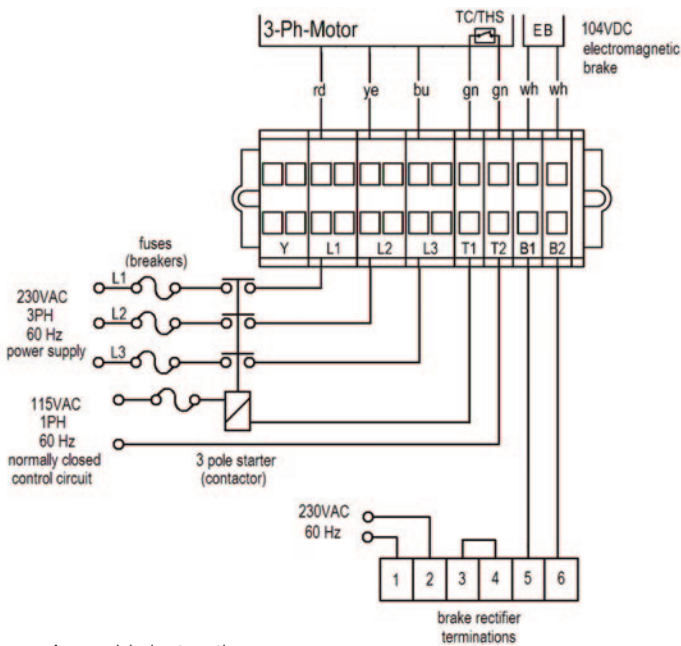
Low Voltage



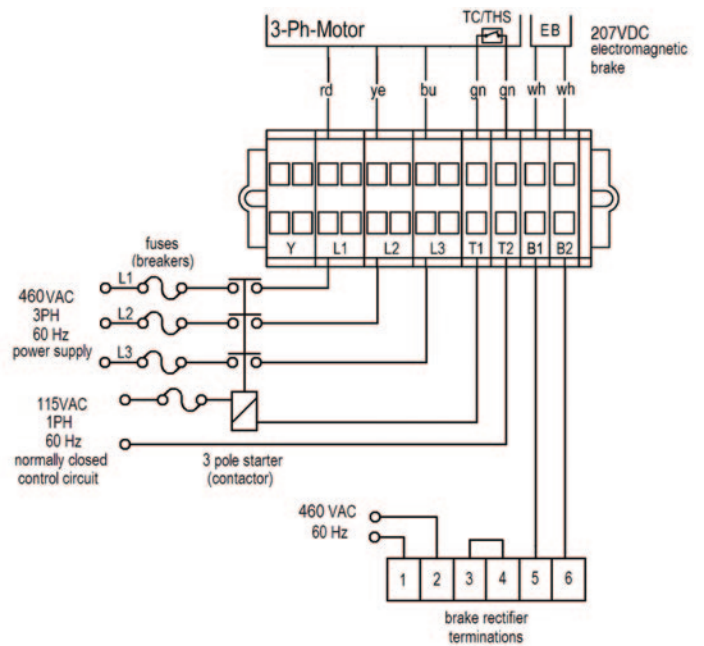
High Voltage



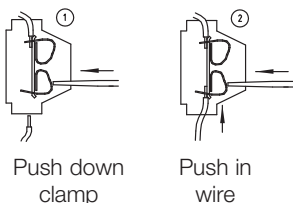
Low Voltage with Brake Option



High Voltage with Brake Option



Assembly instructions



NOTE:

Brake rectifier is shown with jumper across terminals 3 & 4. This enables AC power supply to rectifier to stop and start brake. Brake responsiveness may be improved by connecting an external switch to terminals 3 & 4.



113LS - 165LS Connection Diagrams

Terminal Box - 3 Phase - Dual Voltage

US Motor

Code:

TC/THS: Thermal protection

rd - red

ye - yellow

bk - black

gy - gray

bu - blue

gn - green

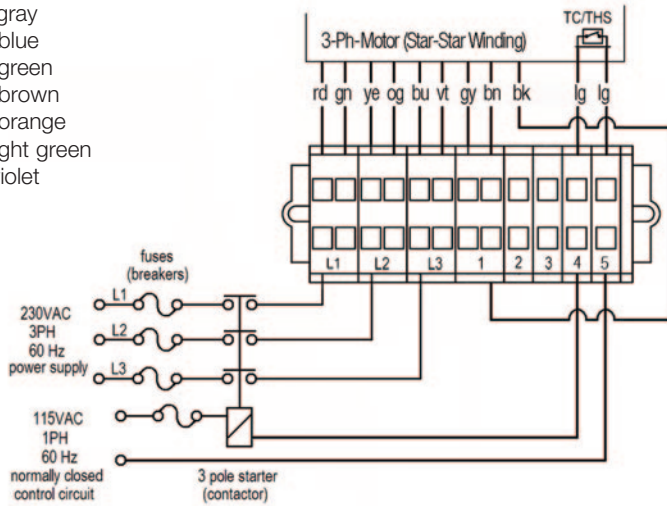
bn - brown

og - orange

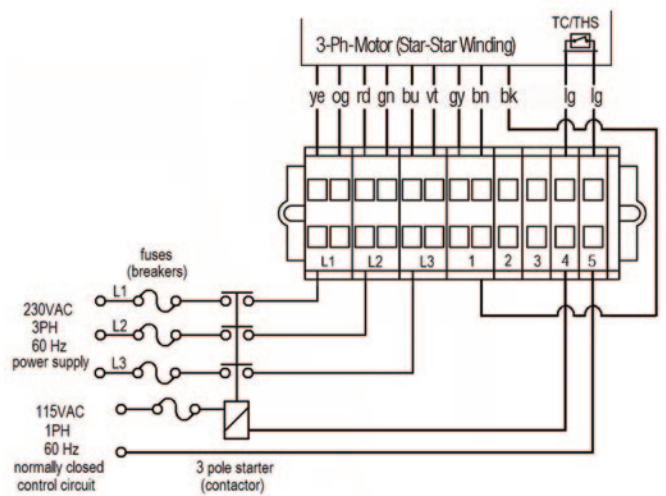
lg - light green

vt - violet

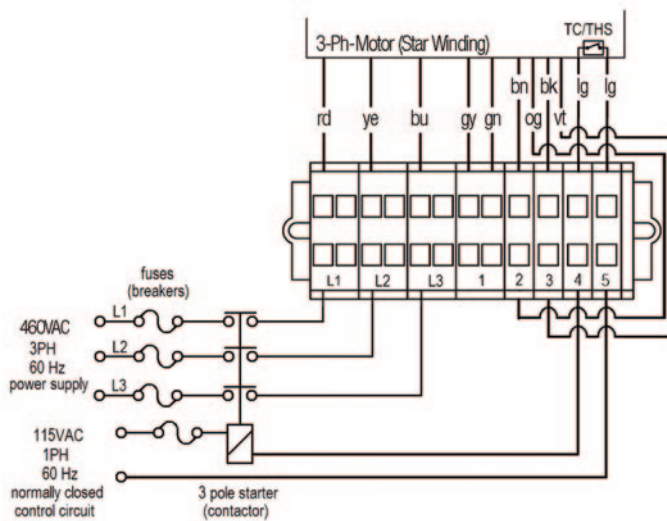
Low Voltage - Clockwise Rotation



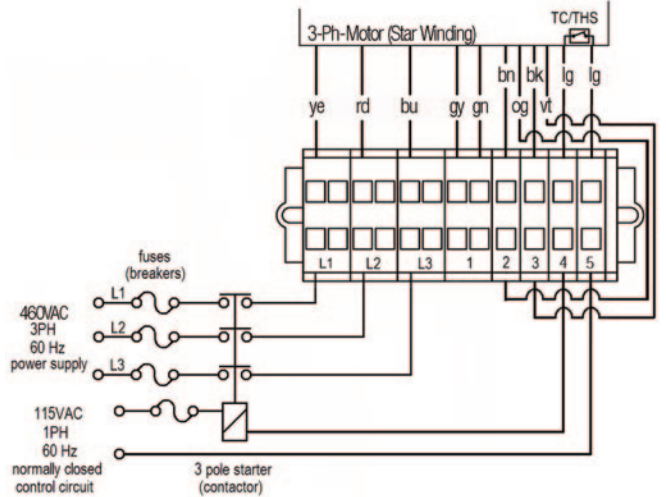
Low Voltage - Counterclockwise Rotation



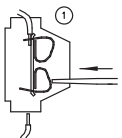
High Voltage - Clockwise Rotation



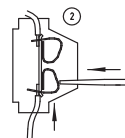
High Voltage - Counterclockwise Rotation



Assembly instructions



Push down clamp



Push in wire



138LS - 165LS Connection Diagrams

Terminal Box - 3 Phase

Dual Voltage - European Motor

Code:

T1 & T2: Thermal protection

B1 & B2: Internal brake

rd - red

ye - yellow

bk - black

gy - gray

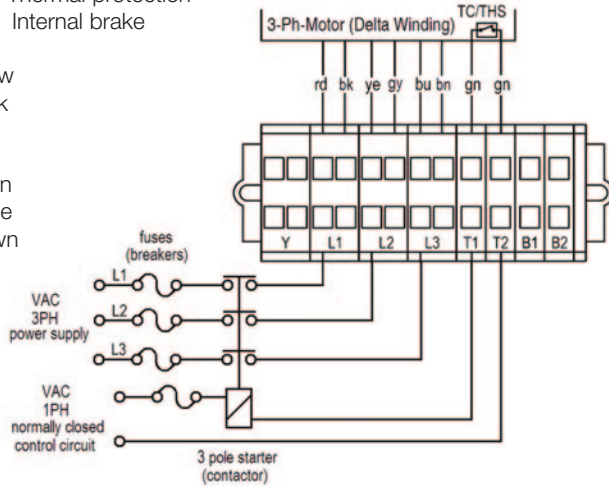
bu - blue

gn - green

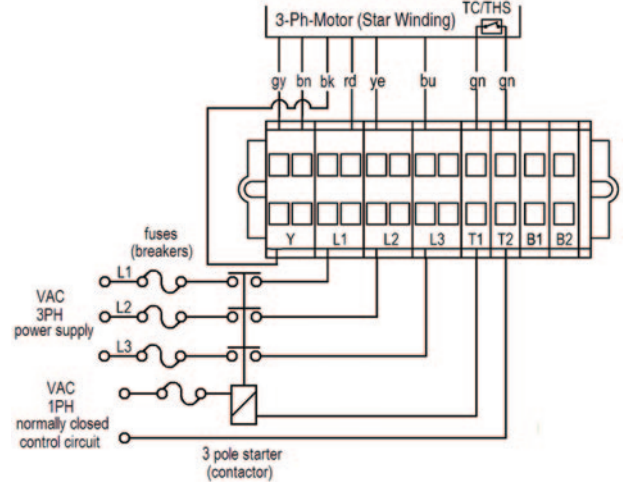
wh - white

bn - brown

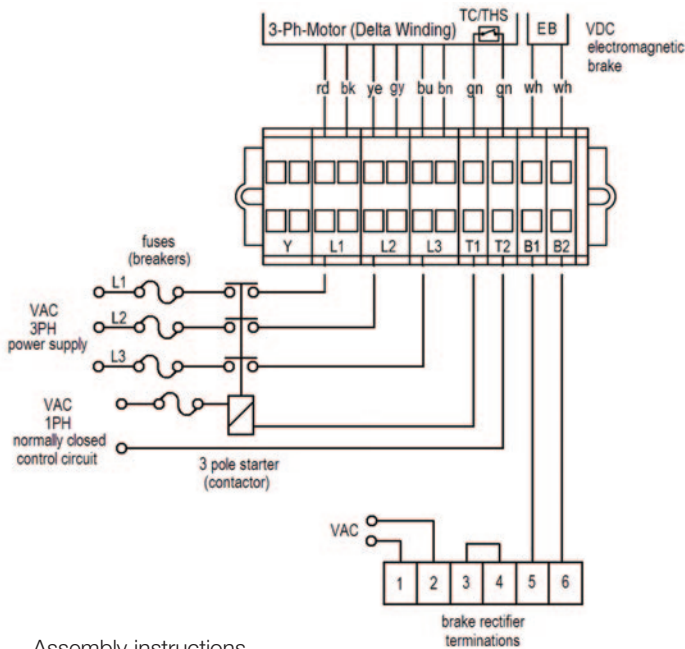
Low Voltage



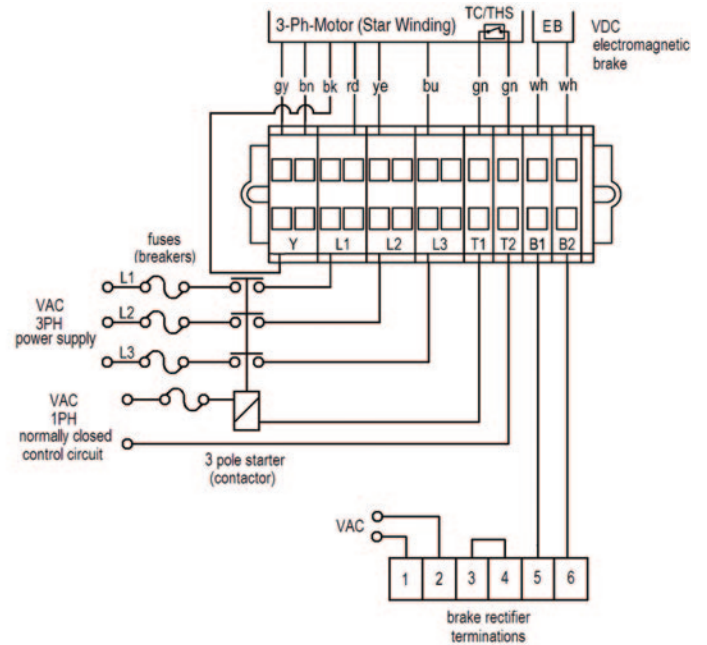
High Voltage



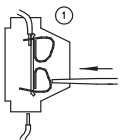
Low Voltage with Brake Option



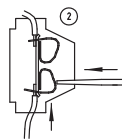
High Voltage with Brake Option



Assembly instructions



Push down clamp



Push in wire

NOTE:

Brake rectifier is shown with jumper across terminals 3 & 4. This enables AC power supply to rectifier to stop and start brake. Brake responsiveness may be improved by connecting an external switch to terminals 3 & 4.



Close to you!

**Global presence, local service,
local consulting, local assembly**

Rulmecca Motorized Pulley People are near you whenever you need us. We speak your language and understand your needs.

Rulmecca Corporation

3200 Corporate Drive, Ste. D
Wilmington, NC 28405
910-794-9294
sales-us@rulmecca.com
www.rulmecacorp.com

