



# 80LS - 165LS Connection Diagrams

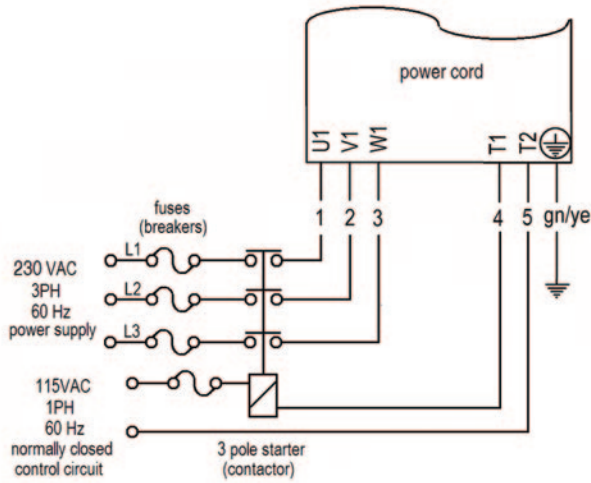
Power Cord (6 wire) - 3 Phase

Single Voltage - US Motor

Code:

T1 & T2: Thermal protection

### Low Voltage



### High Voltage

