

80LS - 165LS Connection Diagrams

Power Cord (9 wire) - 3 Phase

Single Voltage - US Motor - Internal Brake Option

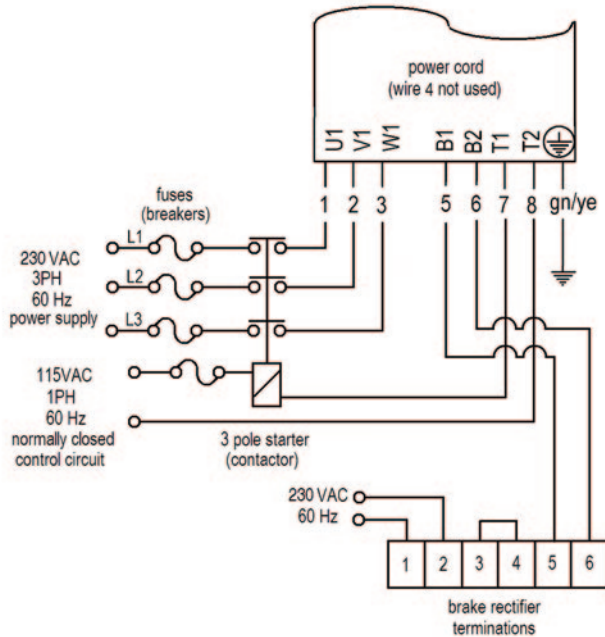


Code:

T1 & T2: Thermal protection

B1 & B2: Internal brake

Low Voltage with Brake Option



High Voltage with Brake Option

