



80LS - 165LS Connection Diagrams

Power Cord (9 wire) - 3 Phase

Dual Voltage - European Motor

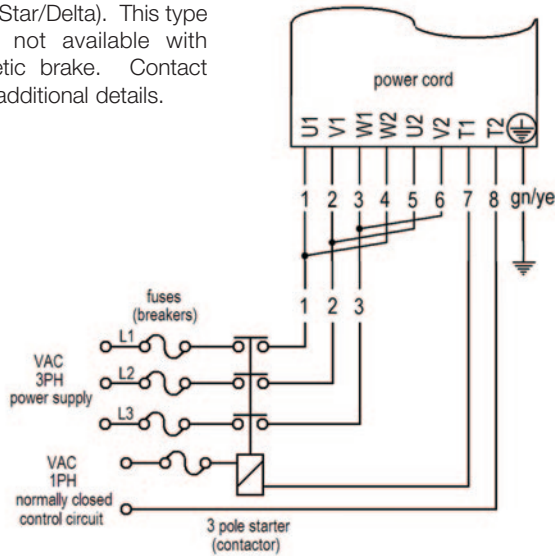
Code:

T1 & T2: Thermal protection

Note:

Motors shown on this page are dual voltage (Star/Delta). This type of motor is not available with electromagnetic brake. Contact Rulmecca for additional details.

Low Voltage



High Voltage

