



# 138LS Connection Diagrams

Power Cord (7 wire) - 1 Phase

Single Voltage - US Motor

Code:

T1 & T2: Thermal protection

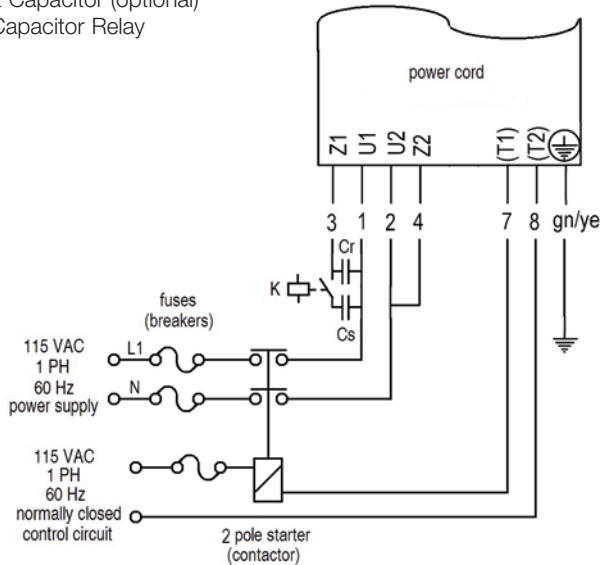
B1 & B2: Internal brake

Cr: Run Capacitor

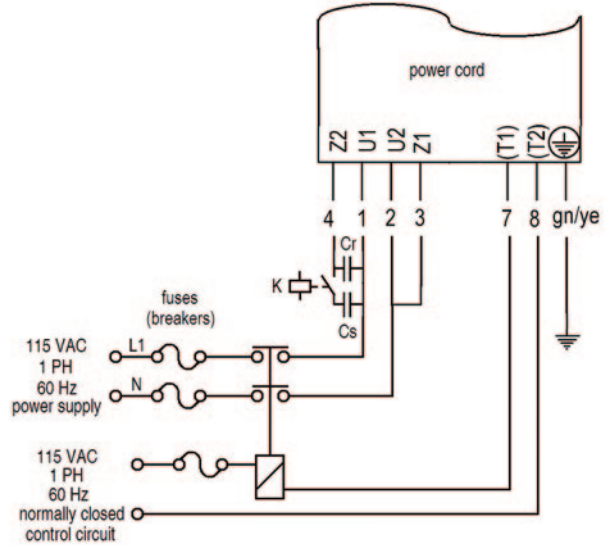
Cs: Start Capacitor (optional)

K: Start Capacitor Relay

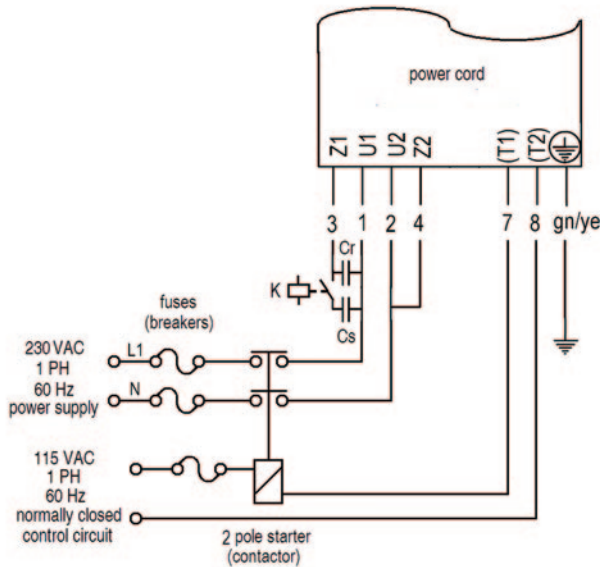
### Low Voltage - Clockwise Rotation



### Low Voltage - Counterclockwise Rotation



### High Voltage - Clockwise Rotation



### High Voltage - Counterclockwise Rotation

