



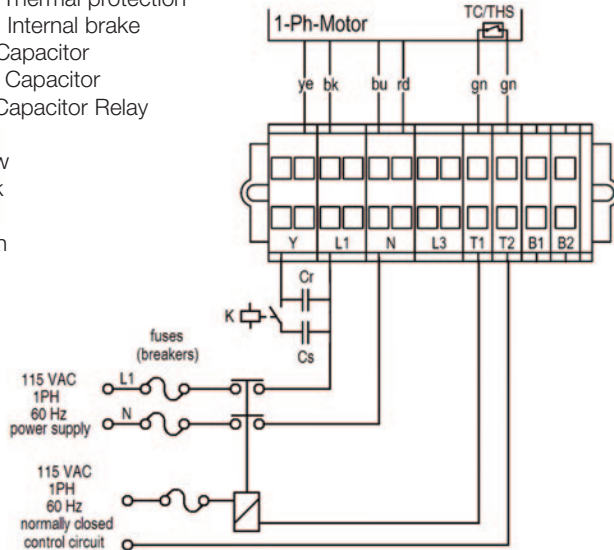
# 138LS Connection Diagrams

Terminal Box - 1 Phase  
Single Voltage - US Motor

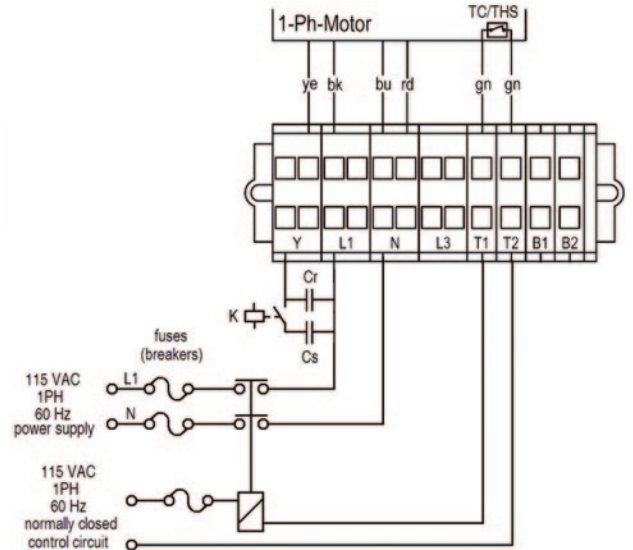
Code:

- T1 & T2: Thermal protection
- B1 & B2: Internal brake
- Cr: Run Capacitor
- Cs: Start Capacitor
- K: Start Capacitor Relay
- rd - red
- ye - yellow
- bk - black
- bu - blue
- gn - green

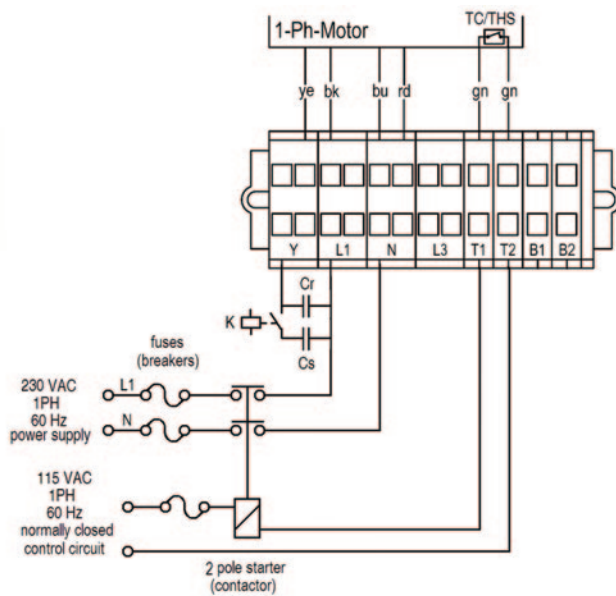
**Low Voltage - Clockwise Rotation**



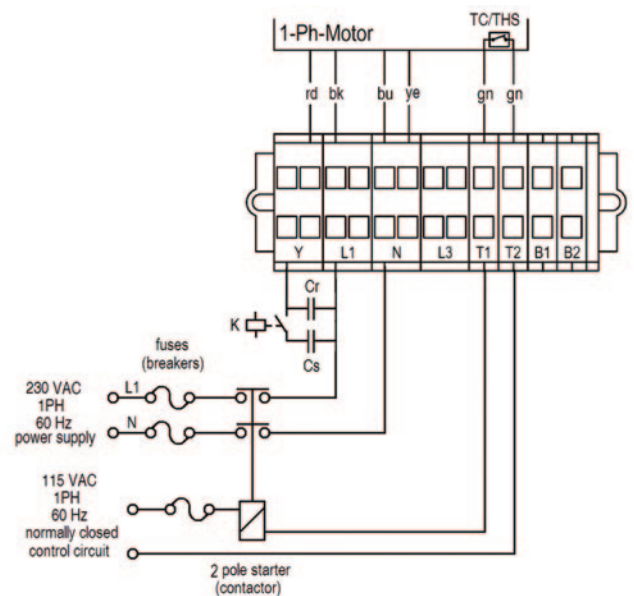
**Low Voltage - Counterclockwise Rotation**



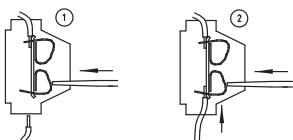
**High Voltage - Clockwise Rotation**



**High Voltage - Counterclockwise Rotation**



Assembly instructions



Push down  
clamp

Push in  
wire