



113LS - 165LS Connection Diagrams

Terminal Box - 3 Phase - Dual Voltage

US Motor

Code:

TC/THS: Thermal protection

rd - red

ye - yellow

bk - black

gy - gray

bu - blue

gn - green

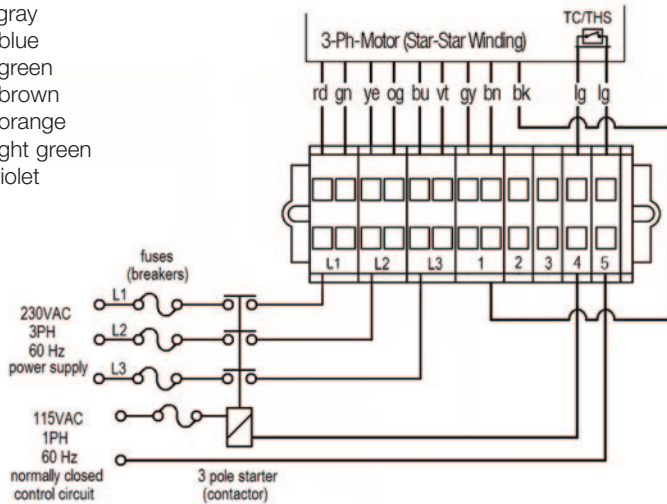
bn - brown

og - orange

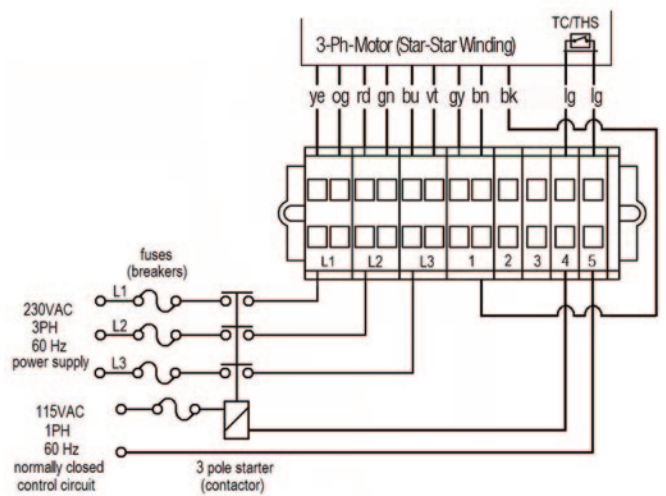
lg - light green

vt - violet

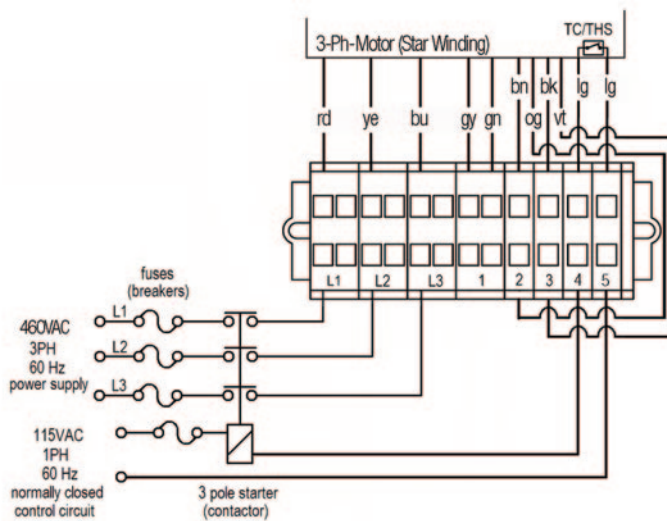
Low Voltage - Clockwise Rotation



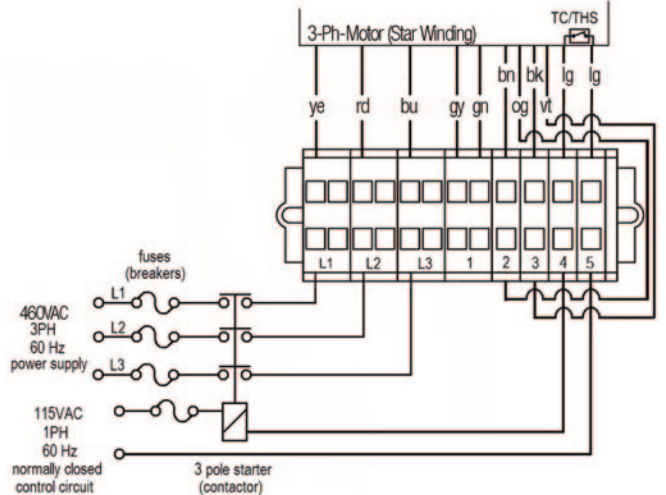
Low Voltage - Counterclockwise Rotation



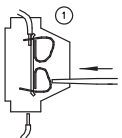
High Voltage - Clockwise Rotation



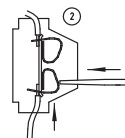
High Voltage - Counterclockwise Rotation



Assembly instructions



Push down
clamp



Push in
wire