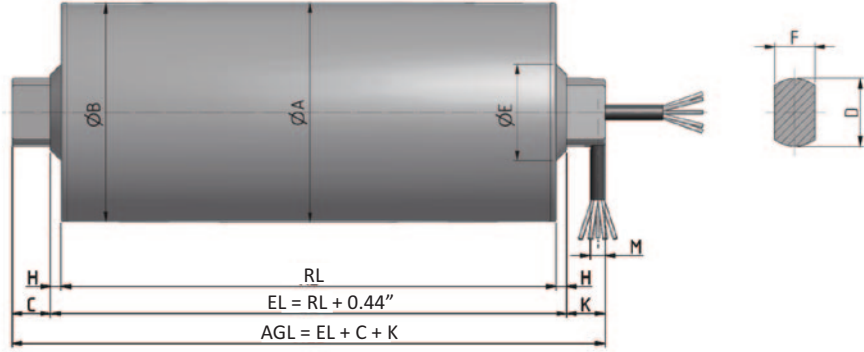


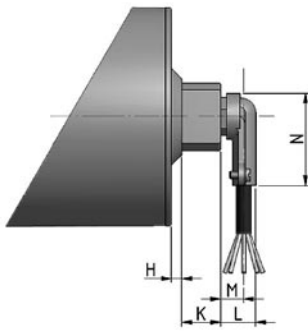


# Motorized Pulley 113LP

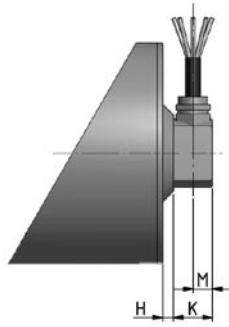
Ø 4.47 in. (113 mm), planetary gearbox in polymer or polymer / steel combination



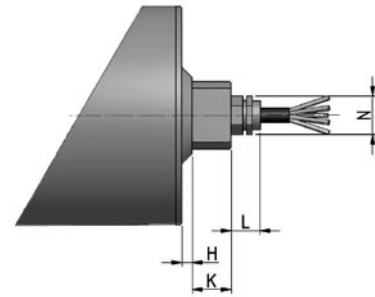
Motorized Pulley Standard Version.



Elbow connector in aluminum.



Cable connection 90°.



Straight connector.

Type/Option	A in	B in	C in	D in	E in	F in	G in	H in	K in	L in	M in	N in	Q in	T in
<b>Motorized Pulley Standard Version</b>	4.47	4.43	0.79	1.38	1.97	0.83		0.22	0.79		0.31			
<b>Elbow Connector in aluminum</b>									0.79	0.71	0.47	1.89		
<b>Cable Connector 90°</b>									0.79		0.39			
<b>Straight Connector</b>									0.79	0.59		0.79		

<b>Std. RL shell lengths (in)</b>	11.81	13.78	15.75	17.72	19.69	21.65	23.62	25.60	27.56	29.53	31.50	+ 1.97 up to 47.24		
<b>Average weight (lbs)</b>	15.0	15.5	16.5	17.5	18.0	19.0	19.5	20.5	21.5	24.0	25.0	+ 1.0 up to 33.0		

- Min lengths: see table at page 8.
- Max length: 47.72in
- Weights are approximate due to different shell executions and motor powers