



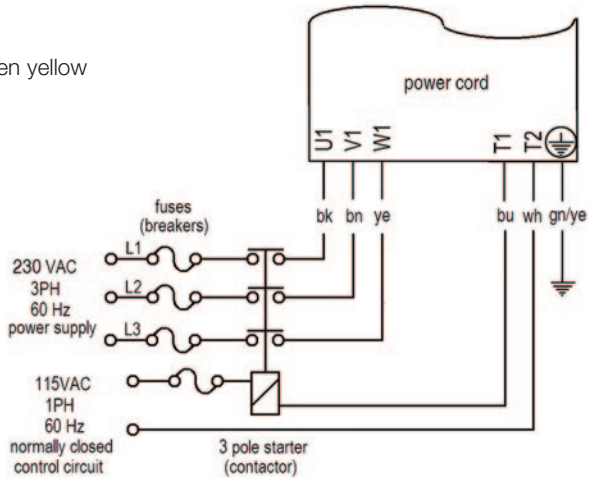
80LP-138LP Connection Diagrams

Power Cord (6 wire) - 3 Phase
Single Voltage - US Motor

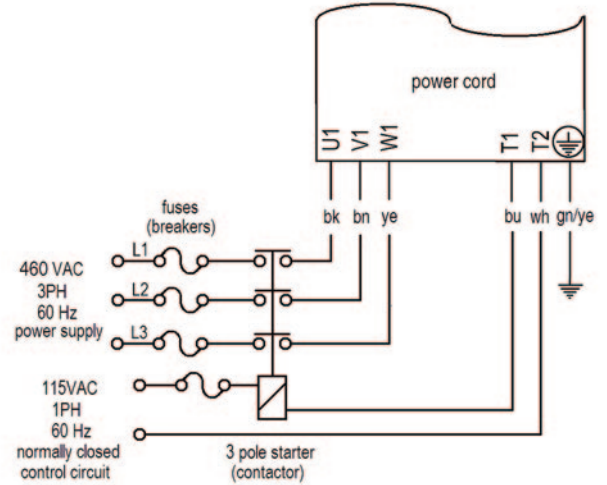
Code:

- T1 & T2: Thermal protection
- bn - brown
- bk - black
- ye - yellow
- bu - blue
- wh - white
- gn/ye - green yellow

Low Voltage



High Voltage



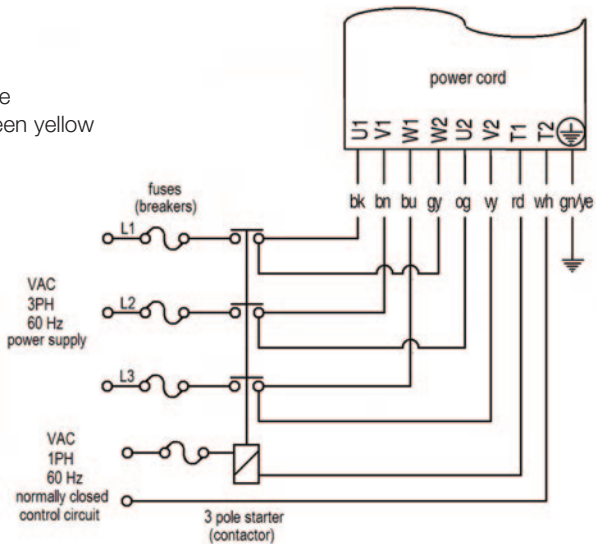
80LP-138LP Connection Diagrams

Power Cord (9 wire) - 3 Phase
Dual Voltage - European Motor

Code:

- T1 & T2: Thermal protection
- bn - brown
- vy - violet
- bk - black
- rd - red
- ye - yellow
- bu - blue
- wh - white
- gy - gray
- og - orange
- gn/ye - green yellow

Low Voltage



High Voltage

