

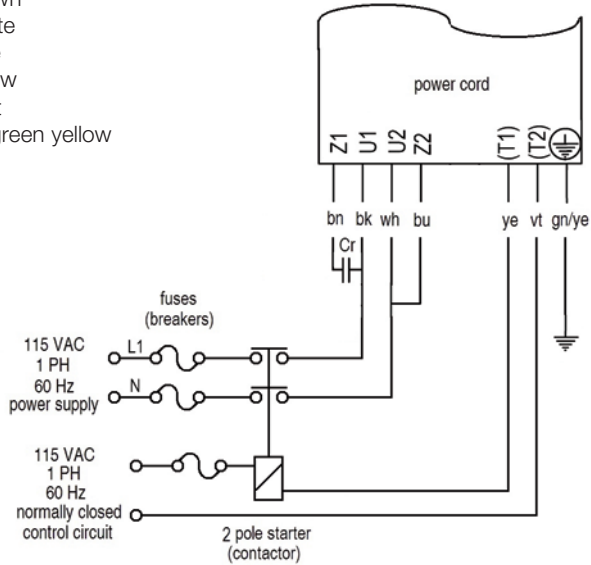


80LP-138LP Connection Diagrams

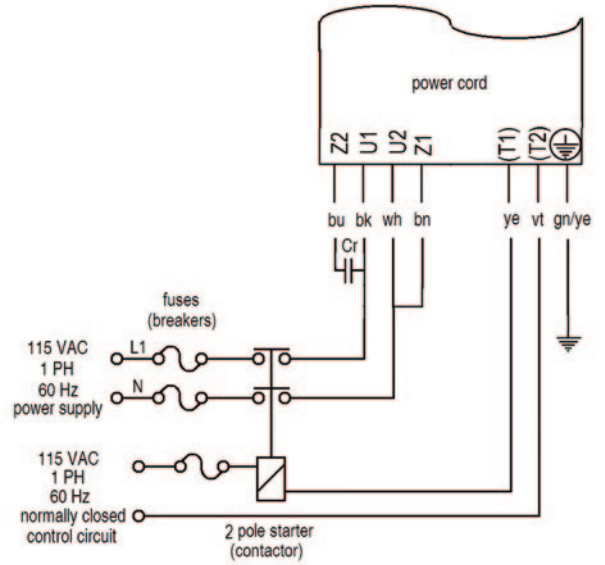
Power Cord (7 wire) - 1 Phase - Single Voltage - US Motor
Internal Thermal Protection Switch not in series with motor

Code:
T1 & T2: Thermal protection
Cr: Run Capacitor
bk - black
bn - brown
wh - white
bu - blue
ye - yellow
vt - violet
gn/ye - green yellow

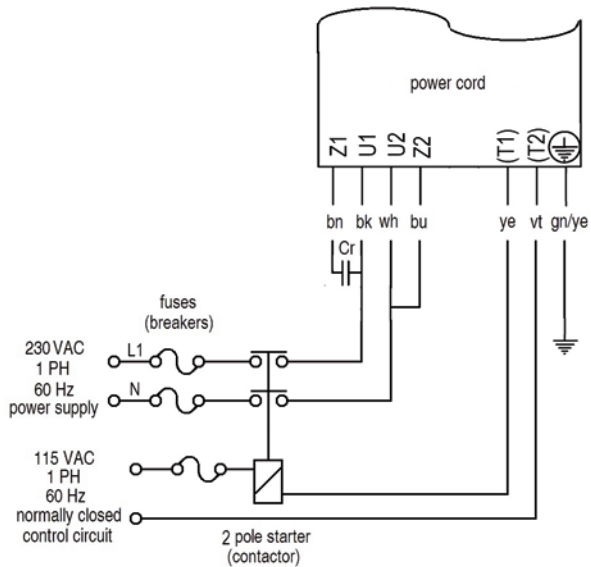
Low Voltage - Clockwise Rotation



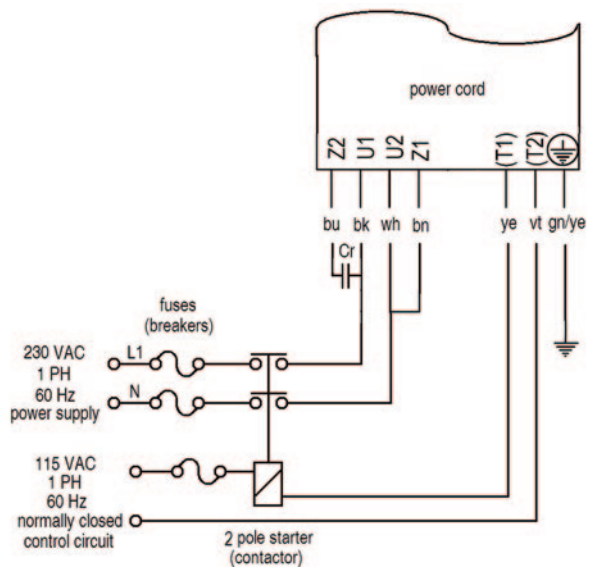
Low Voltage - Counterclockwise Rotation



High Voltage - Clockwise Rotation



High Voltage - Counterclockwise Rotation



NOTE:

The thermal switch in this single phase motor is not installed in series with motor winding. Therefore, the switch must be connected to a normally closed control circuit to deactivate motor.