

Motorized Pulley 80LS

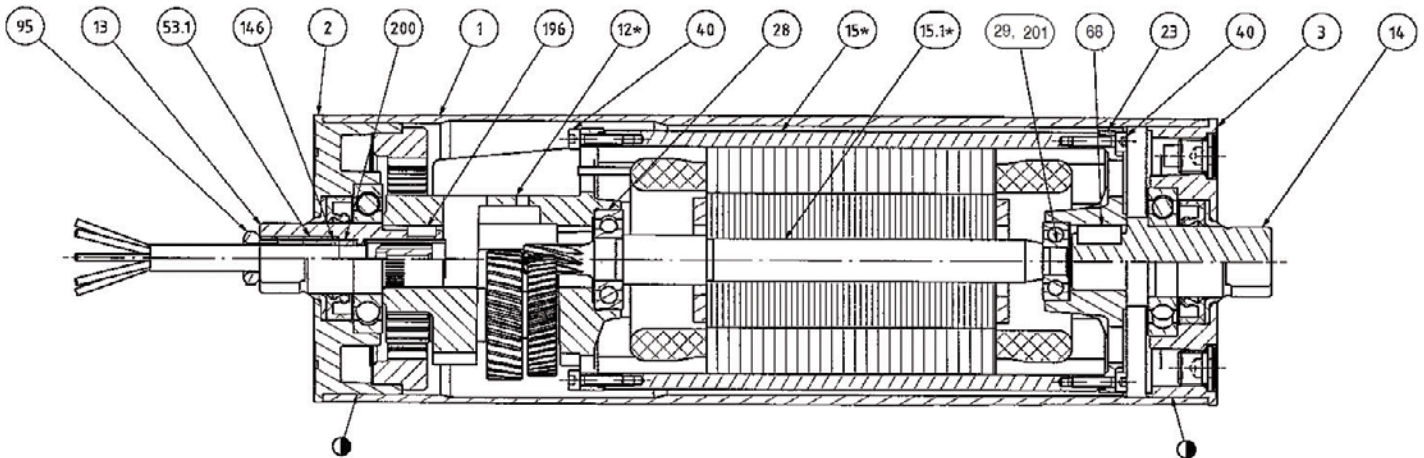
Ø 3.21 in. (80 mm), helical steel gearbox



Spare Parts List and Sectional Drawings

1	Pulley shell	15.1*	Rotor assembly	95	Straight connector
2	Bearing housing	23	Rear flange	146	Washer
3	Bearing housing	28	Ball bearing	196	Key
12*	Gearbox (3 stage shown)	29	Ball bearing	200	Rubber seal
13	Front shaft	40	Hexagon socket screw	201	Encoder (if applicable)
14	Rear shaft	53.1	Pressure nipple		
15*	Stator	68	Key		

80LS Standard: 3 stage gearbox with power cord



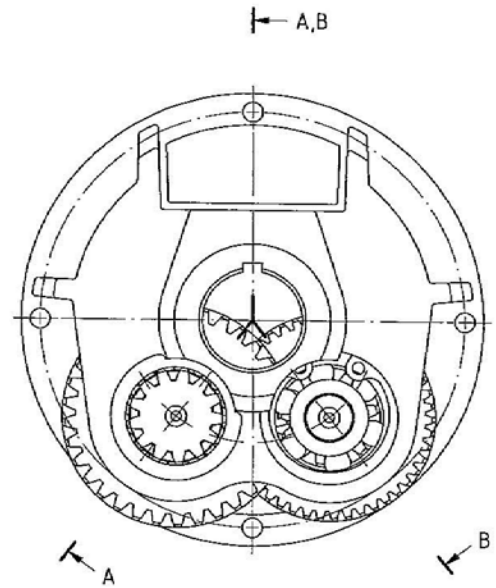
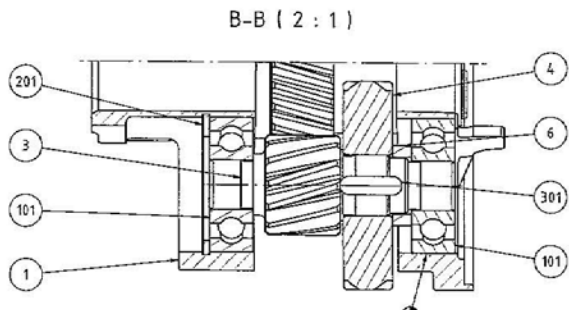
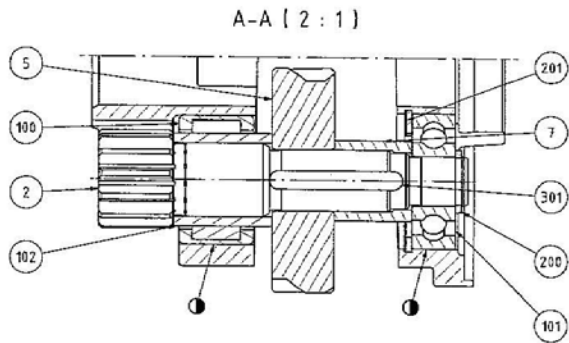
* Variable parts for other speeds and powers

Motorized Pulley 80LS

Ø 3.21 in. (80 mm), helical steel gearbox

Spare Parts List and Sectional Drawings for Gearbox

1	Gear housing	6	Distance nipple	200	Retaining ring
2	Output pinion shaft	7	Distance nipple	201	Retaining ring
3	Intermediate pinion shaft	100	Needle bearing	300	Key
4	Input wheel	101	Ball bearing	301	Key
5	Intermediate wheel	102	Inner ring		



Motorized Pulley 80LS

Ø 3.21 in. (80 mm), helical steel gearbox

Spare Parts List and Sectional Drawing for End Housing

- 1 End housing
- 2 Deflection seal
- 3 Oil plug
- 4 Oil plug with magnet
- 100 Ball bearing
- 200 Shaft seal

