



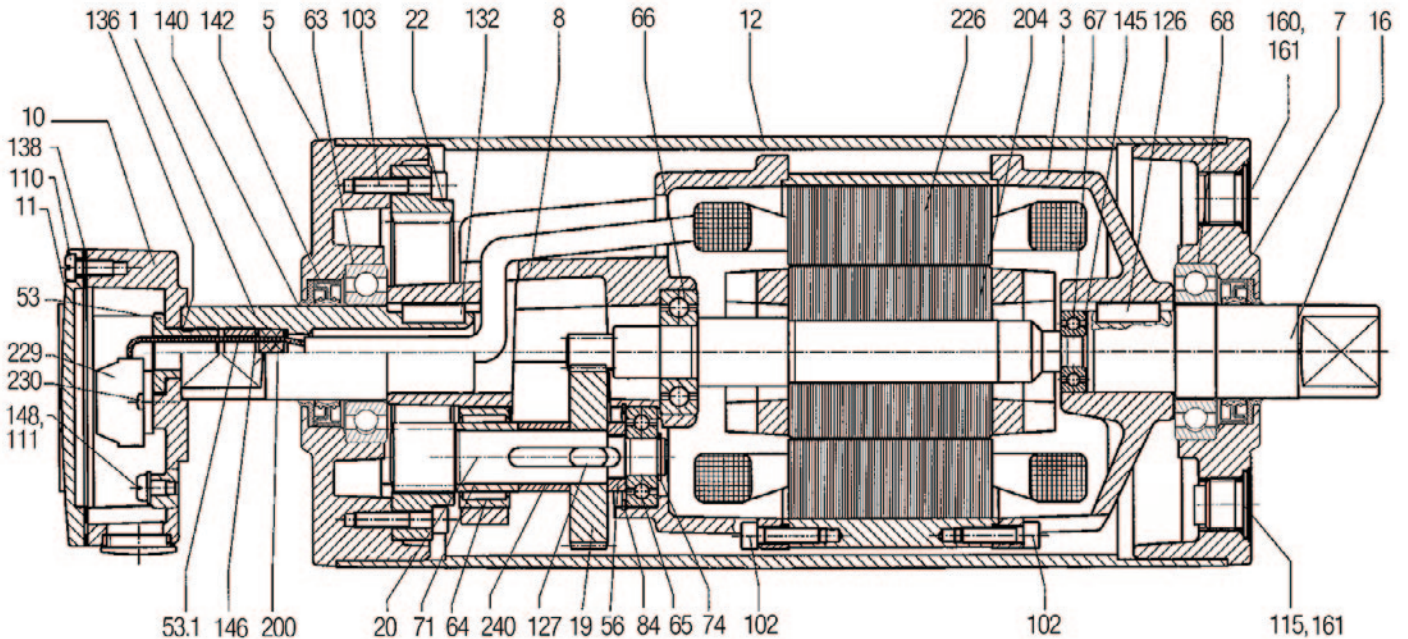
Motorized Pulley 138LS

Ø 5.45 in. (138 mm), helical steel gearbox

Spare Parts List and Sectional Drawings

1	Front shaft	53	Terminal box nipple	111	Screw
3	Rear flange	53.1	Cable seal nipple	113	Screw
5	Bearing housing complete with geared rim	55	Spacer bushing	114	Socket set screw
7	Bearing housing complete	56	Spacer bushing	115	Oil plug with magnet
8	Gearbox	63	Ball bearing	126	Key
10	Terminal box - bottom part	64	Needle bearing	127	Key
11	Terminal box cover	65-70	Ball bearing	132	Key
12	Shell	71	Inner race	136	O-ring/Rubber seal
16	Rear shaft	73	Locking ring	138	Rubber seal
19	Input wheel	74	Locking ring	140	Deflection seal
20	Output pinion	84	Locking ring	142	Double lip seal
22	Geared rim	86	Locking ring	143	O-ring
23	Intermediate pinion shaft	93	Elbow or straight connector	145	Distance washer
24	Intermediate wheel	102	Screw	146	Washer
31	Labyrinth seal cover	103	Screw	148	Washer
		110	Screw	150	Electromagnetic brake

138LS Standard: 2 stage gearbox with terminal box



Motorized Pulley 138LS

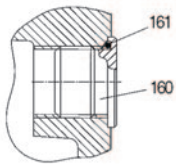
Ø 5.45 in. (138 mm), helical steel gearbox



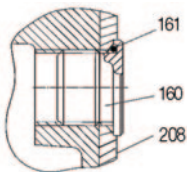
Spare Parts List and Sectional Drawings (cont.)

150.1	Friction disc	200	Rubber seal	223	Cable
156	Rectifier (not shown)	201	Encoder (if applicable)	226	Stator complete
160	Oil plug	204	Rotor complete with pinion	229	WAGO clamp terminals
161	O-ring	208	Stainless steel cover	230	Fixing bolts
167	Screw	210	Fixing guard	240	Distance ring

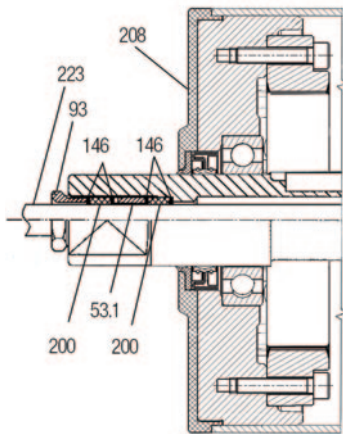
Standard oil plug



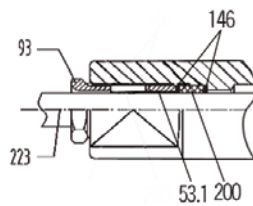
Stainless steel option oil plug



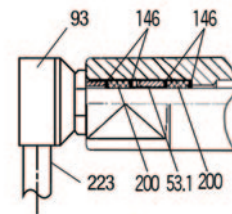
Stainless steel option with straight cable



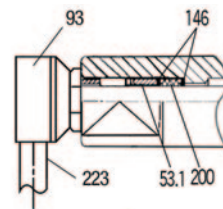
Standard straight cable connection



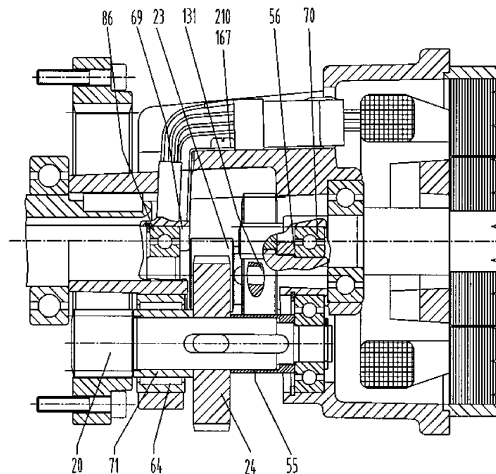
Elbow cable connection for stainless steel option



Standard elbow cable connection



3-stage gearbox



Electromagnetic brake

