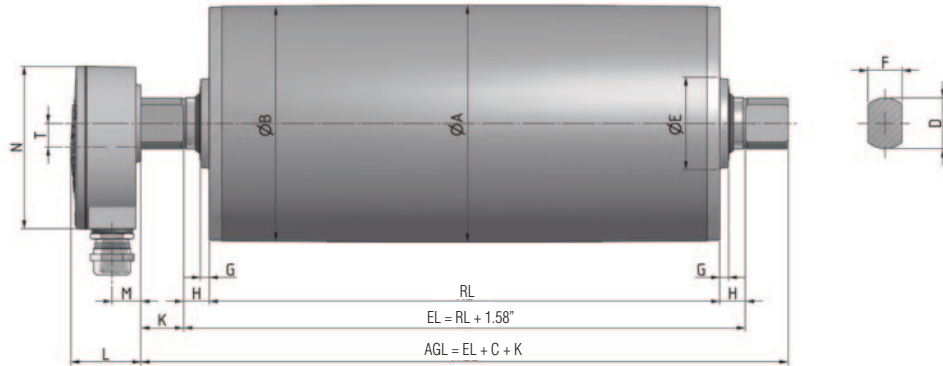


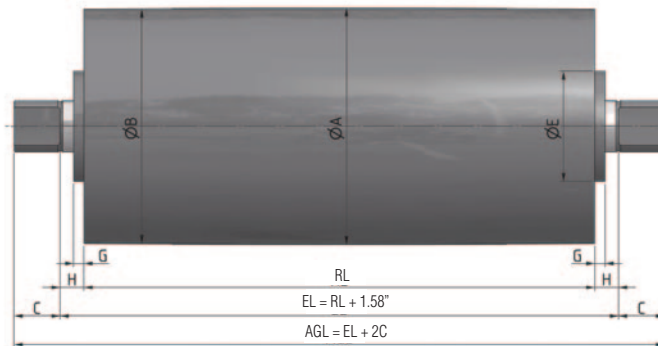


Motorized Pulley 165LS

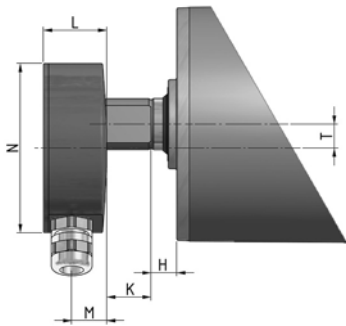
Ø 6.50 in. (165 mm), helical steel gearbox



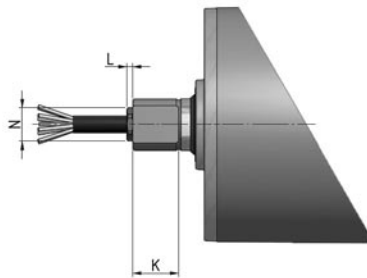
Standard Motorized Pulley with aluminum terminal box



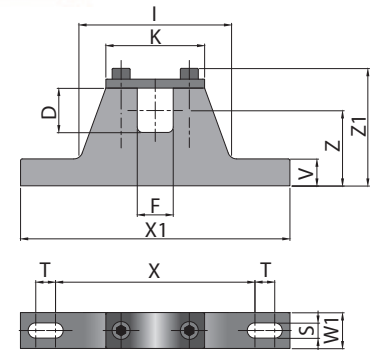
Idler Pulley in stainless steel



Terminal box in stainless steel.

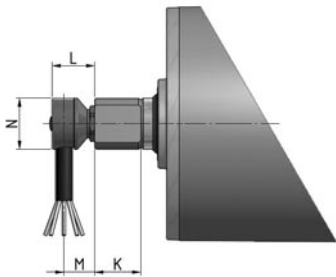


Straight connector in stainless steel.

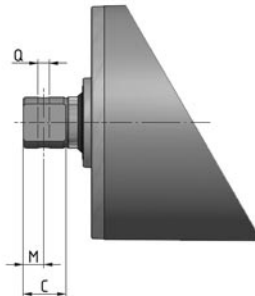


MC = Mounting bracket center-to-center spacing = $RL + 3.15''$

Mounting bracket



Elbow connector in stainless steel.



Shaft, cross-drilled and threaded.

Motorized Pulley 165LS

Ø 6.50 in. (165 mm), helical steel gearbox



| Dimensions for Motorized Pulley 165LS | | | | | | | | | | | | |
|---|---------|---------|---------|---------|---------|---------|---------|---------|---------|---------|---------|---------|
| Type/Option | A in | B in | C in | D in | E in | F in | G in | H in | K in | L in | M in | N in |
| Standard version with aluminum terminal box | 6.50 | 6.44 | 1.77 | 1.57 | 3.15 | 1.18 | 0.39 | 0.79 | 1.77 | 1.61 | 0.67 | 3.74 |
| Terminal box in stainless steel | | | | | | | | | 1.77 | 1.46 | 0.81 | 3.90 |
| Idler pulley in stainless steel | | | | | 2.54 | | 0.31 | | 1.77 | | | |
| Straight connector in stainless steel | | | | | | | | | 1.85 | 0.16 | | 1.06 |
| Elbow connector in stainless steel | | | | | | | | | 1.85 | 0.98 | 0.71 | 1.18 |
| Cross-drilled and threaded shaft | | | | | | | | | 1.85 | | 0.93 | |

Revised Dimensions for options

The following options increase the minimum roller length (RL)

| Option | Optional RL min. |
|-----------------------|--------------------------|
| Electromagnetic brake | Standard RL min + 1.97in |
| Encoder - SKF | Standard RL min + 0 in |
| Encoder - RLS | Standard RL min +1.97in |

| Dimensions, materials, and weights for Mounting Brackets | | | | | | | | | | | | | | | | |
|--|-----------------------------|-------------------|---------|---------|---------|---------|---------|---------|---------|----------|---------|----------|---------|----------|--------|-----------|
| Motorized Pulley | Standard Material | Optional Material | D in | F in | I in | K in | S in | T in | V in | W1 in | X in | X1 in | Z in | Z1 in | Thread | Wt lbs |
| 165LS | Cast iron with black powder | Stainless steel | 1.57 | 1.18 | 3.31 | 2.44 | 0.55 | 0.79 | 0.87 | 1.57 | 4.33 | 7.48 | 1.97 | 3.27 | M8 | 4.4 |

| Standard weights for Motorized Pulley 165LS | | | | | | | | | | | | | | | |
|---|-------|--|-------|-------|-------|-------|-------|-------|-------|-------|-------|-------|-------|-------|-------|
| Power HP | Poles | Standard weight [lbs] for standard RL [in] | | | | | | | | | | | | | |
| | | 13.78 | 15.75 | 17.72 | 19.69 | 21.65 | 23.62 | 25.59 | 27.56 | 29.53 | 31.50 | 33.46 | 35.43 | 37.40 | 39.37 |
| 0.50 | 6 | --- | 66.0 | 69.5 | 73.0 | 75.0 | 77.0 | 79.5 | 82.5 | 86.0 | 88.0 | 90.5 | 93.5 | 97.0 | 99.0 |
| | 4 | 57.5 | 61.5 | 65.0 | 68.5 | 84.0 | 73.0 | 75.0 | 78.5 | 81.5 | 84.0 | 86.0 | 89.5 | 92.5 | 95.0 |
| 1.00 | 6 | --- | 73.0 | 76.0 | 79.5 | 81.5 | 38.0 | 86.0 | 89.5 | 92.5 | 95.0 | 97.0 | 100.5 | 103.5 | 106.0 |
| | 4 | --- | 68.5 | 71.5 | 75.0 | 77.0 | 79.5 | 81.5 | 85.0 | 88.0 | 90.5 | 92.5 | 96.0 | 99.0 | 101.5 |
| 1.50 | 4 | --- | 75.0 | 78.5 | 81.5 | 84.0 | 86.0 | 88.0 | 91.5 | 95.0 | 97.0 | 99.0 | 102.5 | 106.0 | 108.0 |
| | 2 | --- | 73.0 | 76.0 | 79.5 | 81.5 | 84.0 | 86.0 | 89.5 | 92.5 | 95.0 | 97.0 | 100.5 | 103.5 | 106.0 |
| 2.00 | 2 | --- | 75.0 | 78.5 | 81.5 | 84.0 | 86.0 | 88.0 | 91.5 | 95.0 | 97.0 | 99.0 | 102.5 | 106.0 | 108.0 |
| 3.00 | 2 | --- | 81.5 | 82.5 | 84.0 | 86.0 | 88.0 | 90.5 | 93.5 | 97.0 | 99.0 | 101.5 | 104.5 | 108.0 | 110.0 |