



# 80LP-138LP Connection Diagrams

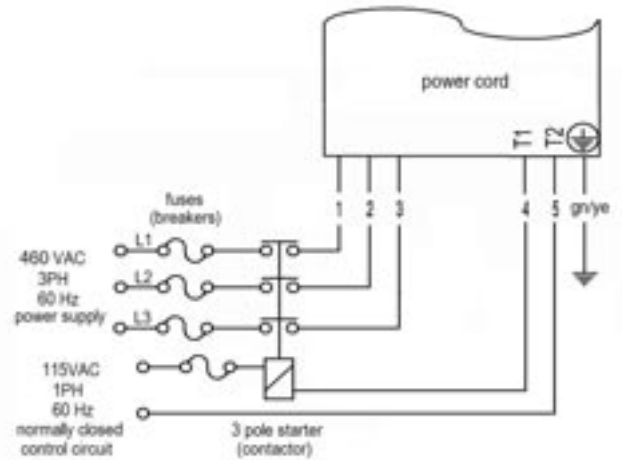
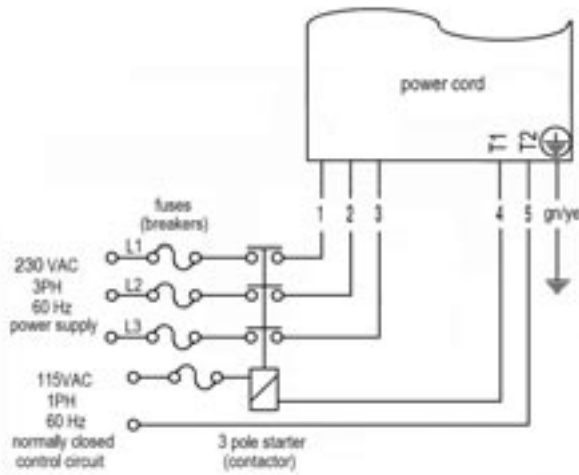
Power Cord (6 wire) - 3 Phase  
Single Voltage - US Motor

Code:

T1 & T2: Thermal protection  
gn/ye - green yellow

Low Voltage

High Voltage



# 80LP-138LP Connection Diagrams

Power Cord (9 wire) - 3 Phase  
Dual Voltage - European Motor

Code:

T1 & T2: Thermal protection  
gn/ye - green yellow

Low Voltage

High Voltage

