



# 113LP - 138LP Connection Diagrams

Power Cord (7 wire) - 1 Phase - Single Voltage  
US Motor - Internal Thermal Protection Switch  
in series with motor

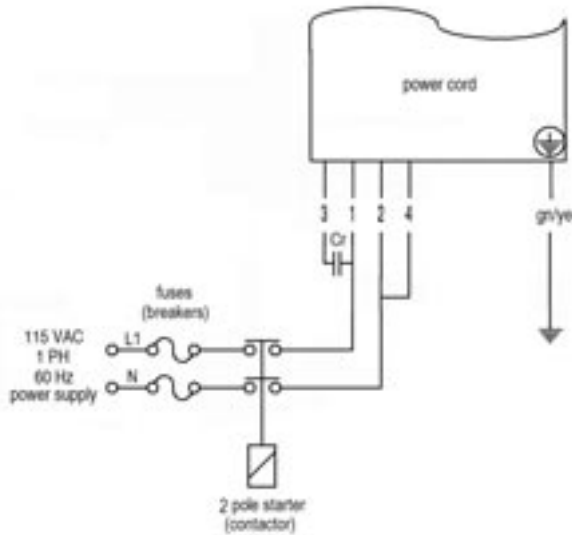
Code:

Cr: Run Capacitor

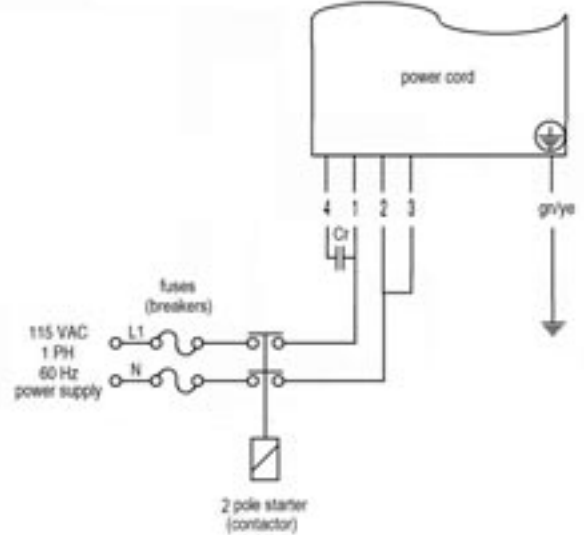
gn/ye - green yellow

two wires are not used

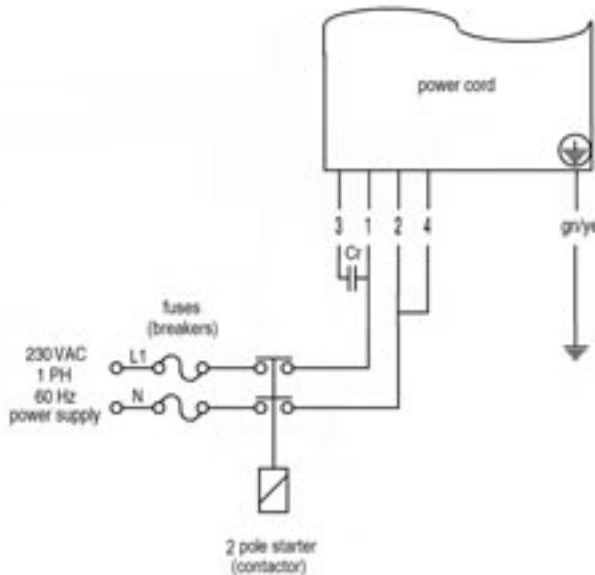
**Low Voltage - Clockwise Rotation**



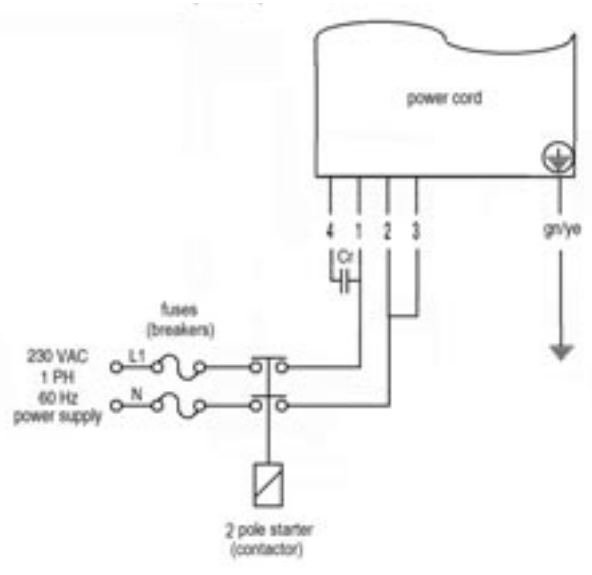
**Low Voltage - Counterclockwise Rotation**



**High Voltage - Clockwise Rotation**



**High Voltage - Counterclockwise Rotation**



**NOTE:**

The thermal switch in this single phase motor is installed in series with motor winding. Therefore, the switch can deactivate and re-energize motor automatically.